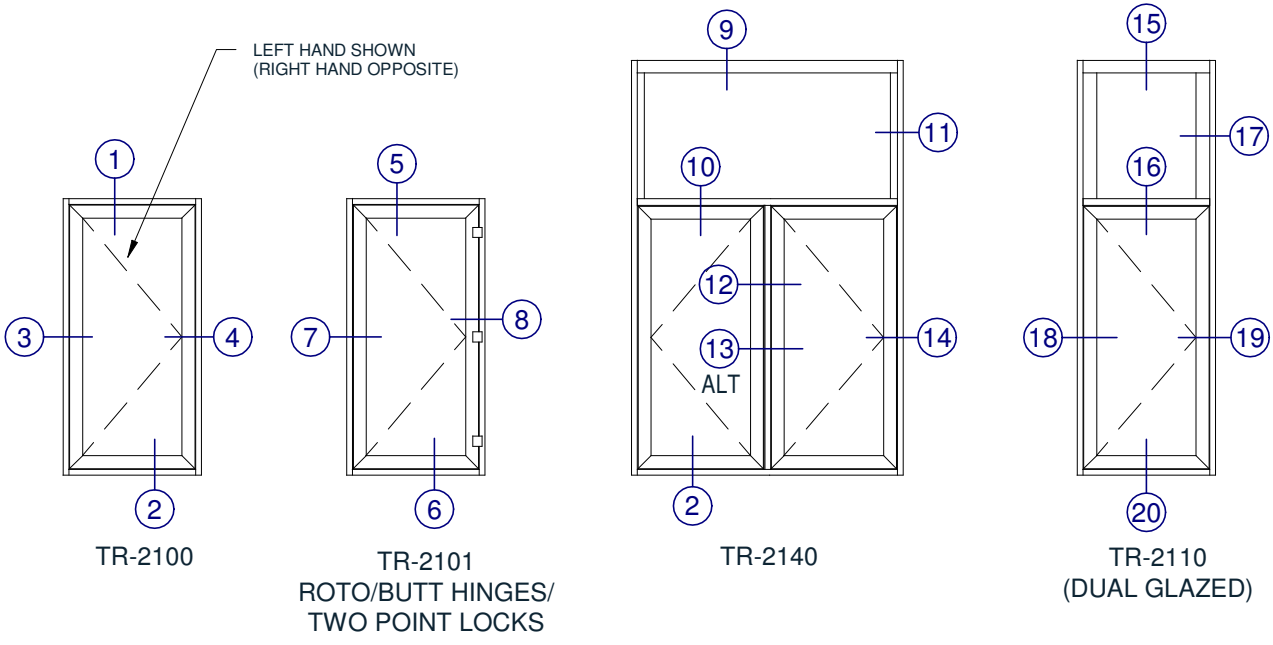
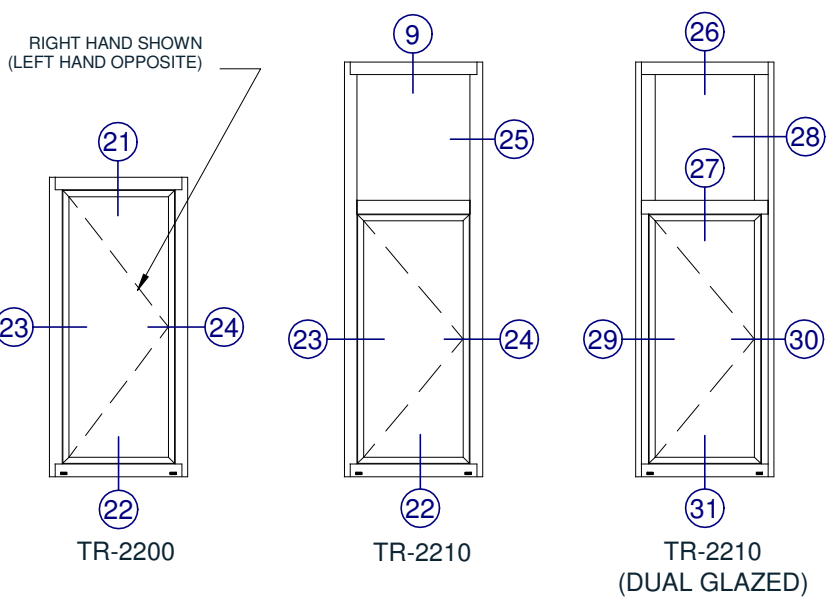


ELEVATIONS

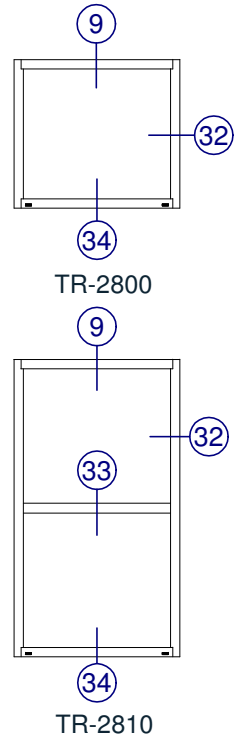
SERIES TR-2100
CASEMENT OUTSWING



SERIES TR-2200
CASEMENT INSWING



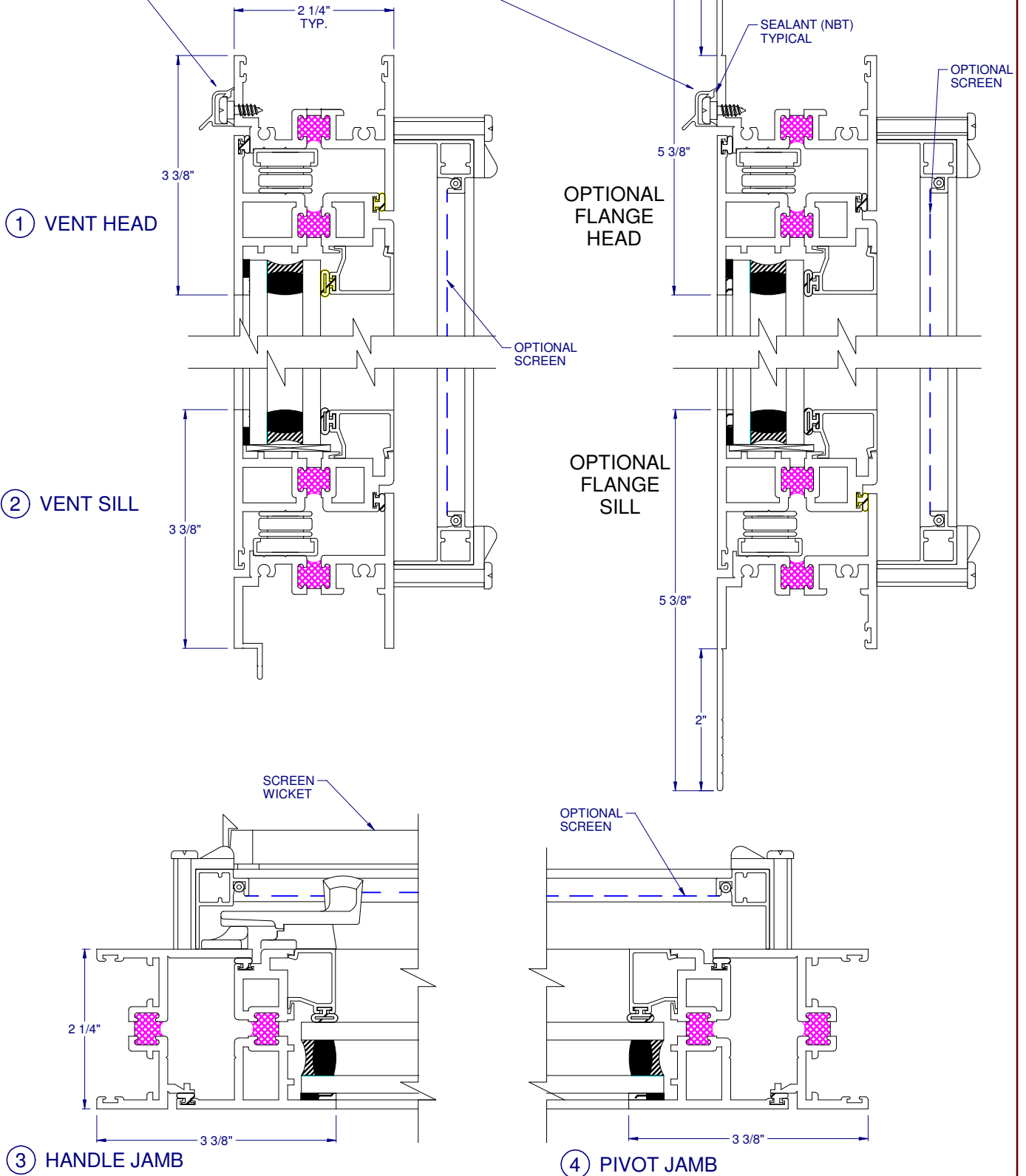
SERIES TR-2800
FIXED



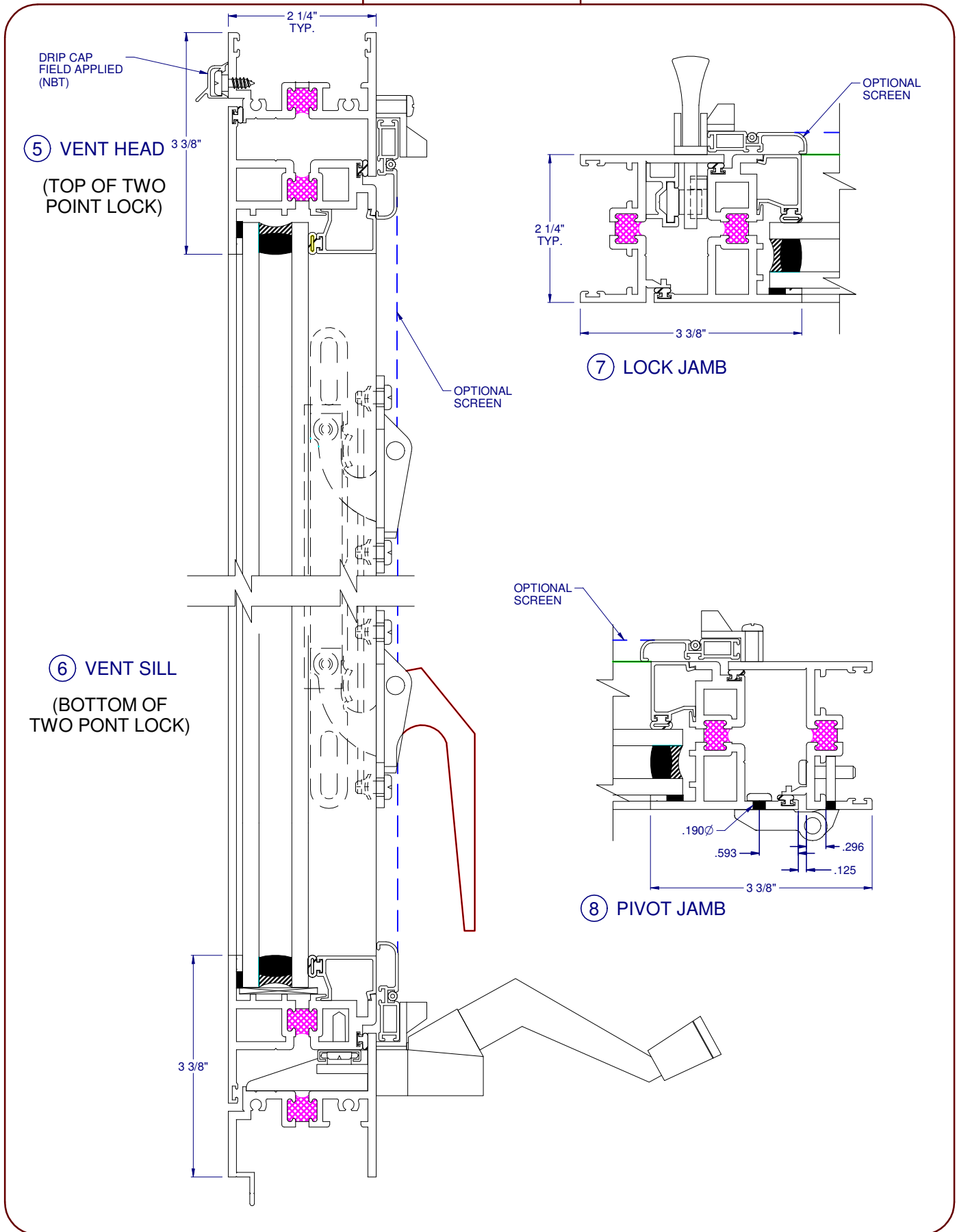
FOR ADDITIONAL TR-2800 DETAILS
SEE "FIXED WINDOW II" SECTION

HALF SCALE SECTIONS

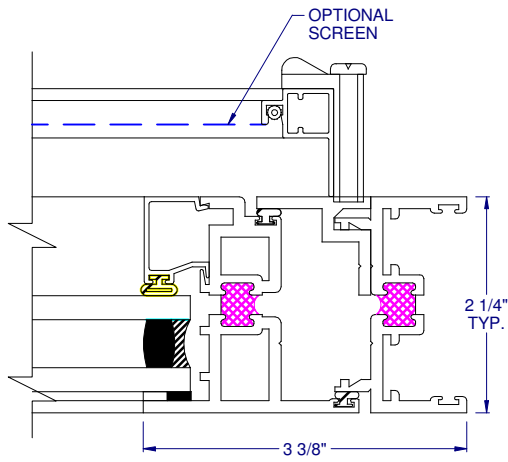
DRIP CAP NOT REQUIRED WHEN USING
PANNING OR RECEPTOR
FIELD APPLIED (NBT)



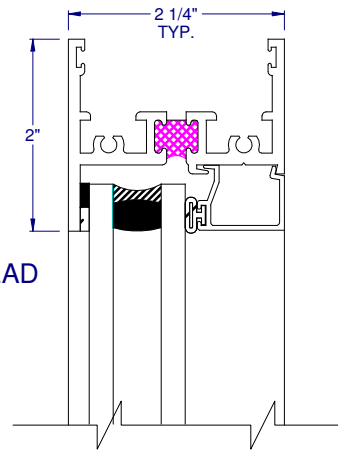
HALF SCALE SECTIONS



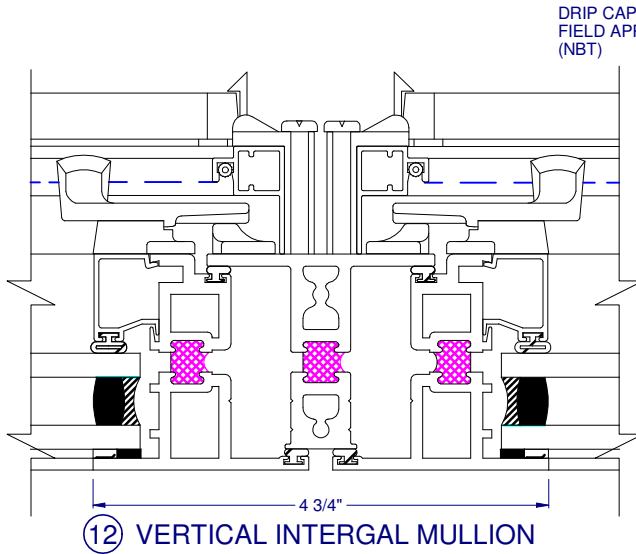
HALF SCALE SECTIONS



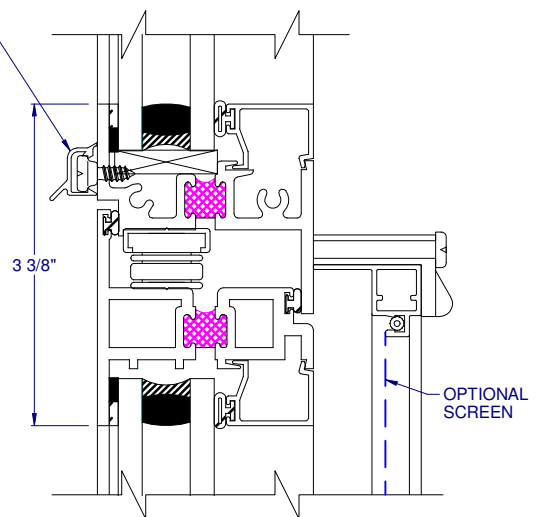
⑨ FIXED HEAD



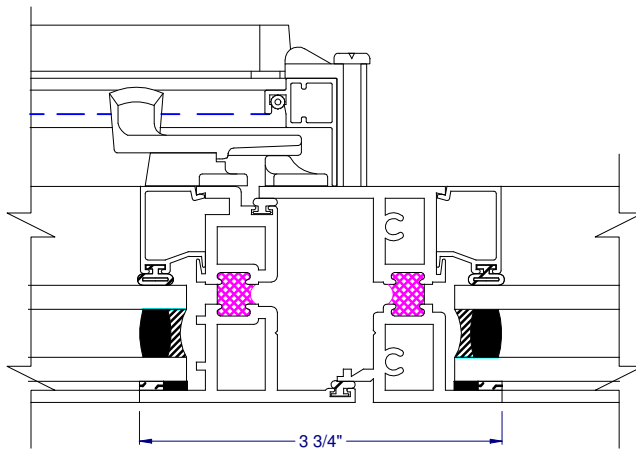
⑭ PIVOT JAMB



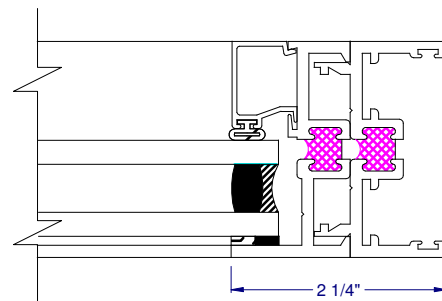
DRIP CAP
FIELD APPLIED
(NBT)



⑩ HORIZONTAL INTEGRAL MULLION



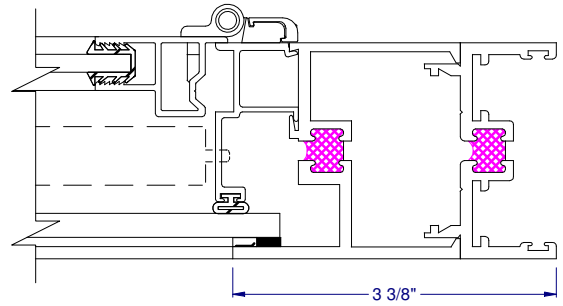
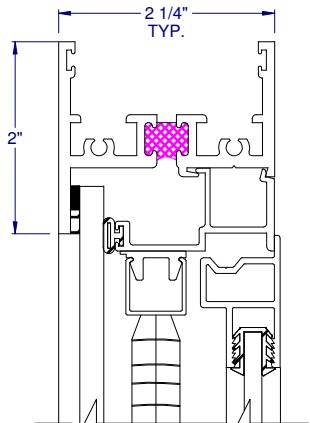
⑬ VERTICAL INTERGAL MULLION
ALT.



⑪ FIXED JAMB

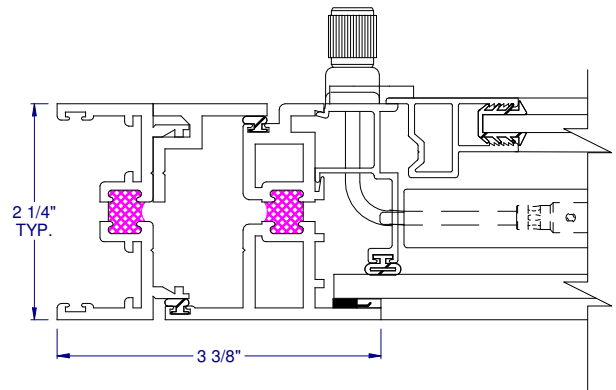
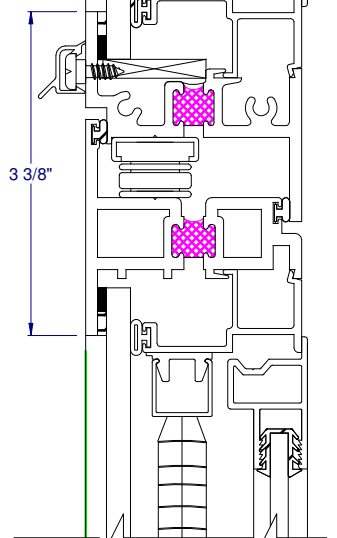
HALF SCALE SECTIONS

⑮ FIXED HEAD
(DUAL GLAZED)



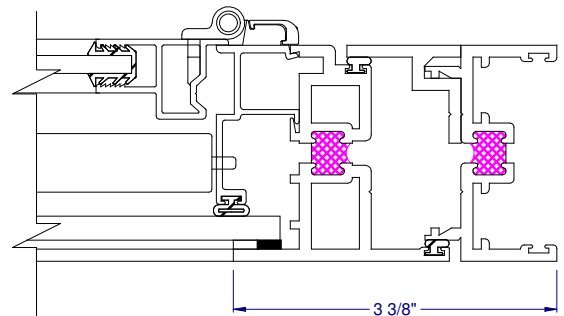
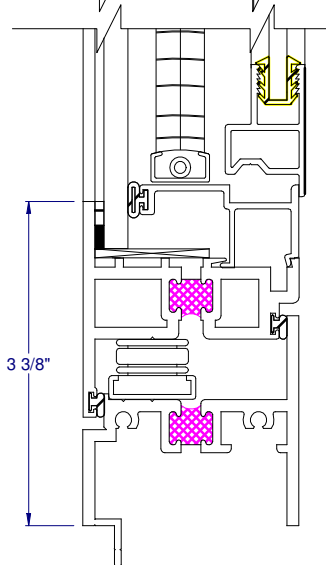
⑰ FIXED JAMB
(DUAL GLAZED)

⑯ HORIZ. INTEGRAL
MULLION
FIXED/VENT
(DUAL GLAZED)



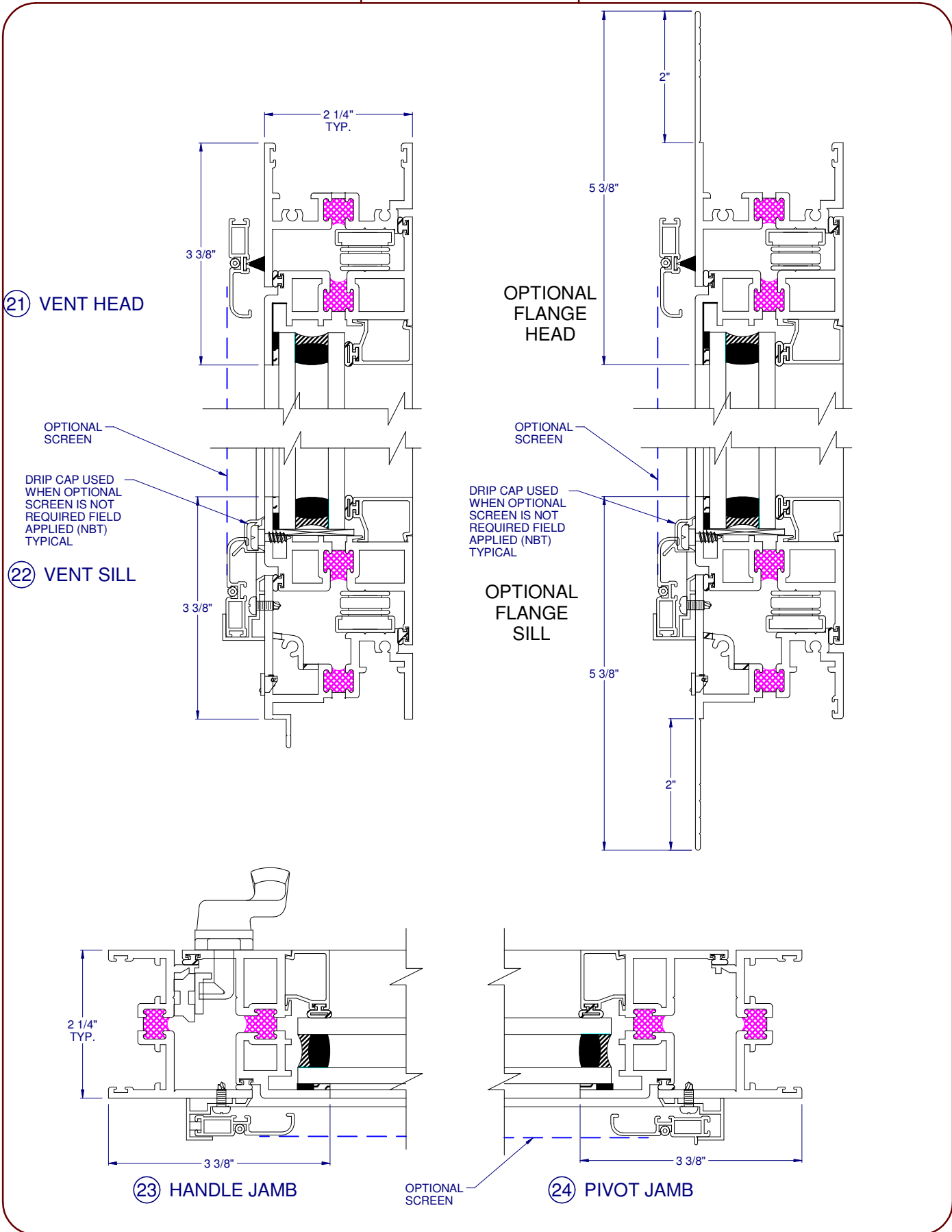
⑱ HANDLE JAMB
(DUAL GLAZED)

⑳ VENT SILL
(DUAL GLAZED)



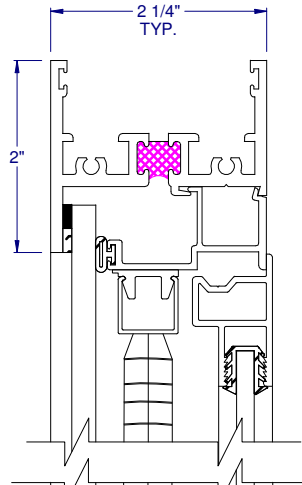
㉑ PIVOT JAMB
(DUAL GLAZED)

HALF SCALE SECTIONS

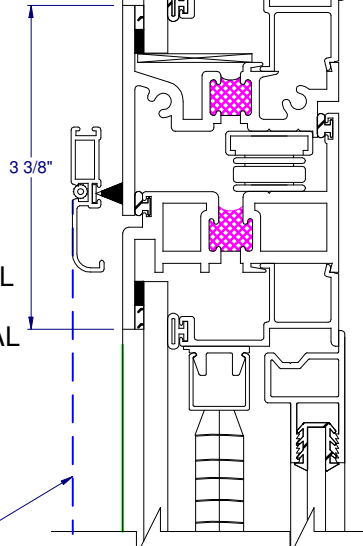


HALF SCALE SECTIONS

②⑥ FIXED HEAD
(DUAL GLAZED)

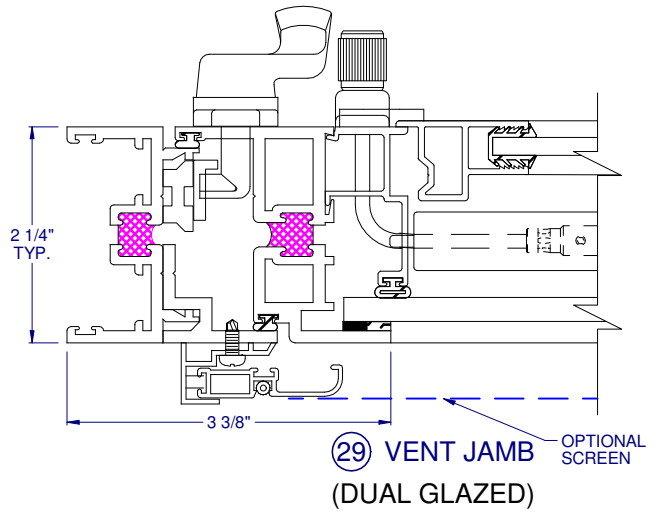
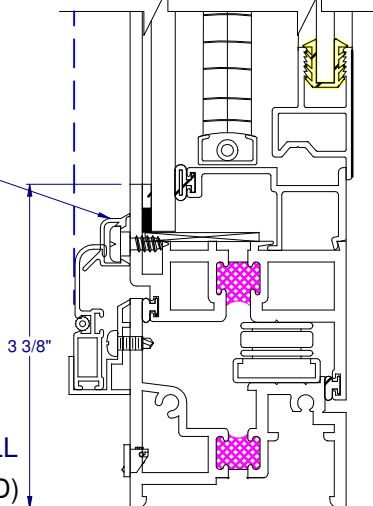


②⑦ HORIZ. INTEGRAL MULLION
FIXED/VENT (DUAL GLAZED)

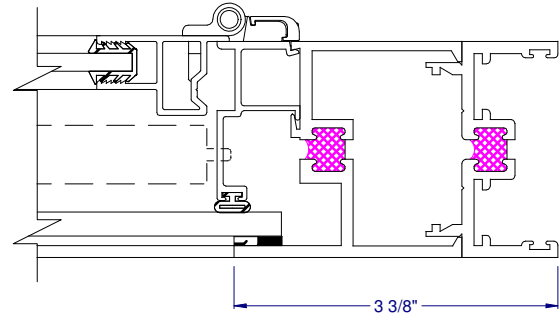


DRIP CAP USED WHEN OPTIONAL SCREEN IS NOT REQUIRED FIELD APPLIED (NBT) TYPICAL

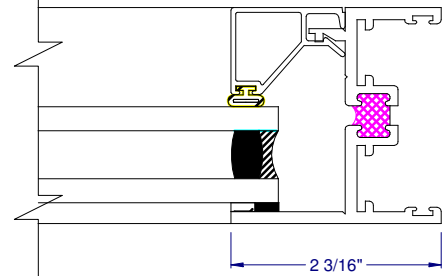
③① VENT SILL
(DUAL GLAZED)



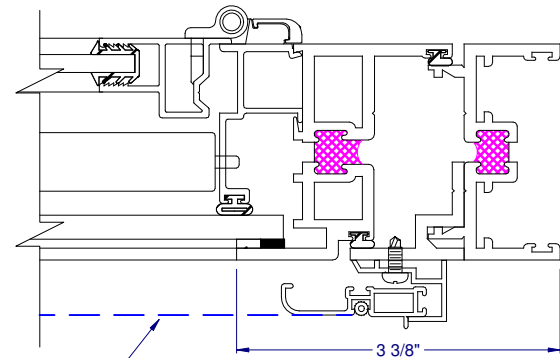
②⑨ VENT JAMB
(DUAL GLAZED)



②⑧ FIXED JAMB
(DUAL GLAZED)

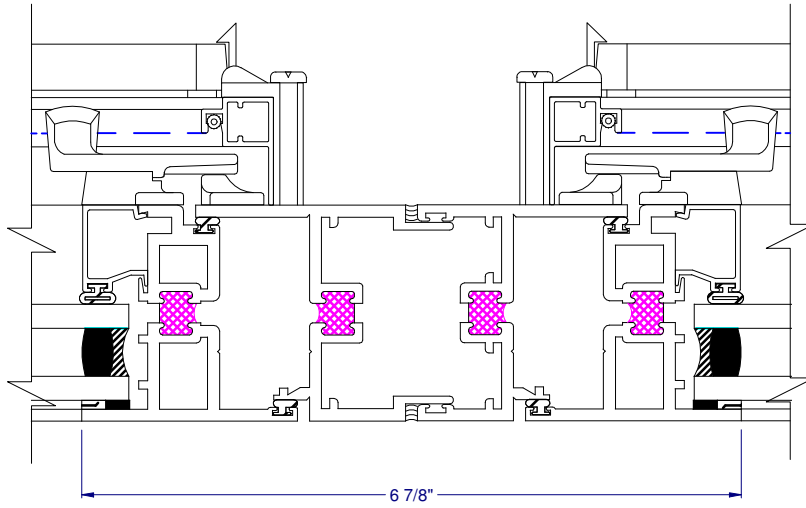


②⑤ FIXED JAMB

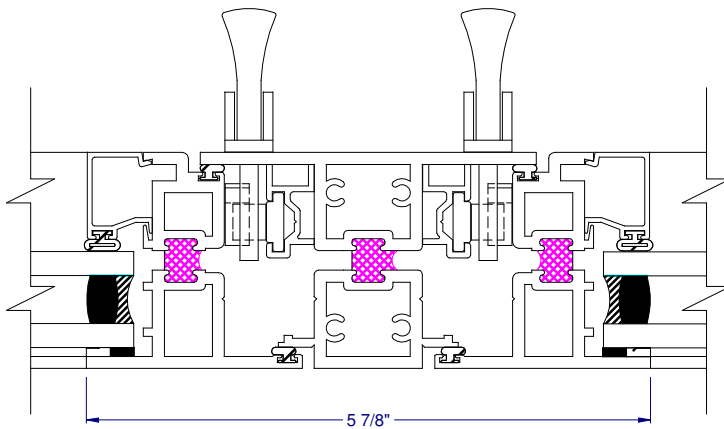


③⑩ PIVOT JAMB
(DUAL GLAZED)

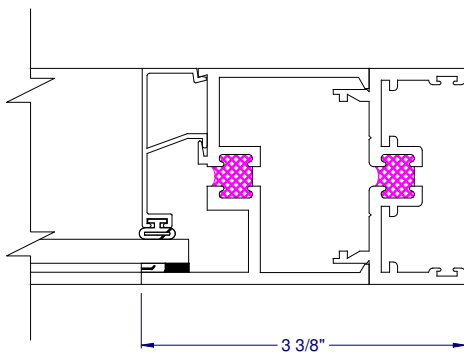
HALF SCALE SECTIONS



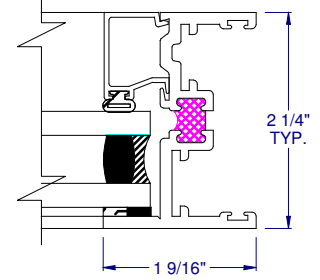
OPTIONAL VERTICAL EXPANSION MULLION
(VENT/VENT)



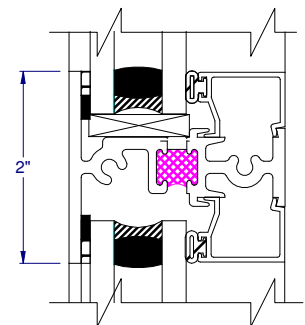
OPTIONAL VERTICAL MULLION
(VENT/VENT TWO POINT LOCKS)



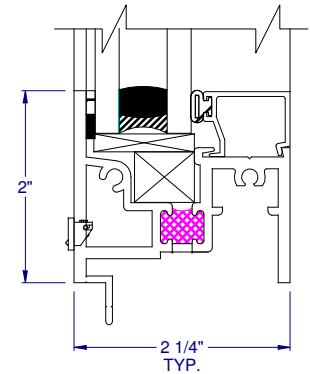
OPTIONAL SINGLE GLAZING



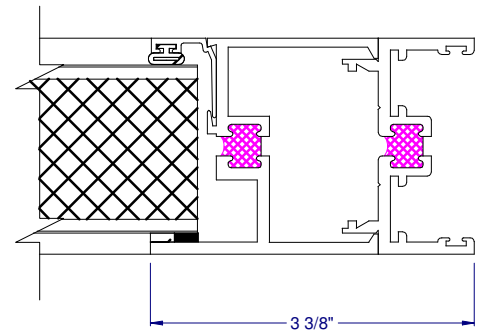
③② TR-2800 JAMB



③③ TR-2800 HORIZ. INTEGRAL MULLION



③④ TR-2800 SILL



OPTIONAL 1-3/4" (MAXIMUM)
PANEL GLAZING