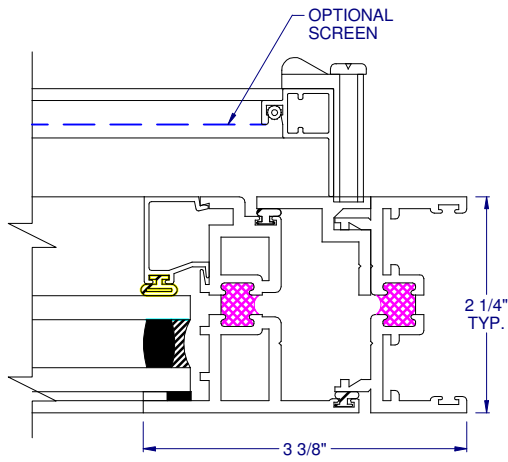
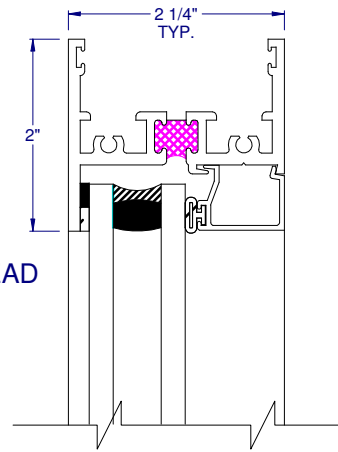


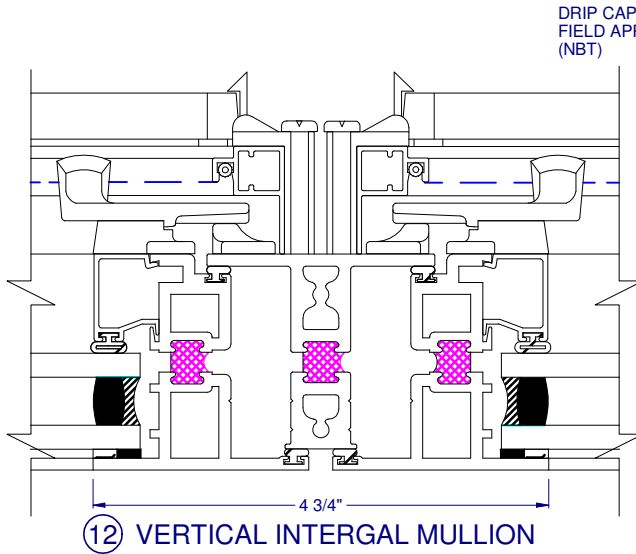
HALF SCALE SECTIONS



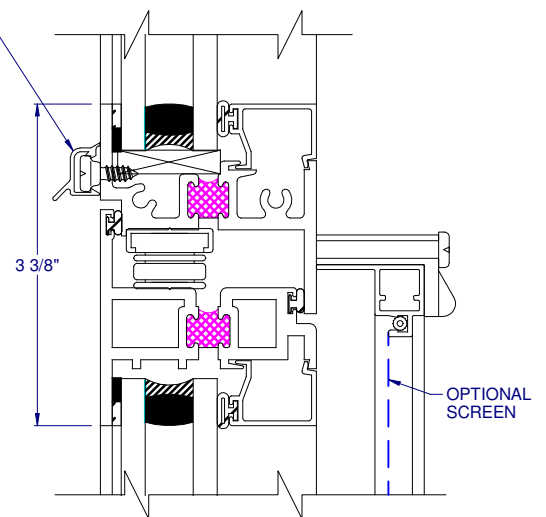
⑨ FIXED HEAD



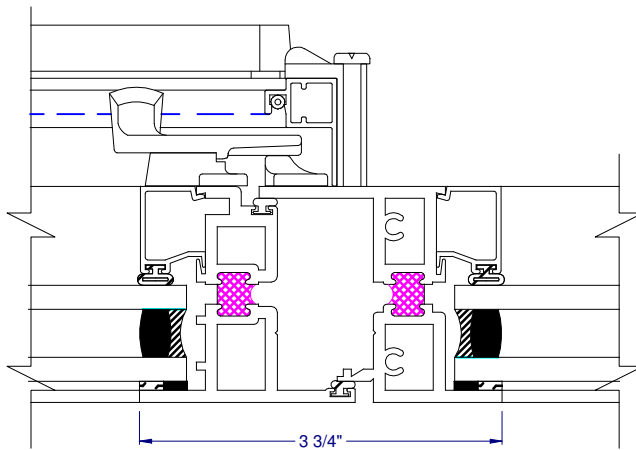
⑭ PIVOT JAMB



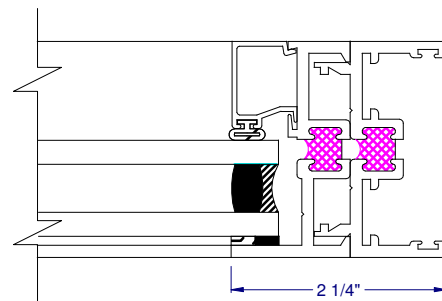
DRIP CAP
FIELD APPLIED
(NBT)



⑩ HORIZONTAL INTEGRAL MULLION



⑬ VERTICAL INTERGAL MULLION
ALT.



⑪ FIXED JAMB