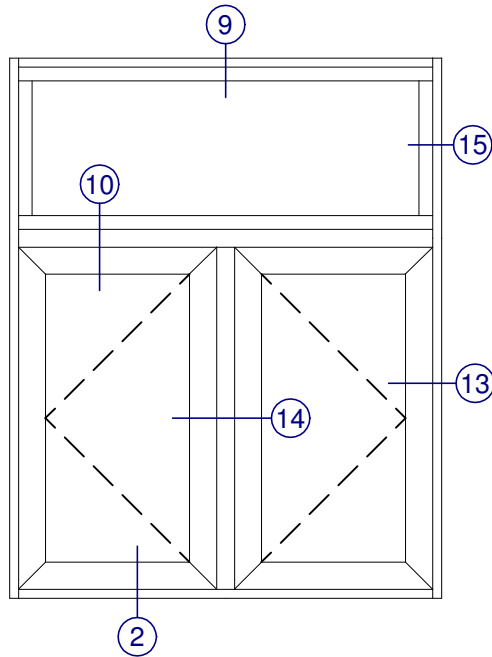
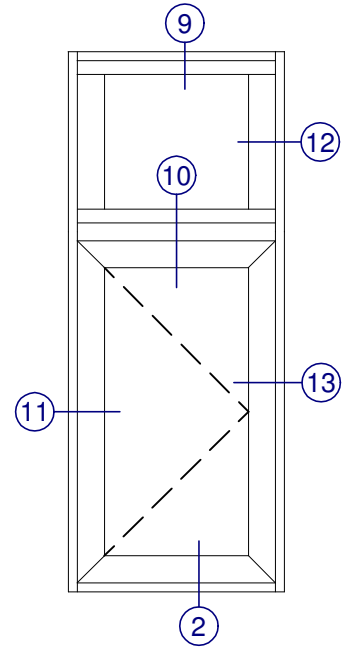
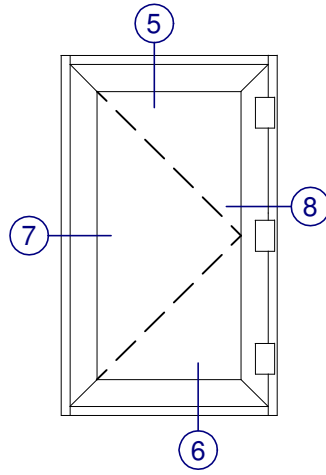
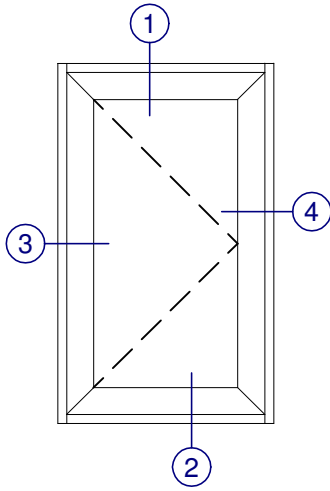
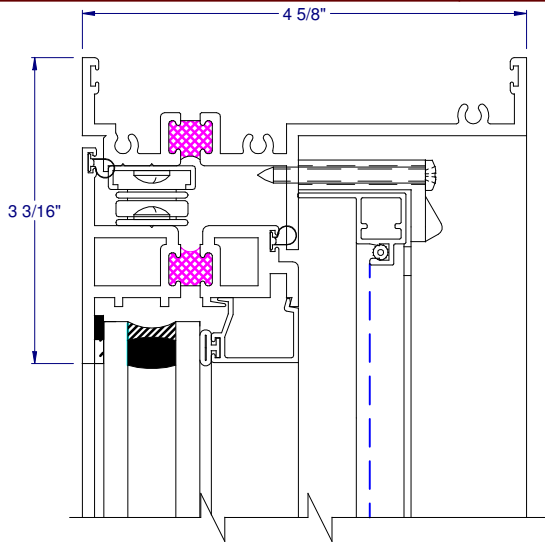


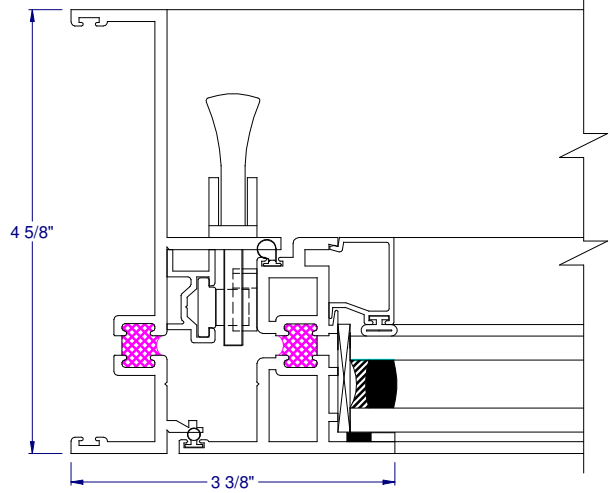
ELEVATIONS



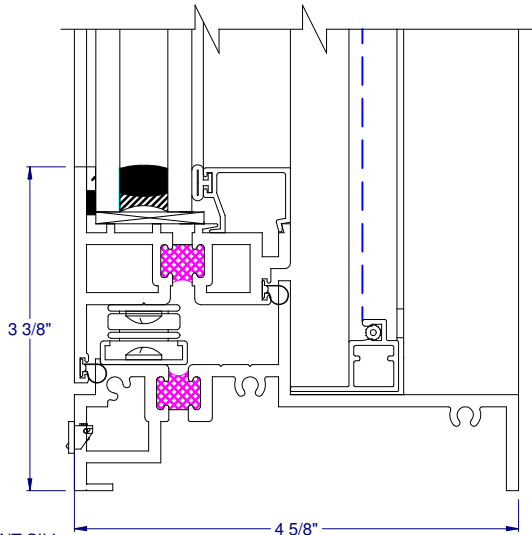
HALF SCALE SECTIONS



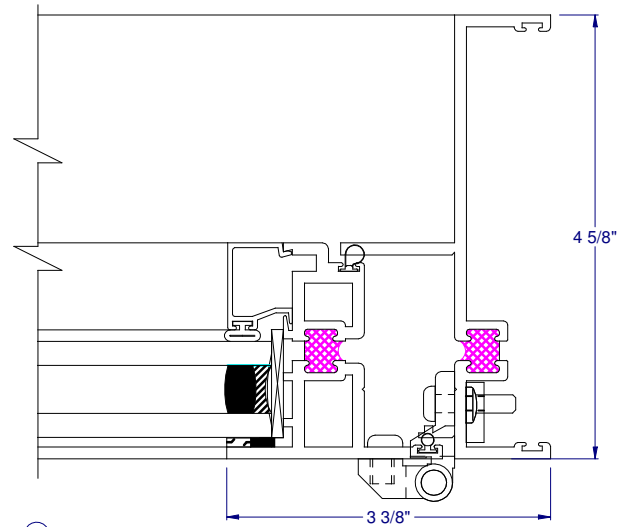
① VENT HEAD



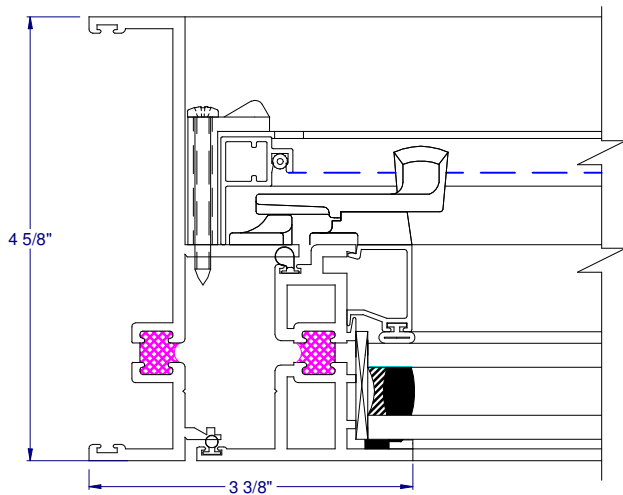
⑦ LOCK JAMB



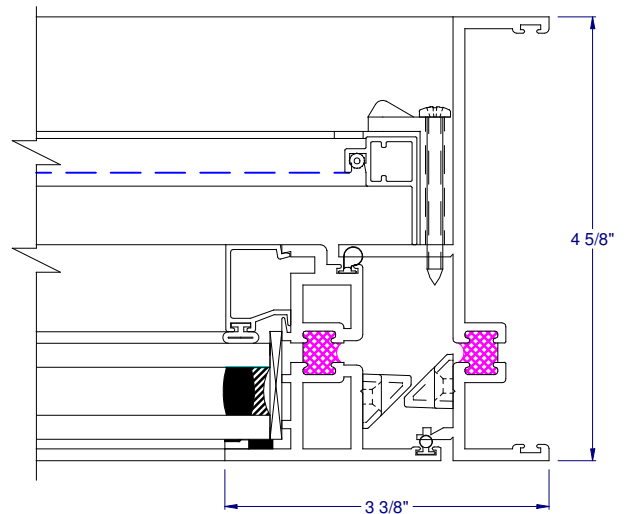
② VENT SILL



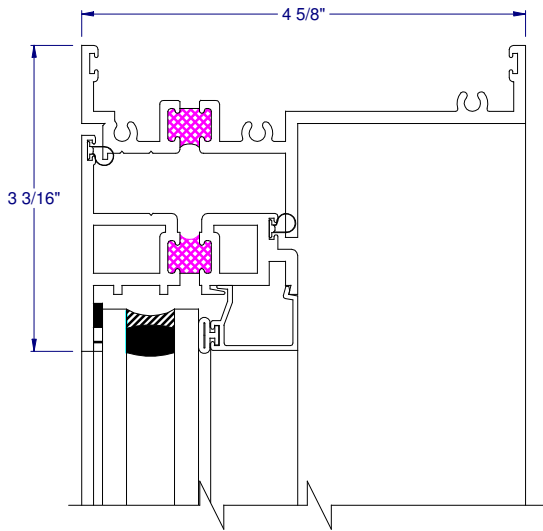
⑧ PIVOT JAMB



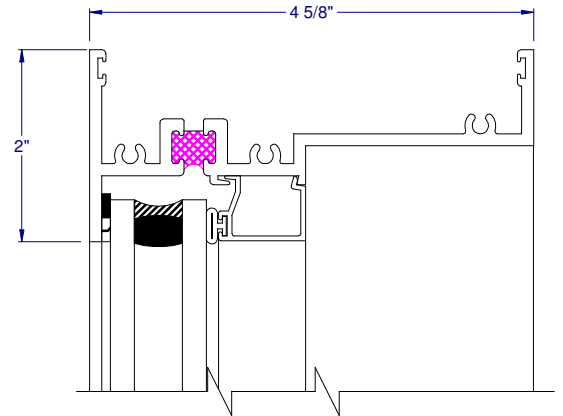
③ HANDLE JAMB



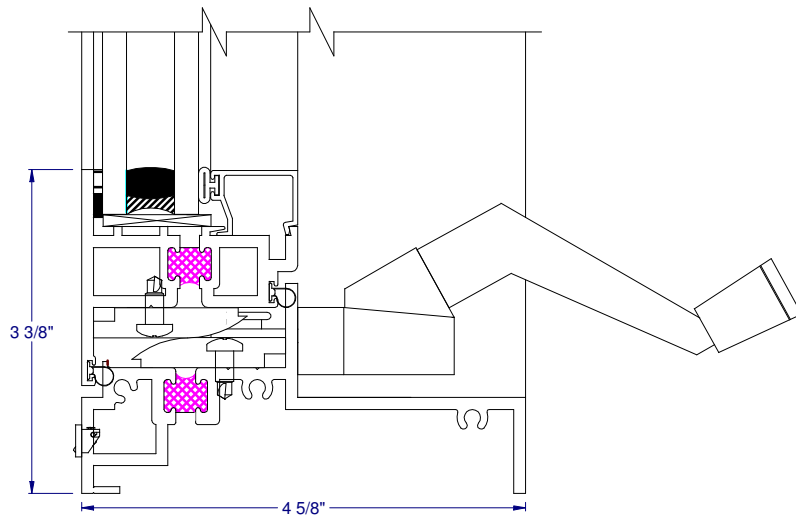
④ PIVOT JAMB



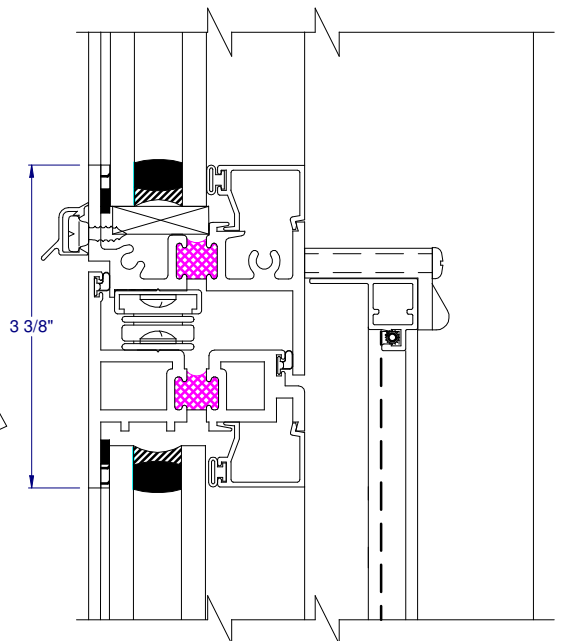
⑤ HEAD



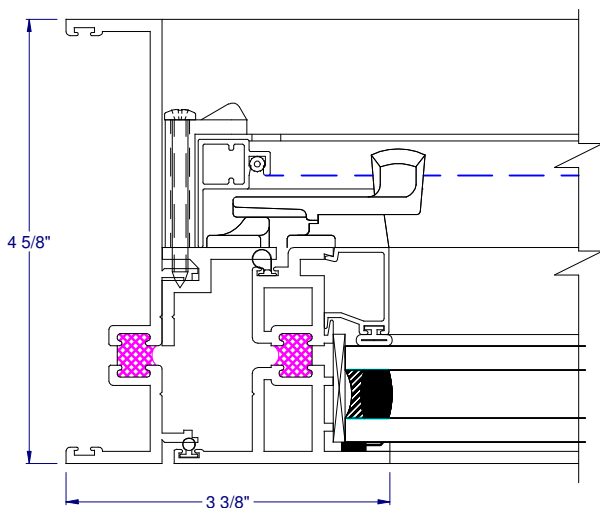
⑨ FIXED HEAD



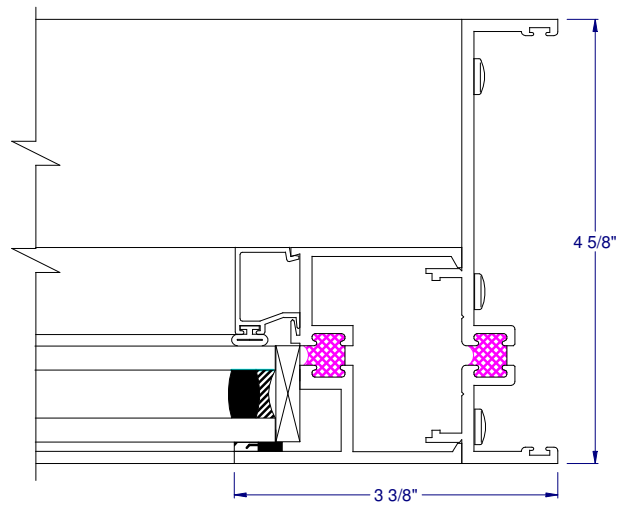
⑥ SILL W/ ROTO OPERATOR



⑩ HORIZ. INTERGAL MULLION FIXED/VENT



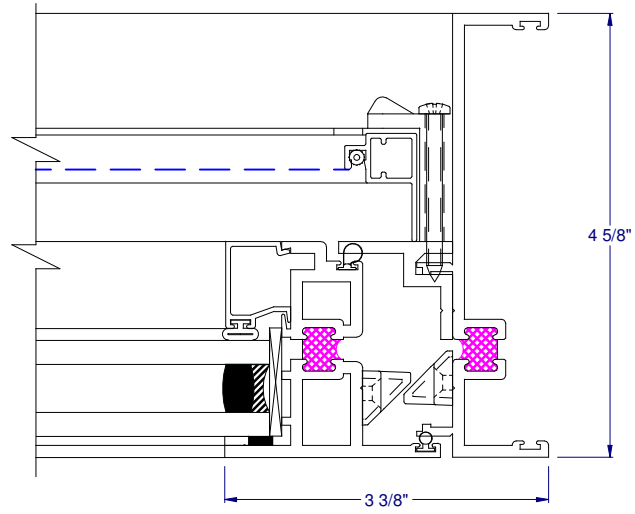
⑪ HANDLE JAMB



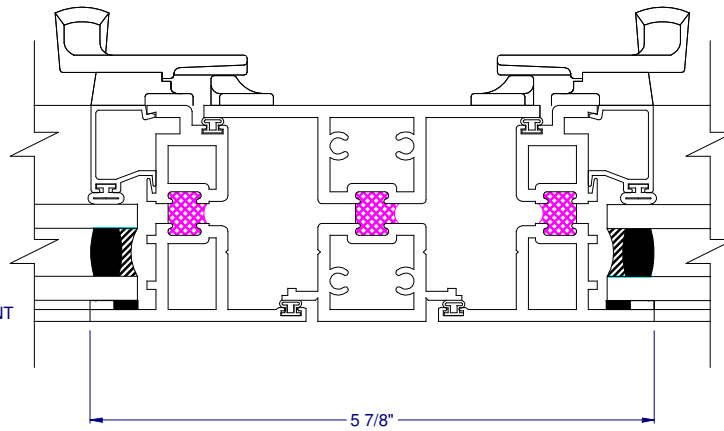
⑫ FIXED EQUAL SITELINE JAMB

HALF SCALE SECTIONS

⑬ PIVOT JAMB



⑭ VERT. INTERGAL MULLION VENT/VENT



⑮ FIXED JAMB

