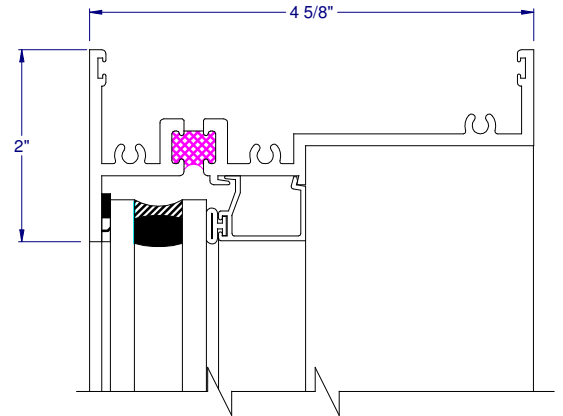
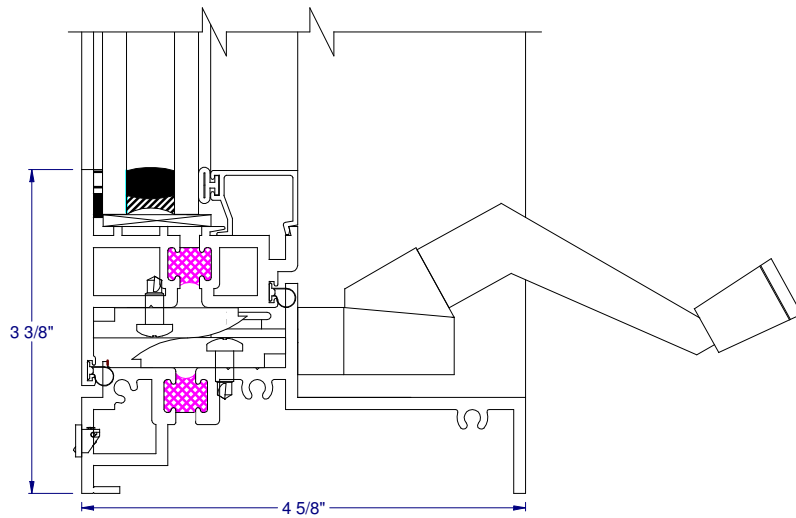


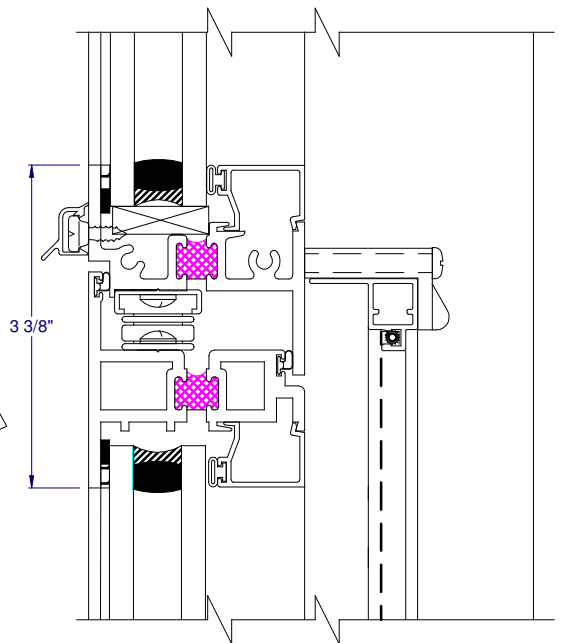
⑤ HEAD



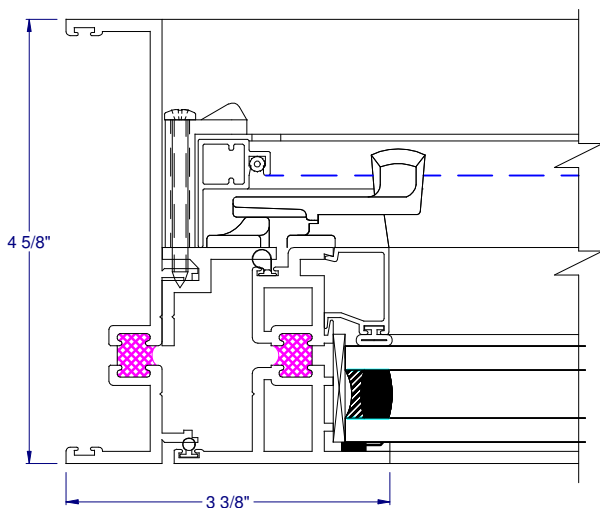
⑨ FIXED HEAD



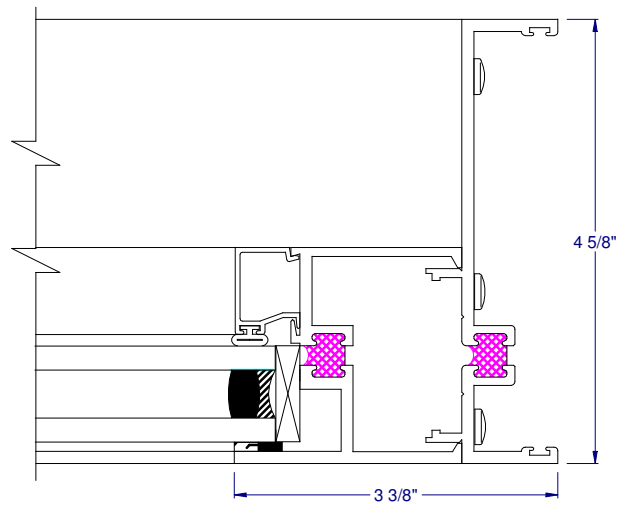
⑥ SILL W/ ROTO OPERATOR



⑩ HORIZ. INTERGAL MULLION FIXED/VENT



⑪ HANDLE JAMB



⑫ FIXED EQUAL SÍTELINE JAMB