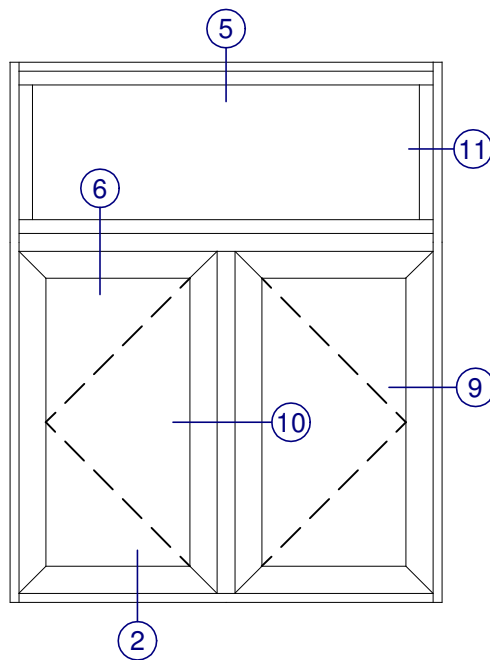
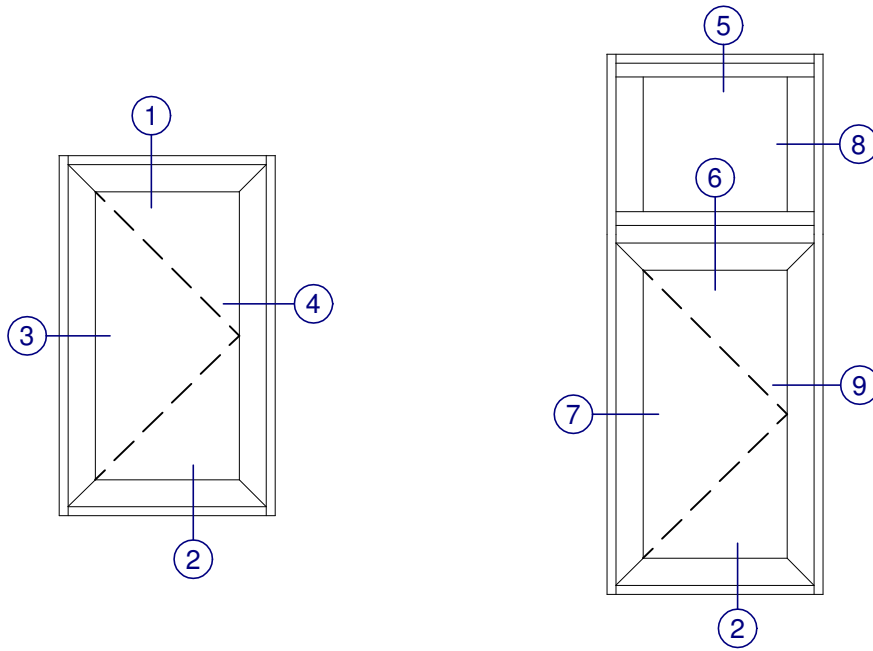
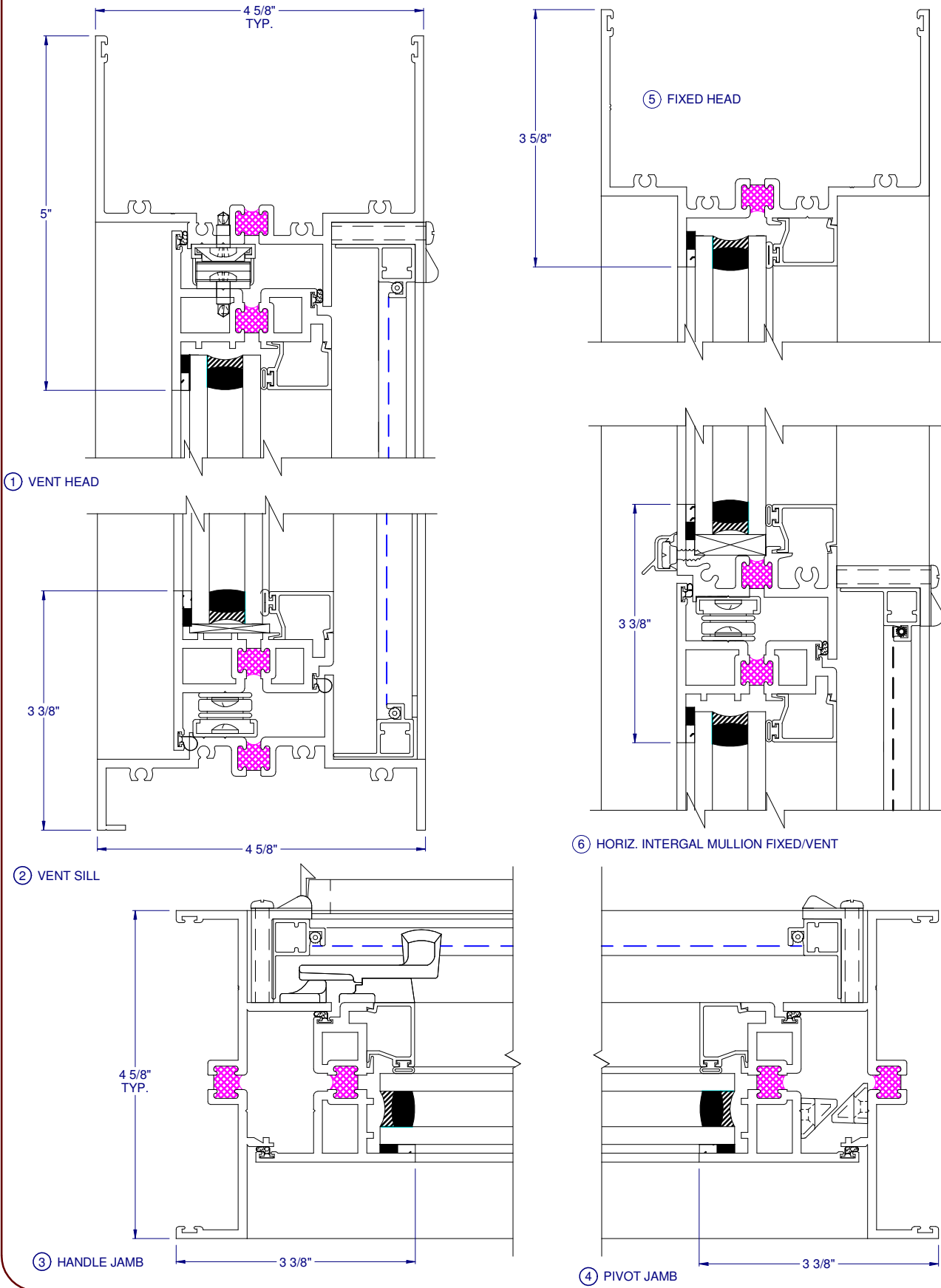


ELEVATIONS  
CASEMENT OUTSWING



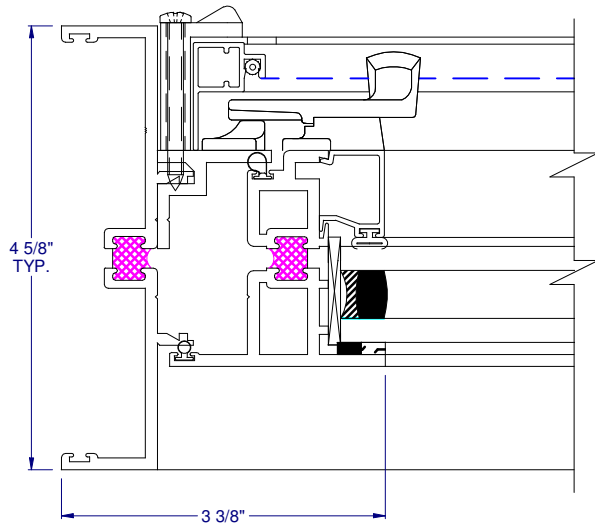
**HALF SCALE SECTIONS**

**CASEMENT OUTSWING**

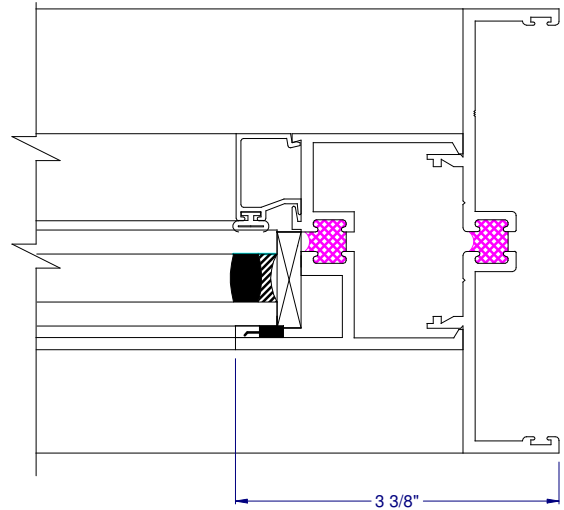


**HALF SCALE SECTIONS**

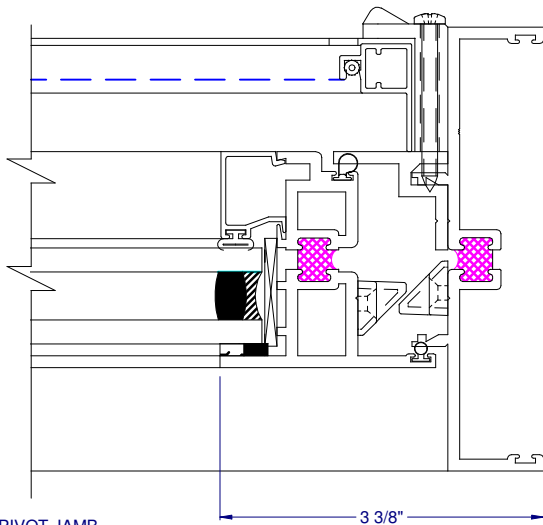
CASEMENT OUTSWING



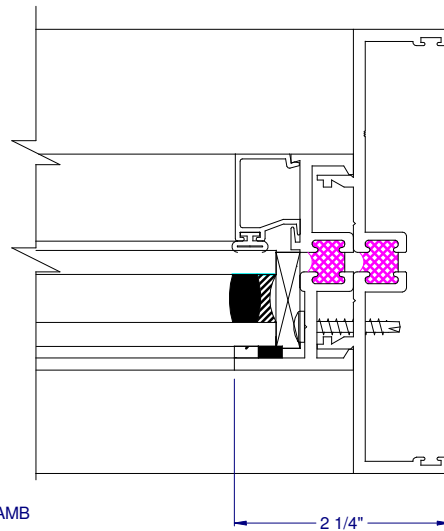
⑦ HANDLE JAMB



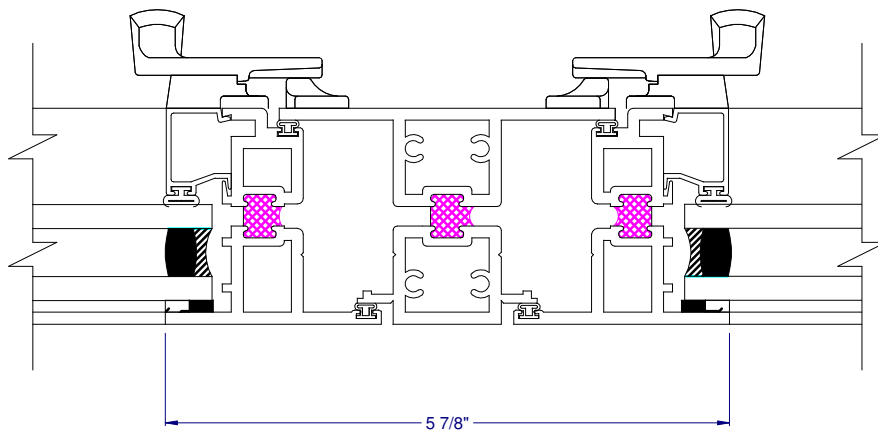
⑧ FIXED EQUAL SITELINE JAMB



⑬ PIVOT JAMB



⑮ FIXED JAMB



⑭ VERT. INTERGAL MULLION VENT/VENT