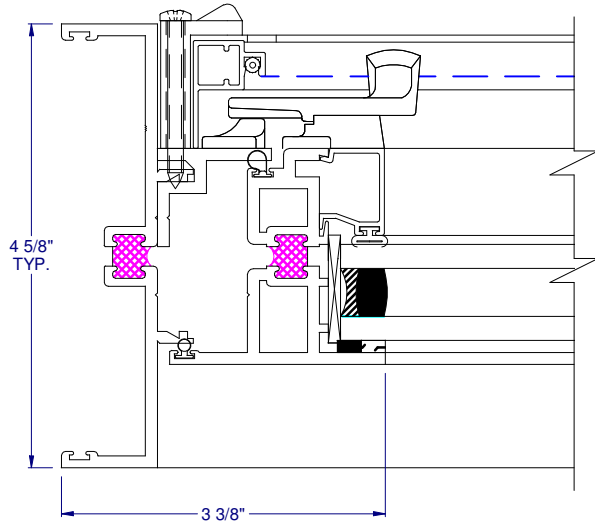
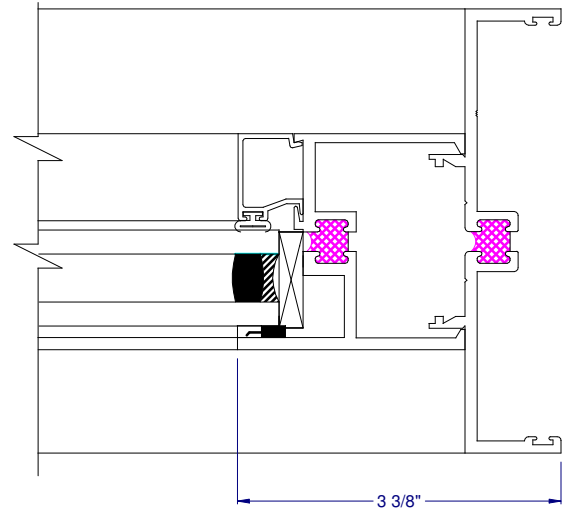


HALF SCALE SECTIONS

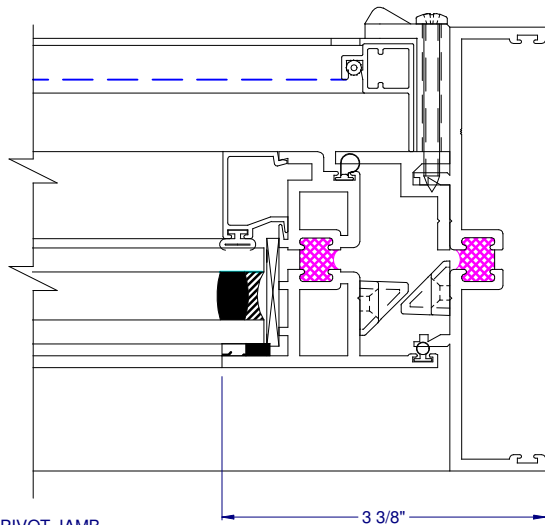
CASEMENT OUTSWING



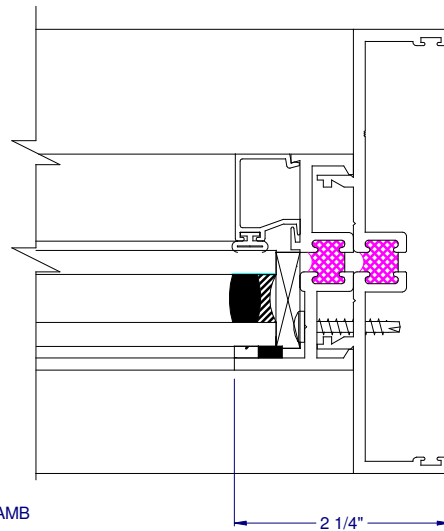
⑦ HANDLE JAMB



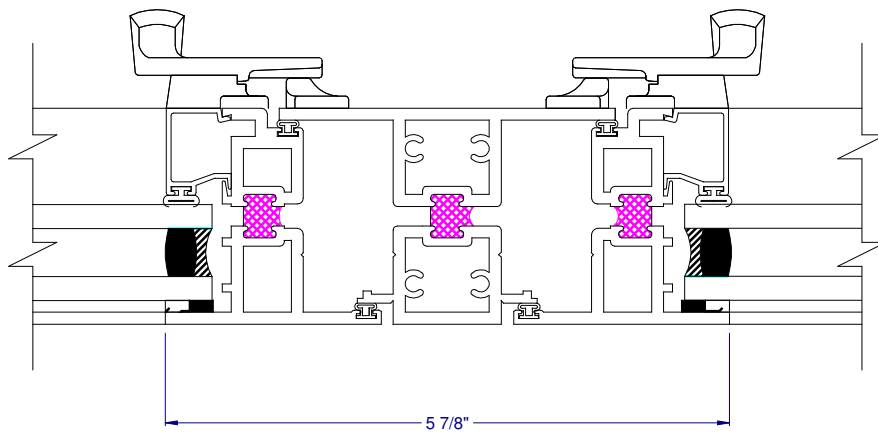
⑧ FIXED EQUAL SITELINE JAMB



⑬ PIVOT JAMB



⑮ FIXED JAMB



⑭ VERT. INTERGAL MULLION VENT/VENT