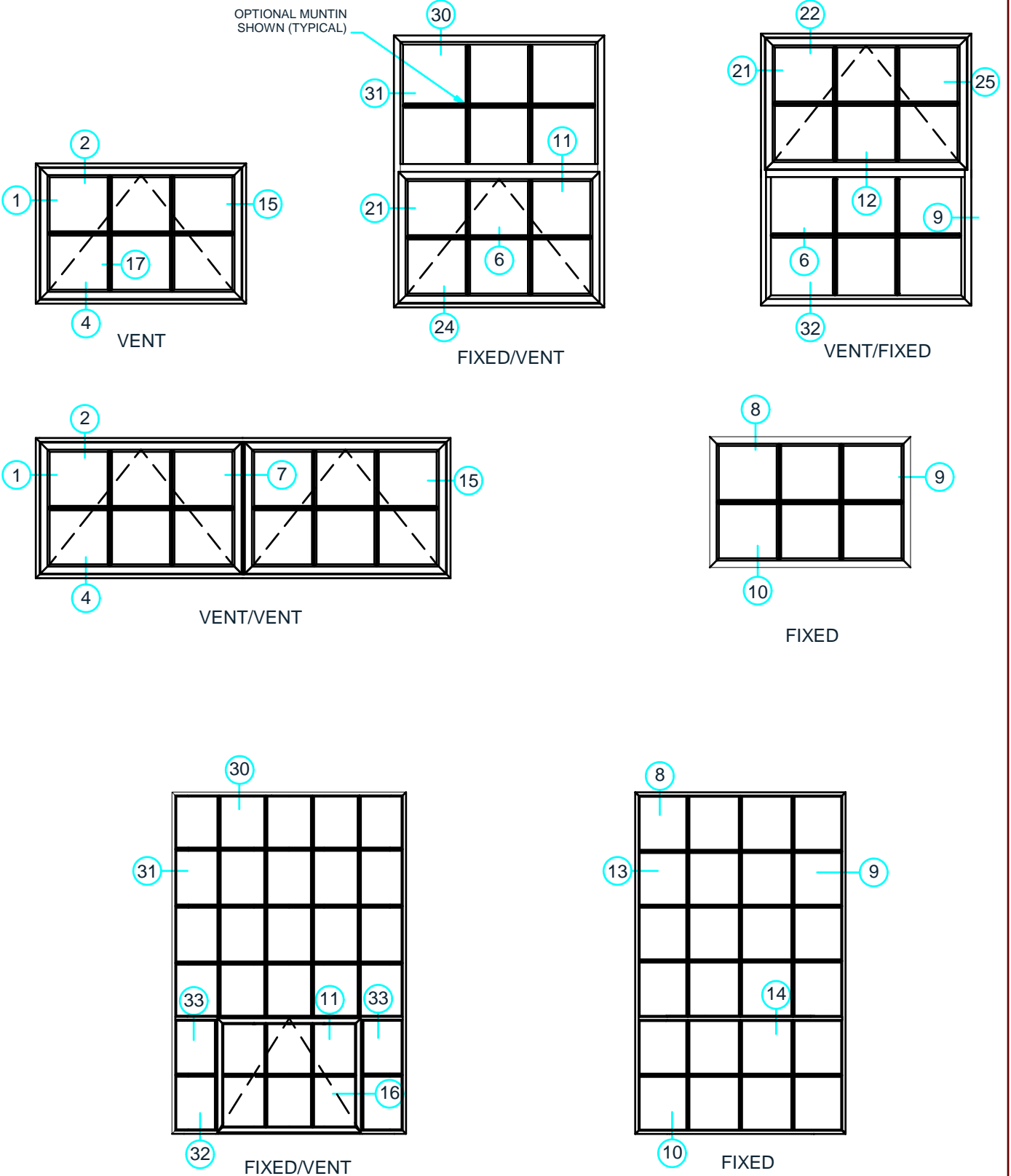
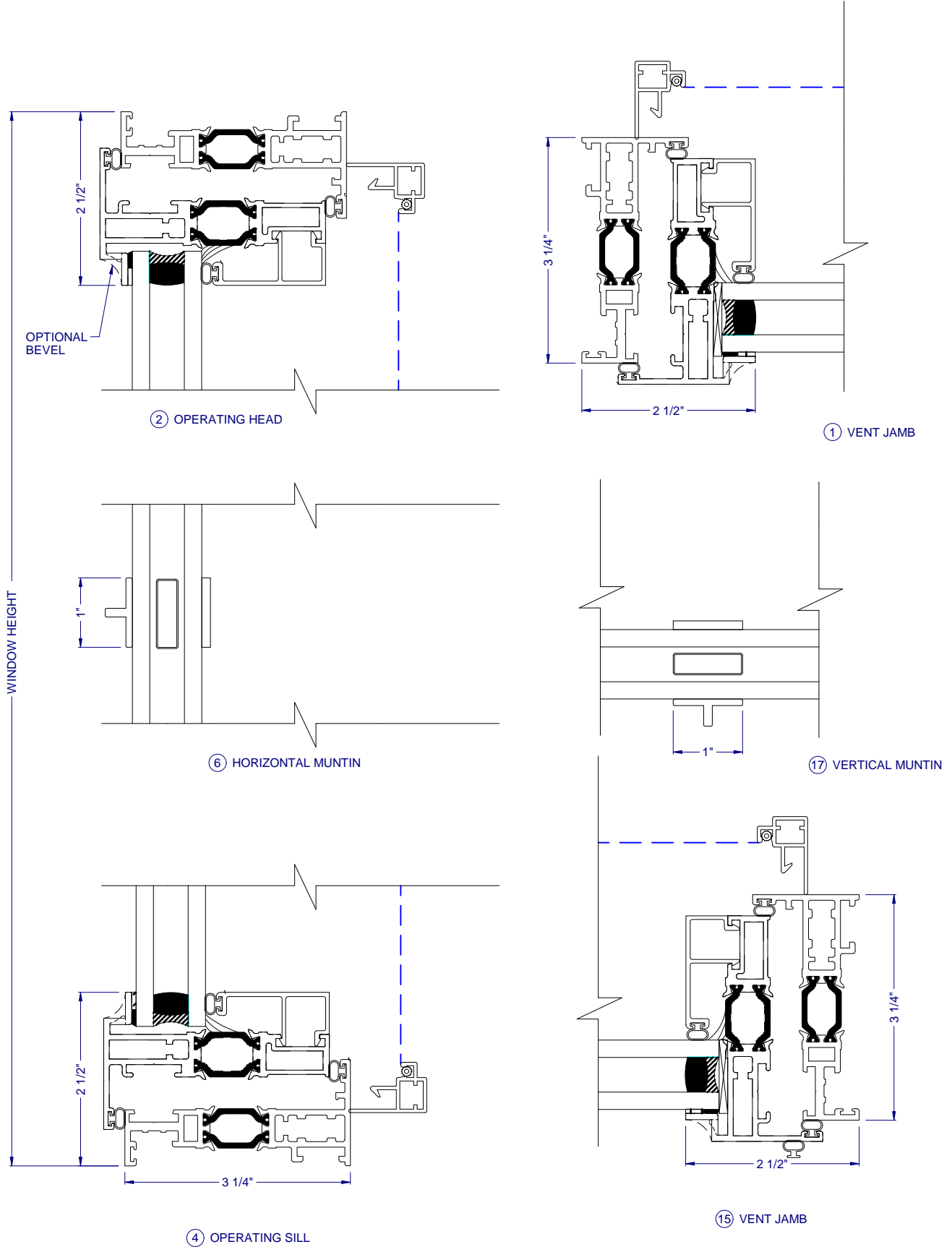


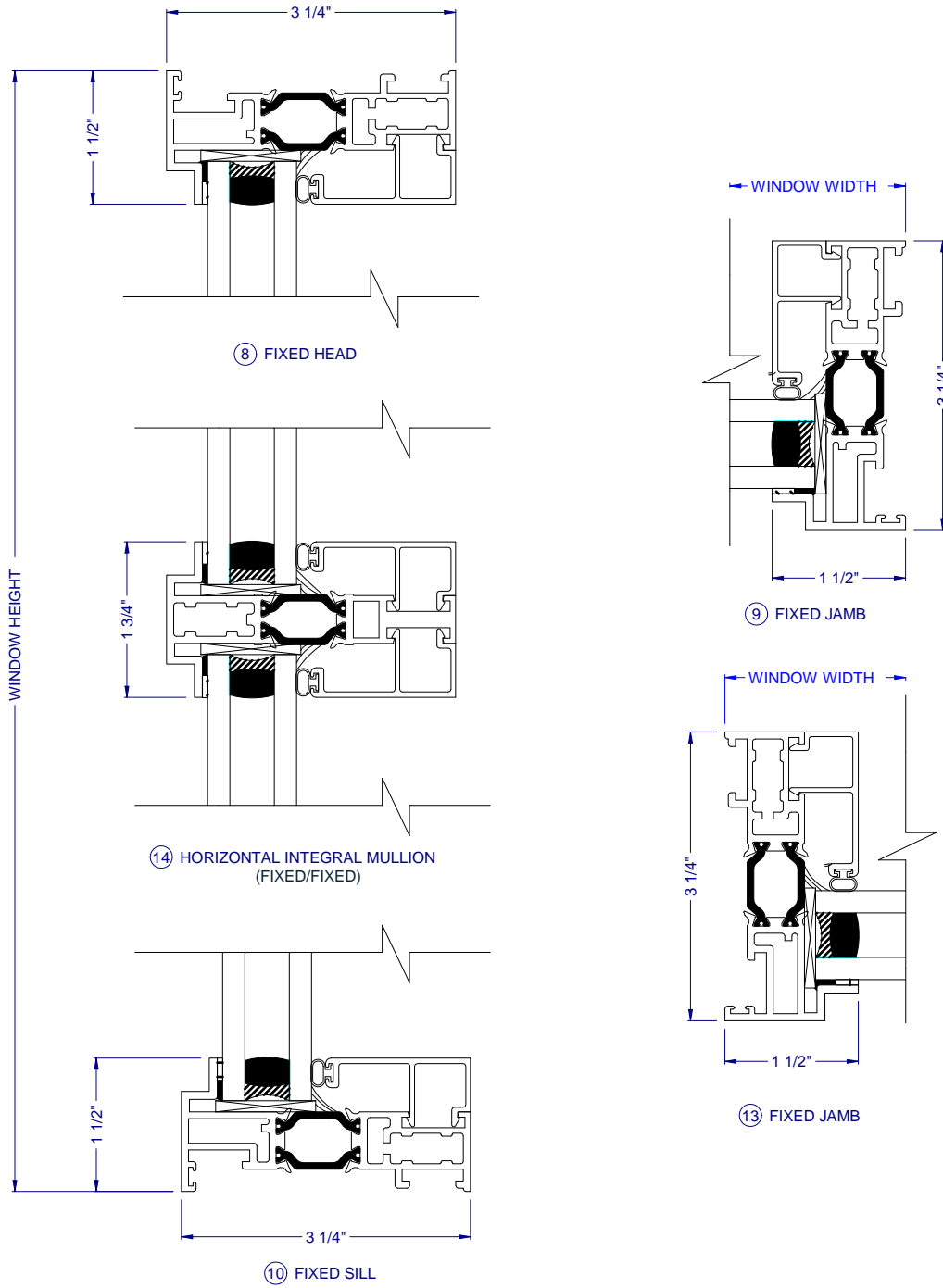
ELEVATIONS



HALF SCALE SECTIONS

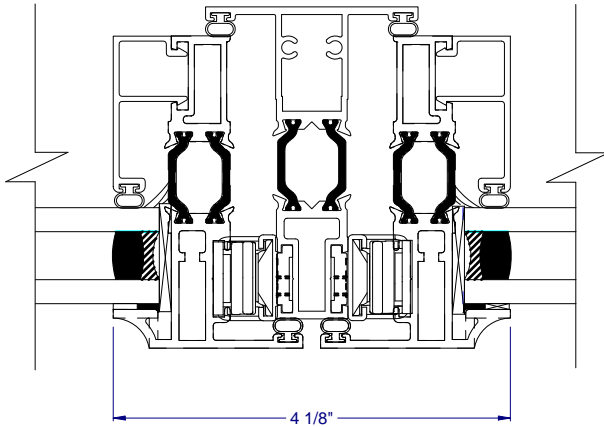


HALF SCALE SECTIONS



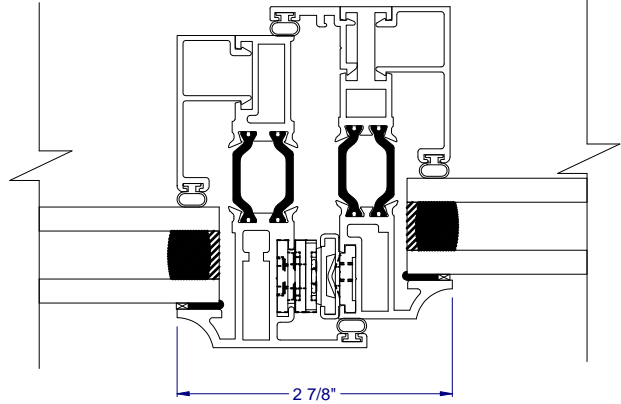
HALF SCALE SECTIONS

← WINDOW WIDTH →

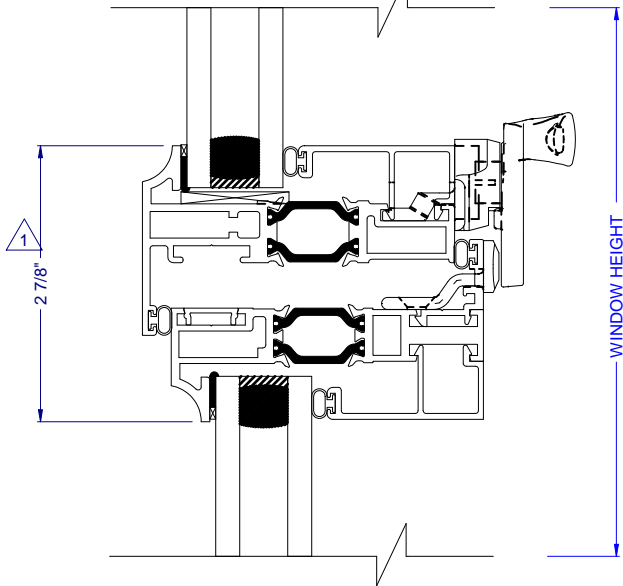


⑦ VERTICAL INTEGRAL MULLION
(VENT/VENT)

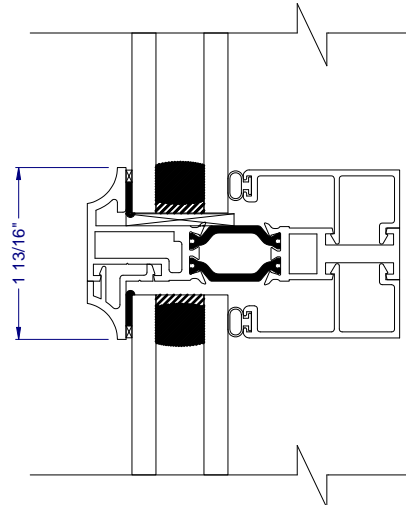
← WINDOW WIDTH →



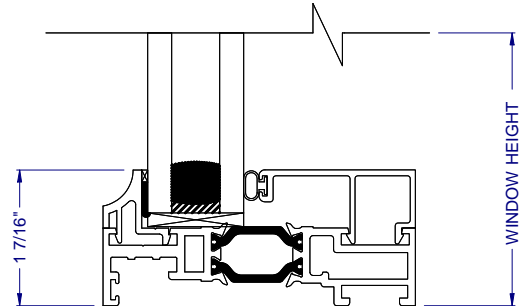
⑩ VERTICAL INTEGRAL MULLION
(VENT/FIXED)



⑫ HORIZONTAL INTEGRAL MULLION
(VENT/FIXED)

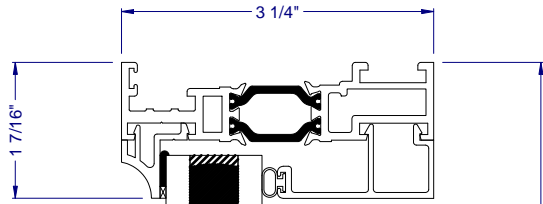


⑬ HORIZONTAL INTEGRAL MULLION
(VENT/VENT)

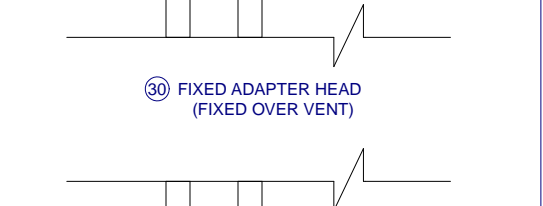


⑭ FIXED ADAPTER SILL
(VENT OVER FIXED)

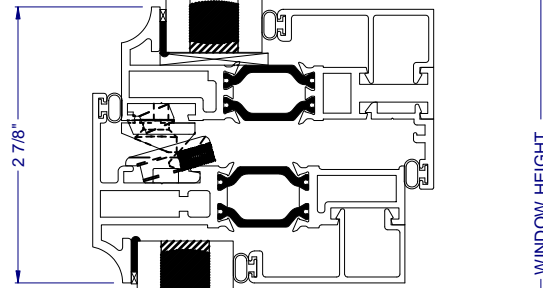
HALF SCALE SECTIONS



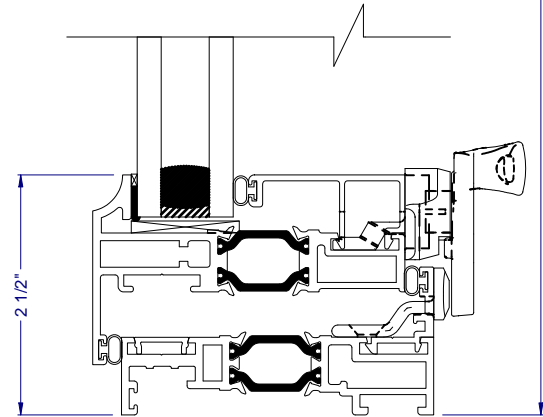
③① FIXED ADAPTER HEAD
(FIXED OVER VENT)



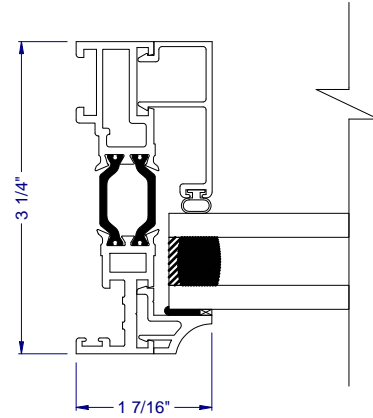
③① FIXED ADAPTER JAMB
(FIXED OVER VENT
&
VENT OVER FIXED)



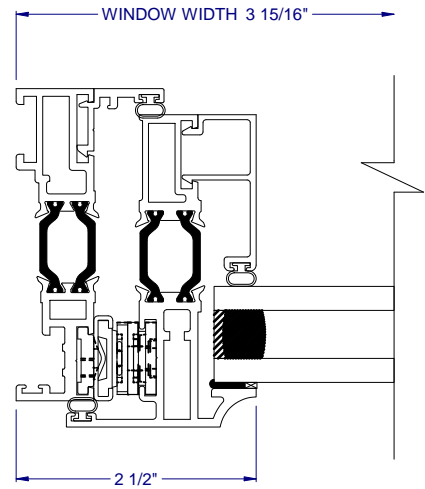
①① PO ADAPTER MULLION
(FIXED OVER VENT)



②④ PO ADAPTER SILL
(FIXED OVER VENT)



③① FIXED ADAPTER JAMB
(FIXED OVER VENT
&
VENT OVER FIXED)



②① PO ADAPTER JAMB
(FIXED OVER VENT
&
VENT OVER FIXED)

WINDOW HEIGHT