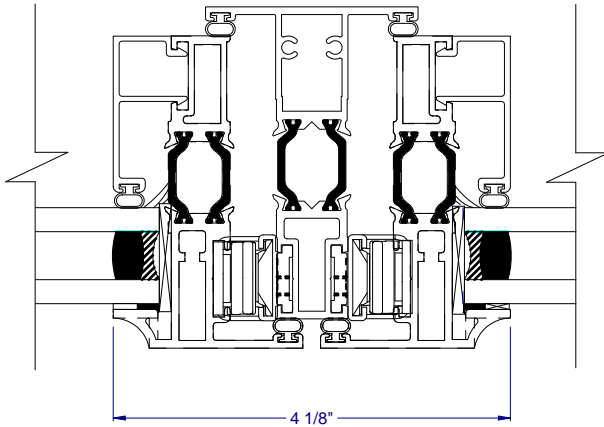


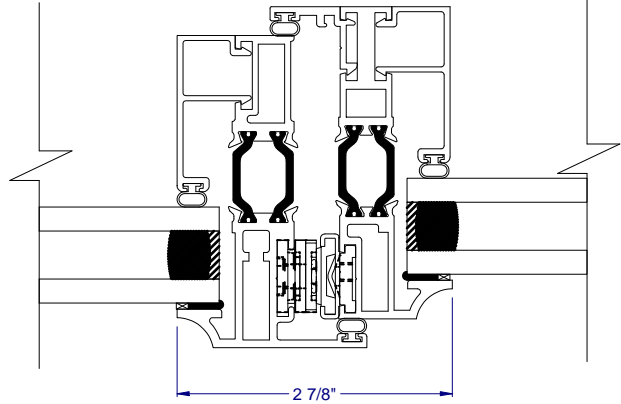
HALF SCALE SECTIONS

← WINDOW WIDTH →

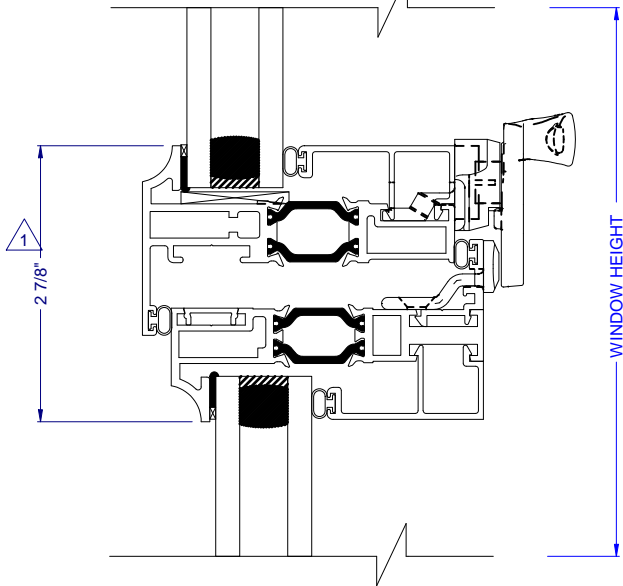


⑦ VERTICAL INTEGRAL MULLION
(VENT/VENT)

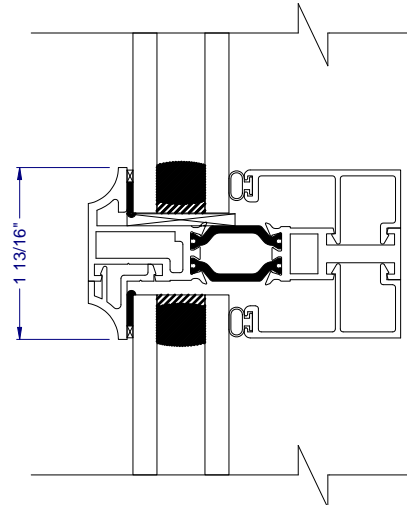
← WINDOW WIDTH →



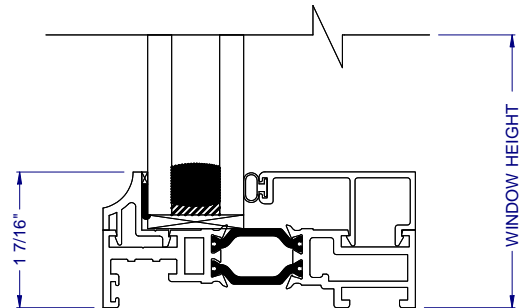
⑩ VERTICAL INTEGRAL MULLION
(VENT/FIXED)



⑫ HORIZONTAL INTEGRAL MULLION
(VENT/FIXED)



⑬ HORIZONTAL INTEGRAL MULLION
(VENT/VENT)



⑭ FIXED ADAPTER SILL
(VENT OVER FIXED)