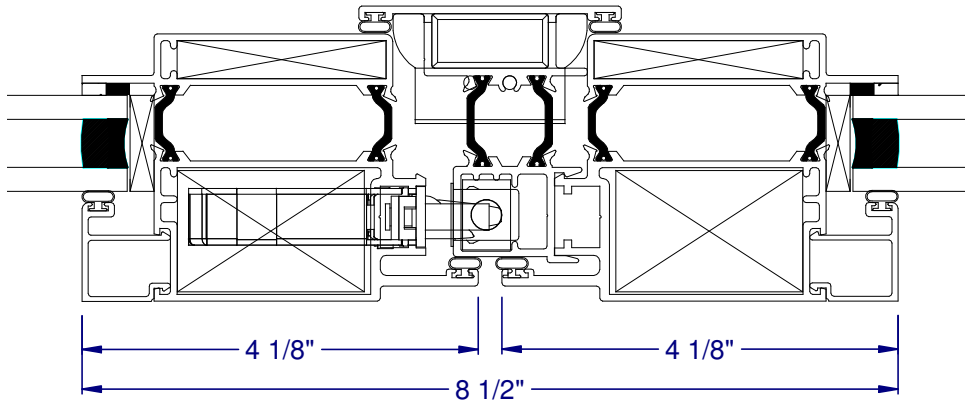
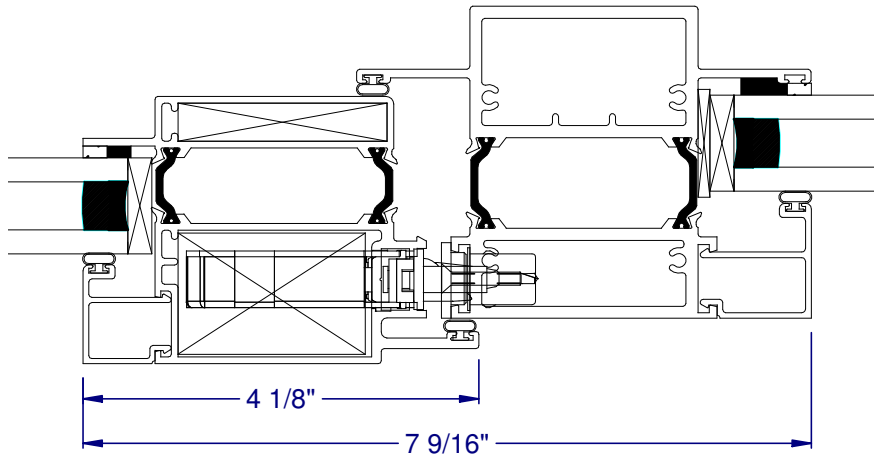


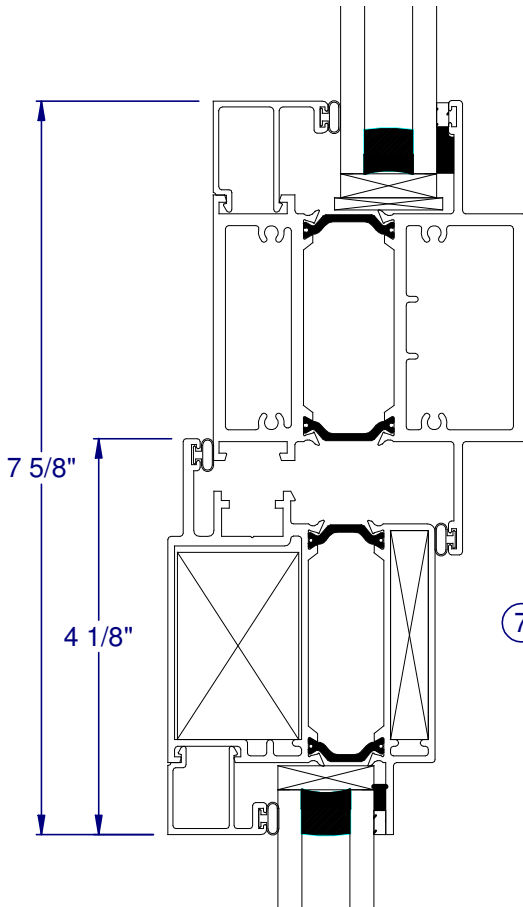
HALF SCALE SECTIONS



⑤ VERTICAL INTEGRAL MULLION (PANEL/PANEL)



⑥ VERTICAL INTEGRAL MULLION (PANEL/FIXED)



⑦ HORIZONTAL INTEGRAL MULLION  
(FIXED/PANEL)