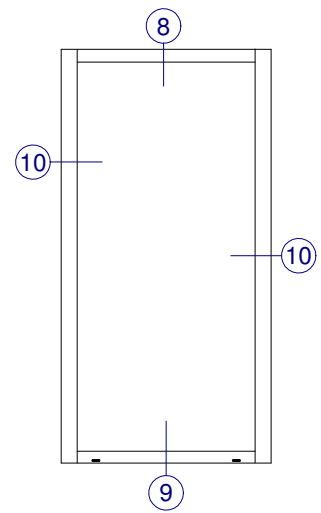
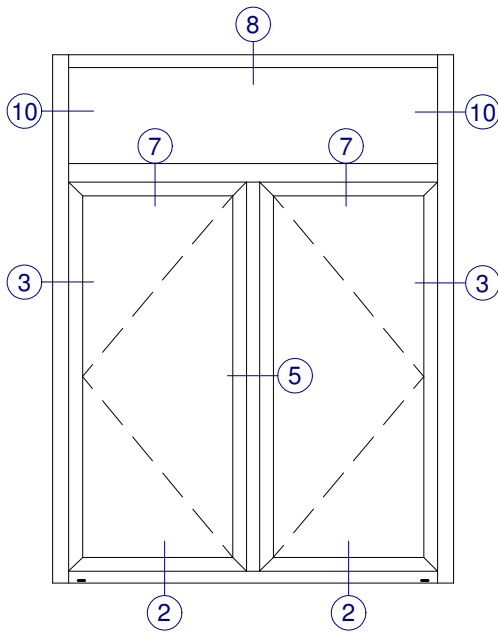
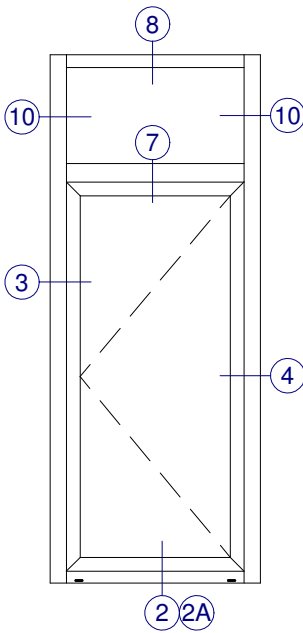
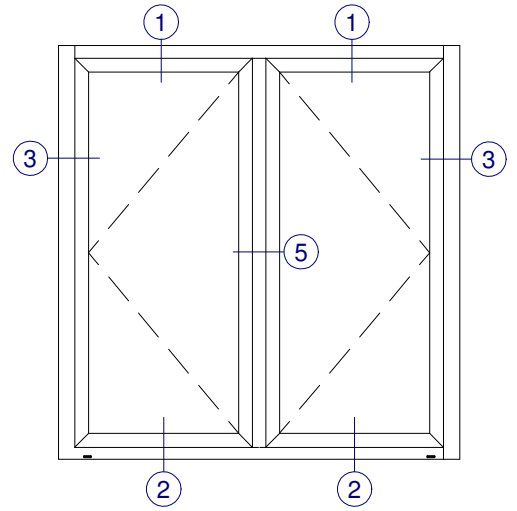
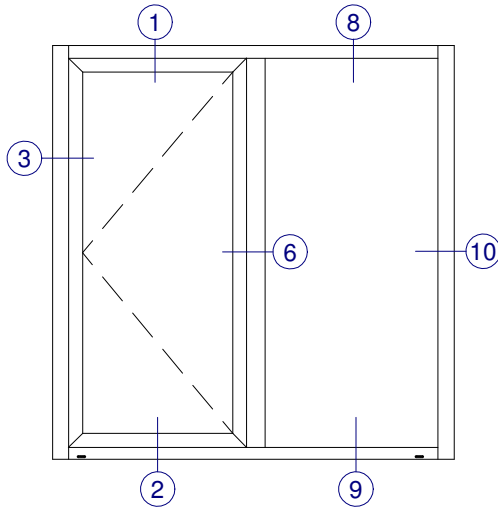
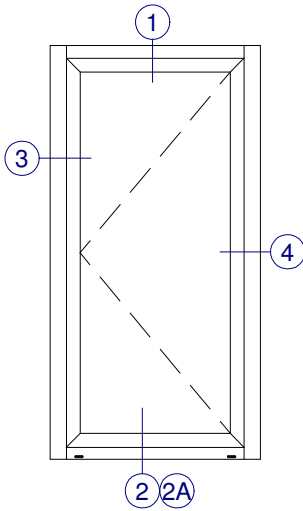


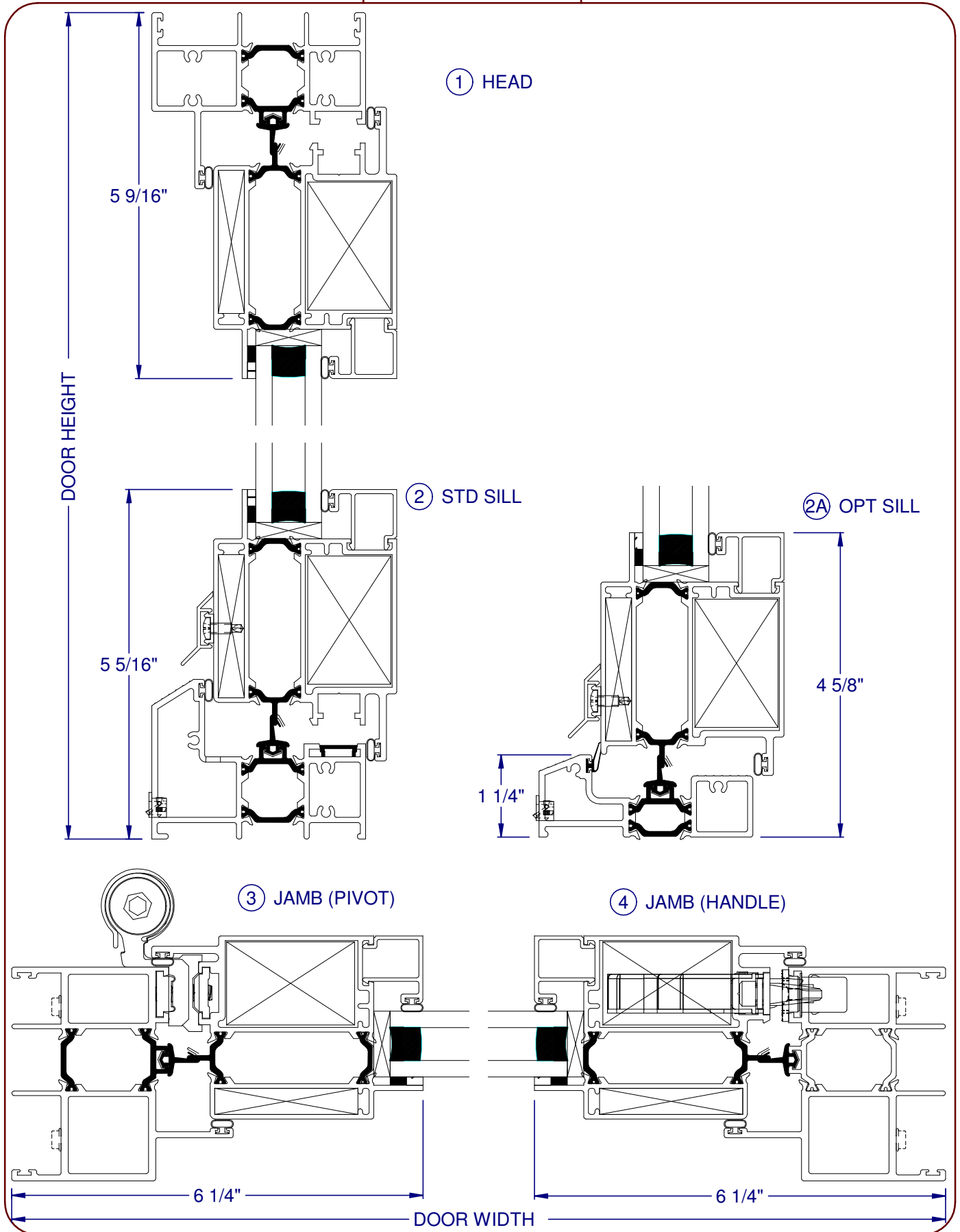
ELEVATIONS

LEFT HAND SHOWN

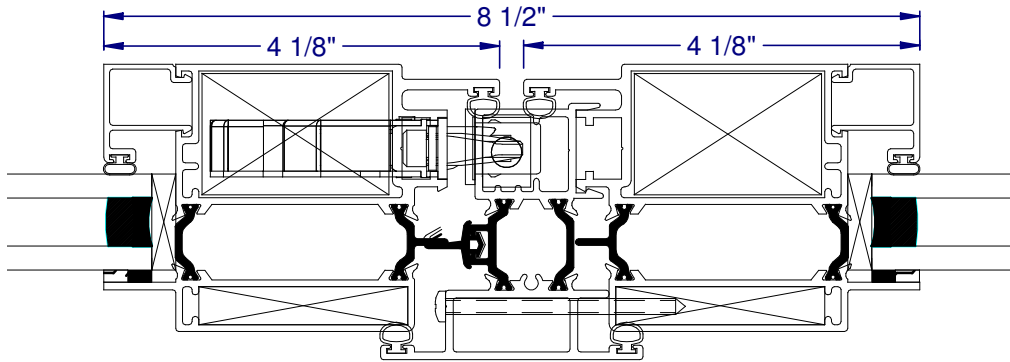
SERIES NX-8900
TERRACE DOOR
IN SWING



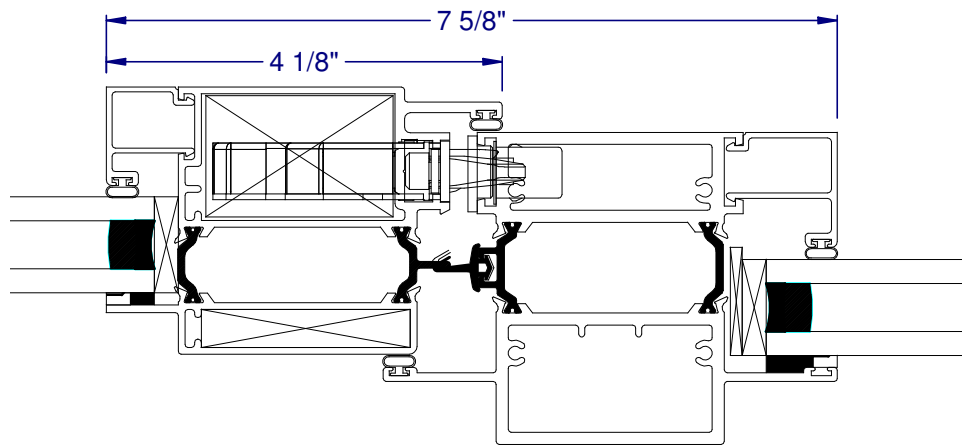
HALF SCALE SECTIONS



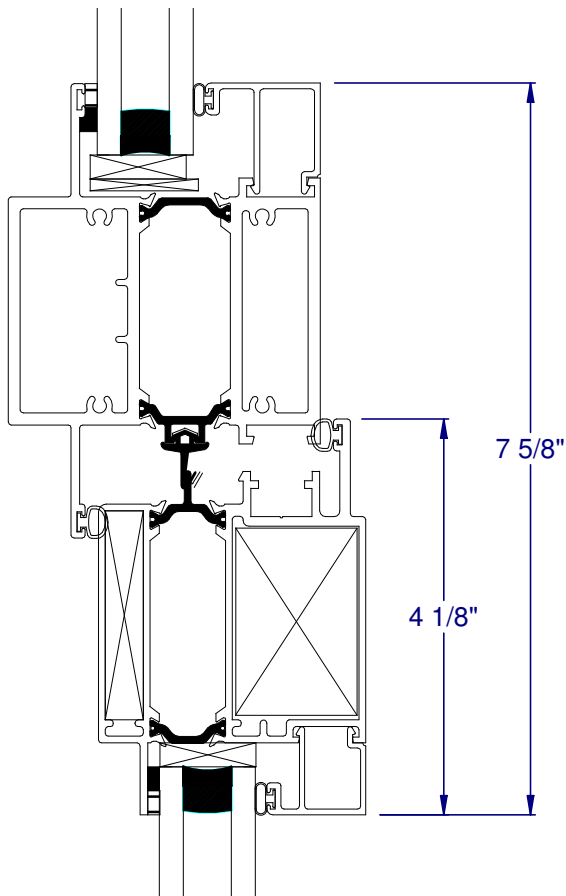
HALF SCALE SECTIONS



⑤ VERTICAL INTEGRAL MULLION (PANEL/PANEL)

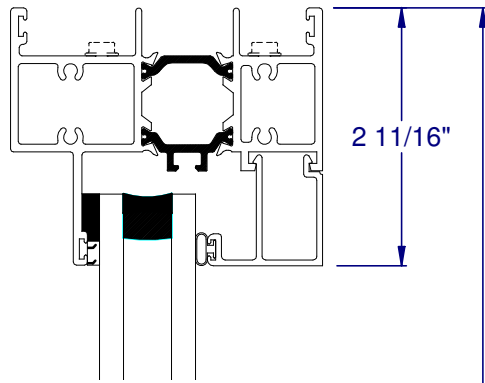


⑥ VERTICAL INTEGRAL MULLION (PANEL/FIXED)

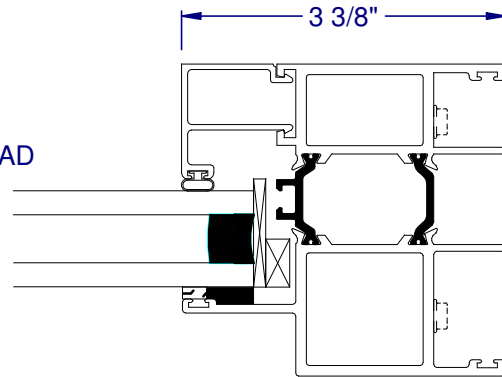


⑦ HORIZONTAL INTEGRAL MULLION (FIXED/PANEL)

HALF SCALE SECTIONS

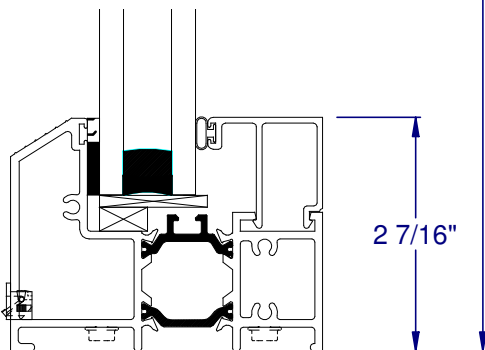


⑧ FIXED HEAD



⑩ FIXED JAMB

FIXED DOOR HEIGHT



⑨ FIXED SILL