



SYMMONS® Degas™

Widespread Lavatory Faucet SLW-5412 Installation and Service Instructions



Model Number

SLW-5412..... Lavatory faucet with pop-up drain

Decorative Finish Code

Append to part numbers when applicable

- STN Satin Nickel
- ORB Oil Rubbed Bronze
- Chrome (standard)

Tools & Materials

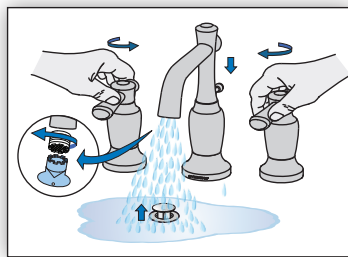


Need Help?

Contact Symmons customer service at (800) 796-6667, (781) 848-2250
Email: customerservice@symmons.com
Monday - Friday 7:30 am - 7:00 pm EST

Please check Symmons website for technical help, the latest product information and warranty policy.
www.symmons.com/service

Quick Install Guide Degas Widespread Lavatory Faucet, SLW-5412



Step 9
Flush lines and check for leaks

Step 2
Attach handles

Step 3
Install lift rod & attach spout

Step 4
Connect hoses between valves and spout

Step 1
Attach control valves

Removable position
Non-Removable position

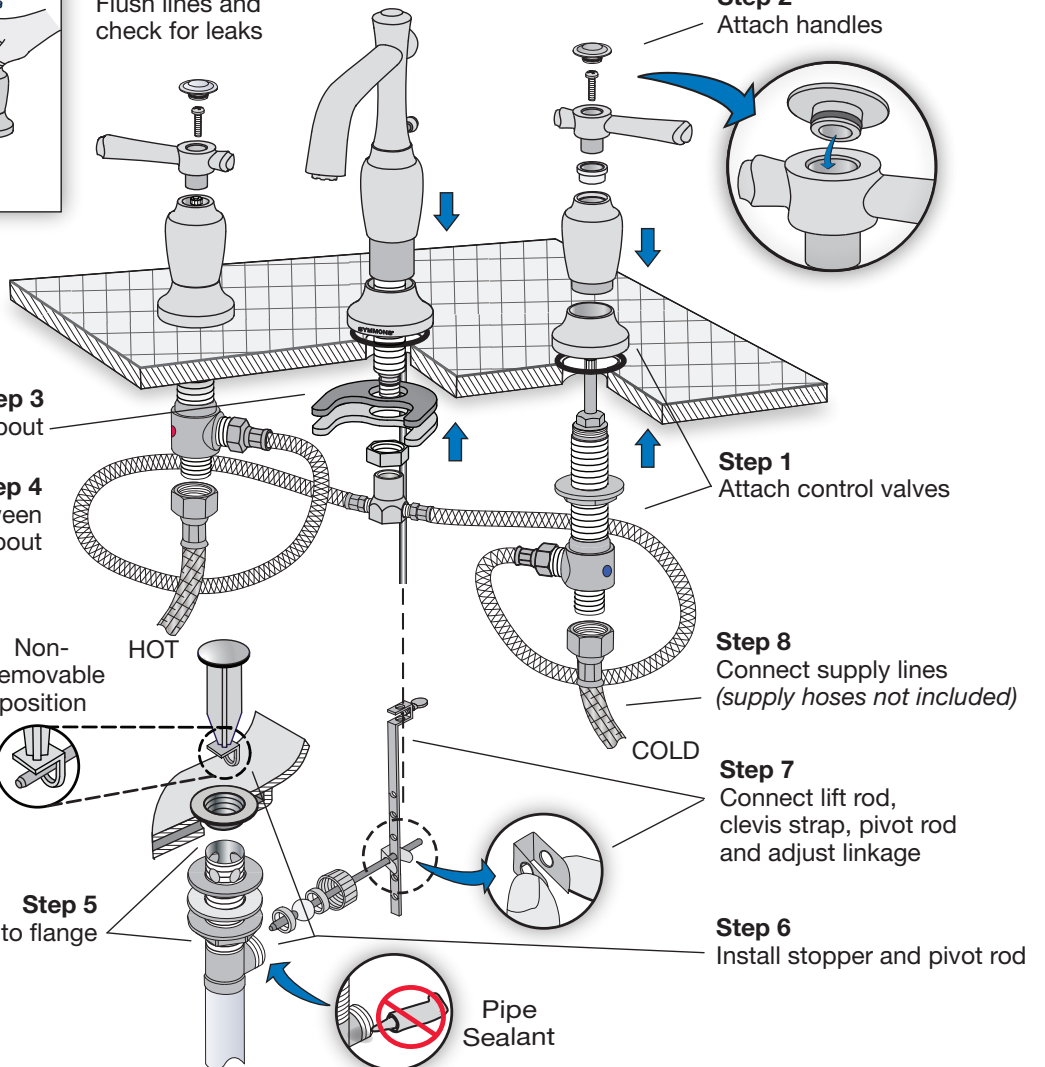
Step 8
Connect supply lines
(supply hoses not included)

Step 7
Connect lift rod, clevis strap, pivot rod and adjust linkage

Step 5
Attach drain body to flange

Step 6
Install stopper and pivot rod

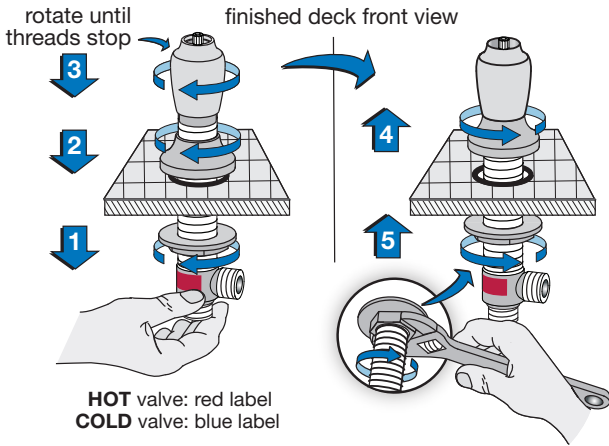
Pipe Sealant



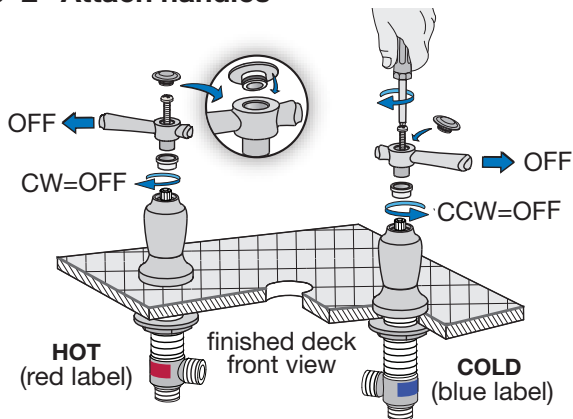
Installation Instructions

Caution: If replacing an older faucet ensure water supply is turned OFF before removing, then open faucet valves to relieve water pressure.

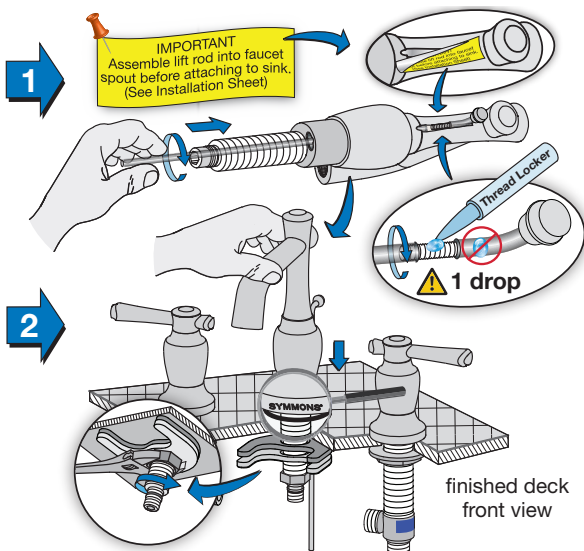
Step 1 Attach hot & cold control valves



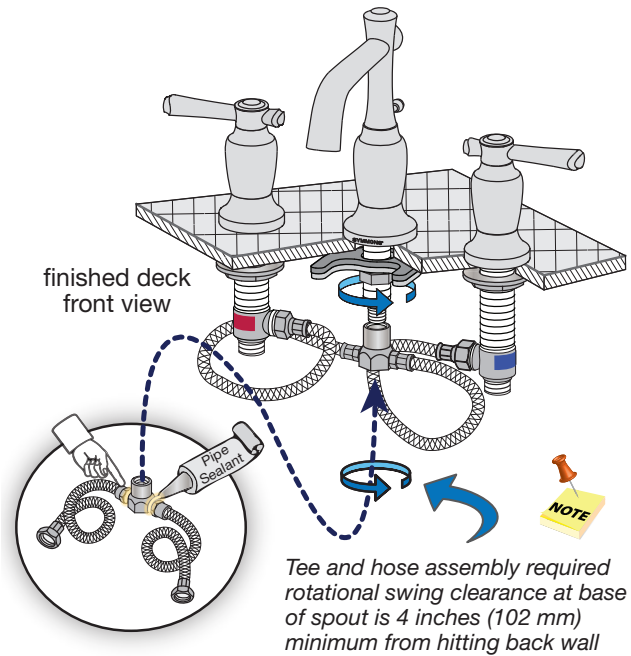
Step 2 Attach handles



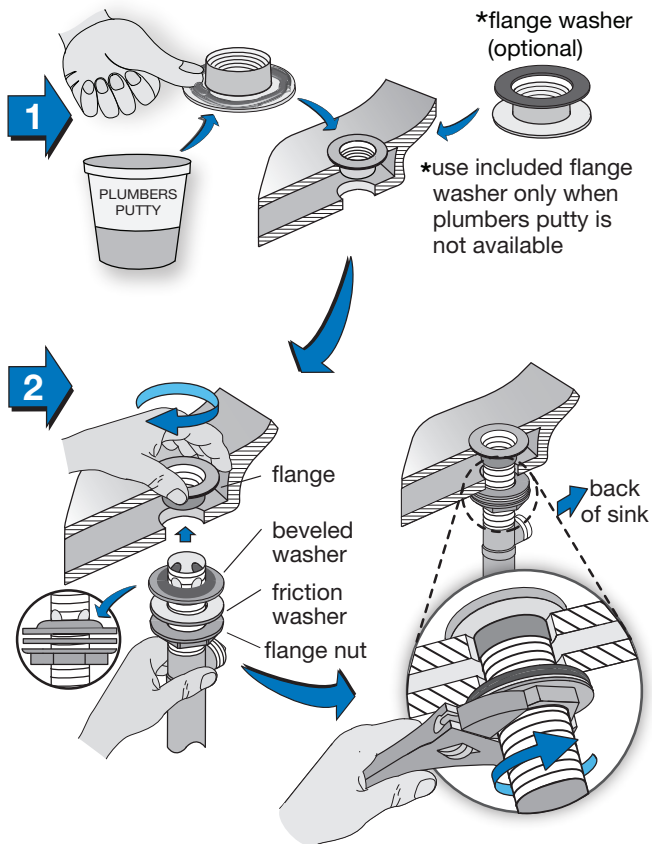
Step 3 Install lift rod and attach spout



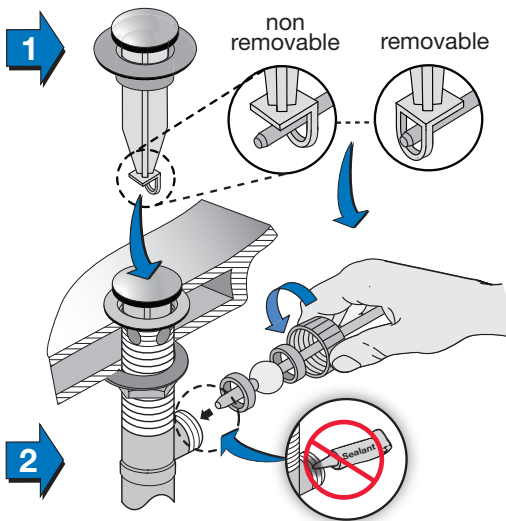
Step 4 Connect hoses between valves & spout



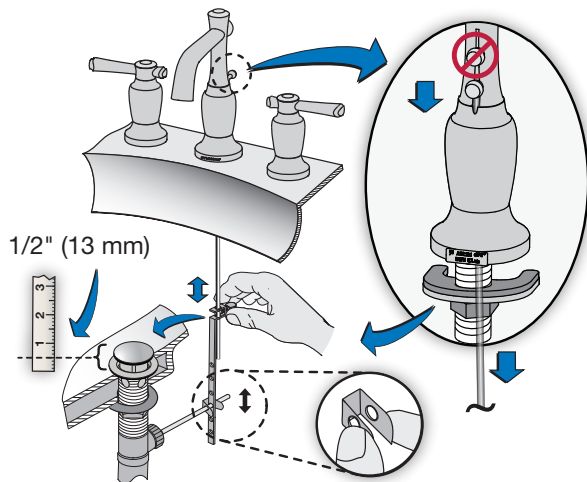
Step 5 Attach drain body to flange



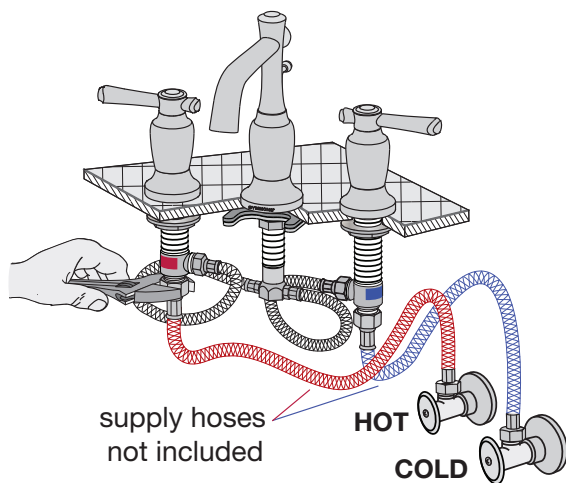
Step 6 Install stopper and pivot rod



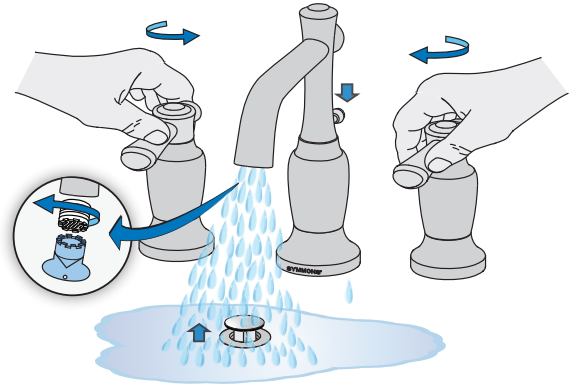
Step 7 Connect lift rod and adjust linkage



Step 8 Connect supply lines



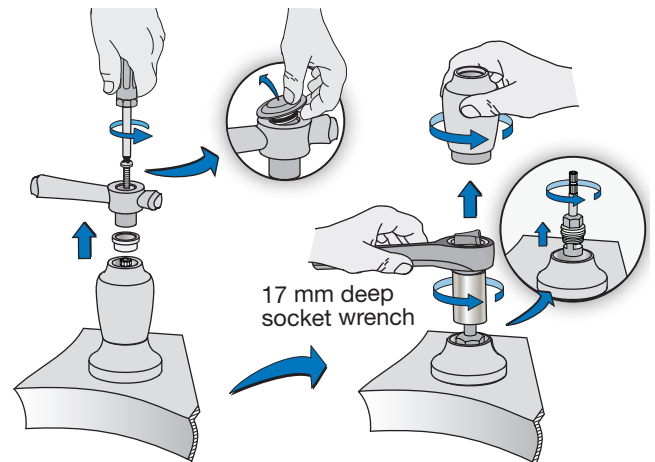
Step 9 Flush water supply lines



Care of faucet finish

Clean finish area by using mild soap and water or non-abrasive cleaner and then rinse immediately. A non-abrasive wax may be used to preserve finish area.

Valve cartridge replacement

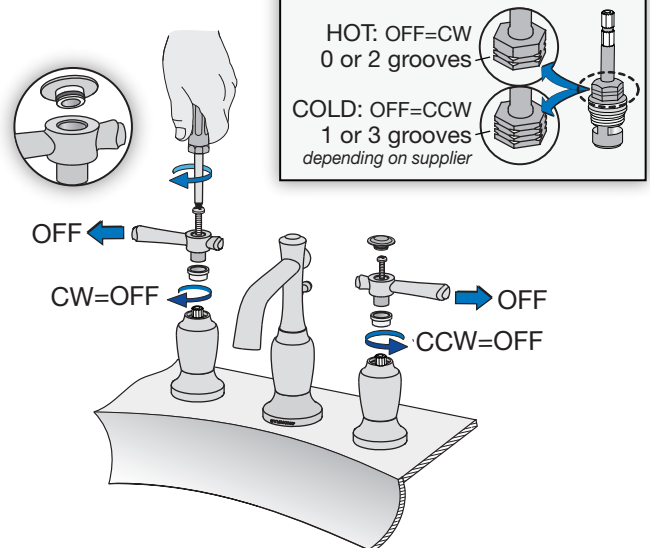


Replace handles

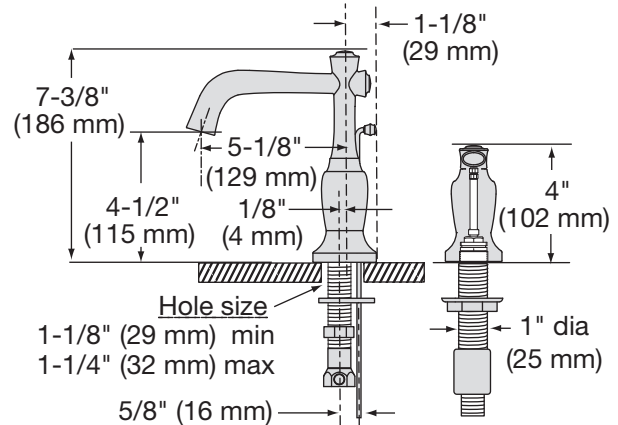
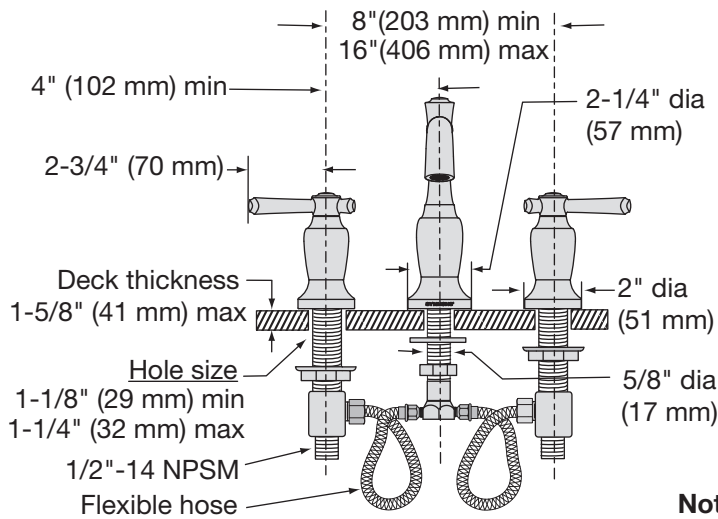
Lead free brass valve cartridges
(reference replacement parts table)

HOT: OFF=CW
0 or 2 grooves

COLD: OFF=CCW
1 or 3 grooves
depending on supplier

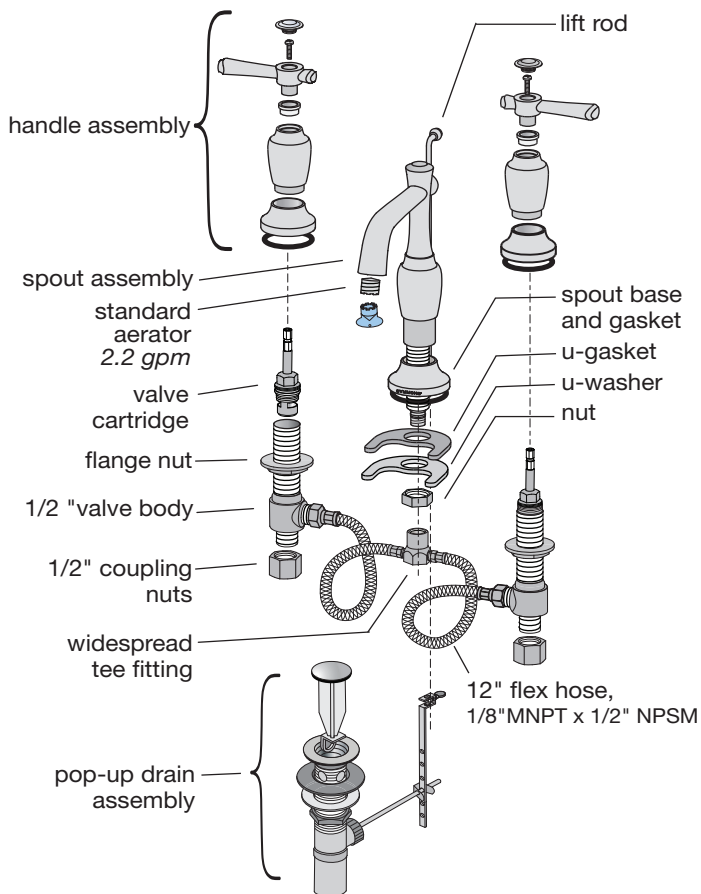


Dimensions Degas Widespread Lavatory Faucet, SLW-5412



Note: Dimensions subject to change without notice

Parts Assembly Degas Widespread Lavatory Faucet, SLW-5412



Replacement Part Kits

Part Number	Item
WSF-542L-KIT *.....	Single handle kit plug button phillips panhead (M4x. 7x16 mm) handle bushing handle escutcheon base and gasket
LN-333-KIT.....	Aerator flow rates 2.2 gpm (8.3L/min)
FLR-102-1.5-KIT.....	1.5 gpm (5.7L/min)
LN-742-KIT.....	1.0 gpm (3.8L/min)
	aerator removal tool included in all kits, p/n LN-383
KN-114E.....	Valve cartridge, lead free brass HOT: OFF = CW 0 or 2 grooves
KN-113E.....	COLD: OFF = CCW 1 or 3 grooves
RL-205 *	Lift rod

Ordering replacement parts:

Call Symmons customer service at (800) 796-6667, M-F 7:30 am - 7:30 pm EST or check our website at www.symmons.com for a list of Symmons distributors.

* Note: When ordering replacements parts for faucets with an optional decorative finish, append appropriate three letter finish suffix code to part numbers marked with an asterisk (*).