



# SYMMONS® Duro™

## Widespread Lavatory Faucet SLW-3612 Series

### Installation Brief



#### Model Number

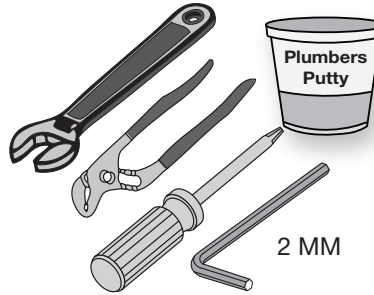
SLW-3612 Series Lavatory faucet with pop-up drain

#### Decorative Finish Code

Append to part numbers when applicable


- STN Satin Nickel
- Chrome (standard)

#### Tools & Materials

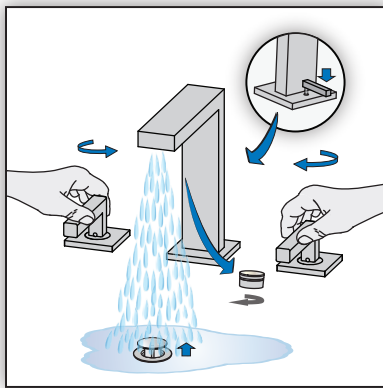


#### Need Help?

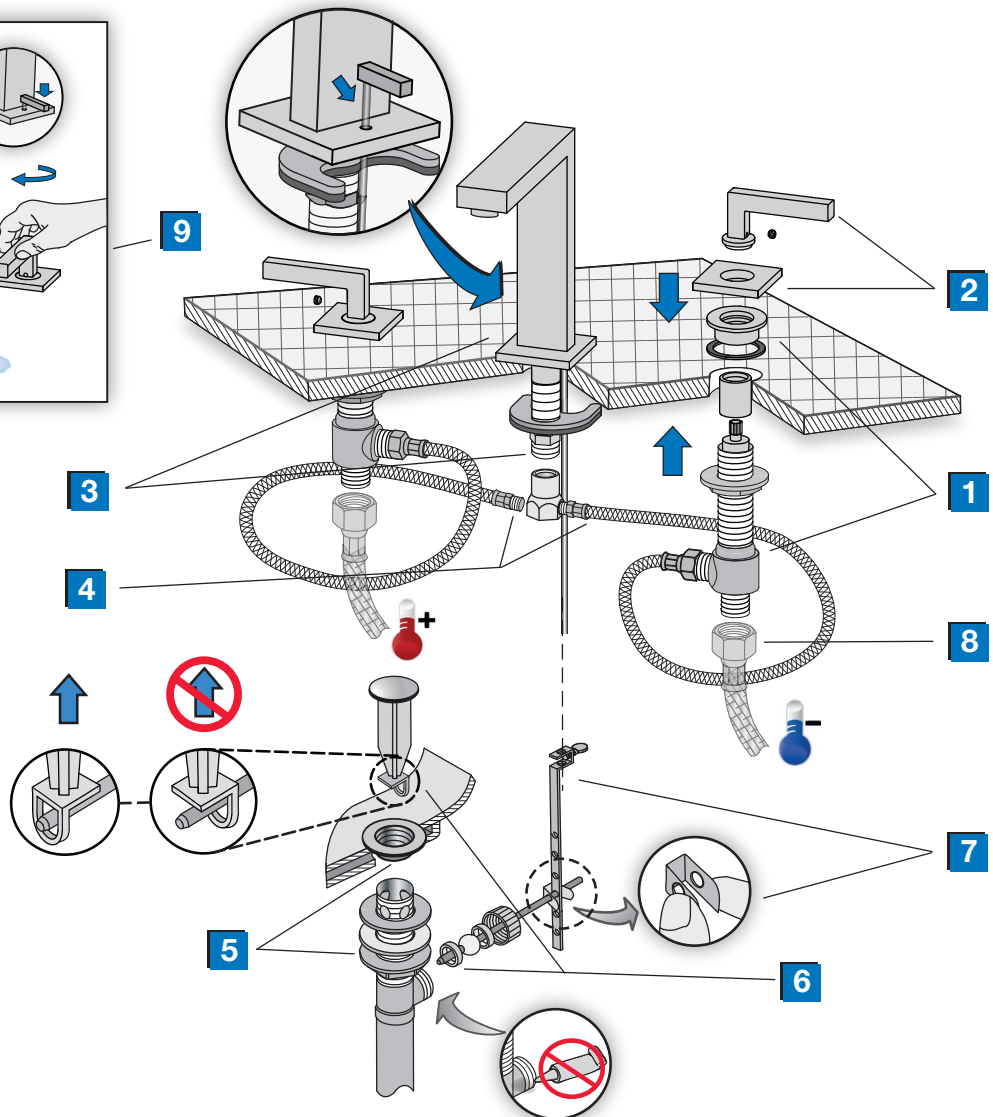
Contact Symmons customer service at  
 P: (800) 796-6667, F: (800) 961-9621  
 Email: [gethelp@symmons.com](mailto:gethelp@symmons.com)  
 Monday - Friday 7:30 am - 7:00 pm EST

 Please check Symmons website for technical help, the latest product information and warranty policy.  
[www.symmons.com/service](http://www.symmons.com/service)

### Quick Install Guide Duro Widespread Lavatory Faucet, SLW-3612 Series



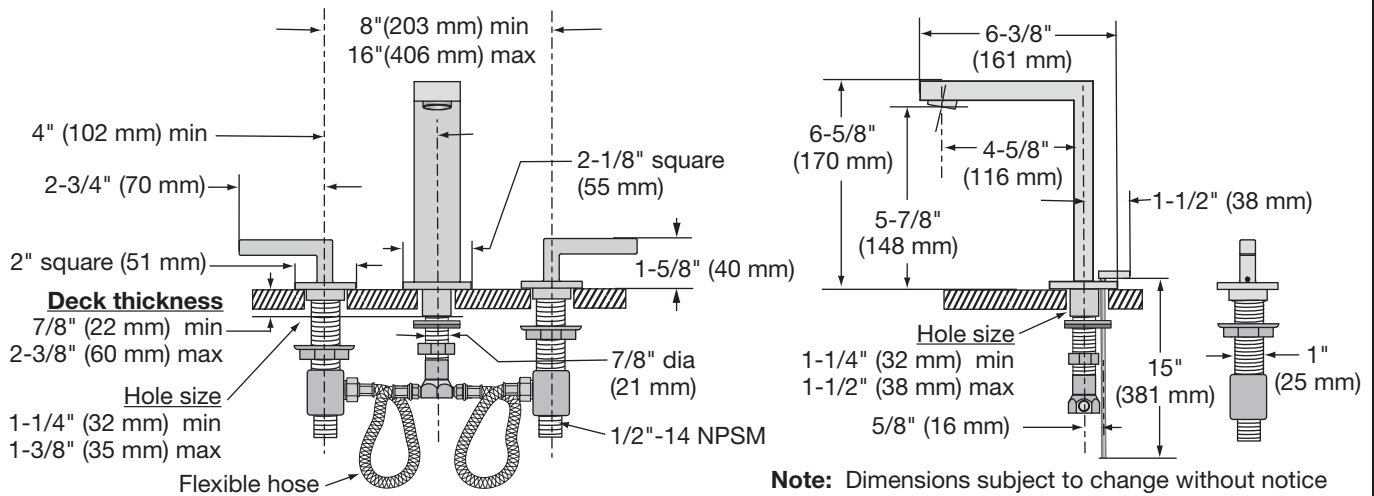
**Step 4 Note:**  
 Apply pipe sealant or plumber tape to flex hose adapters.



For California Residents

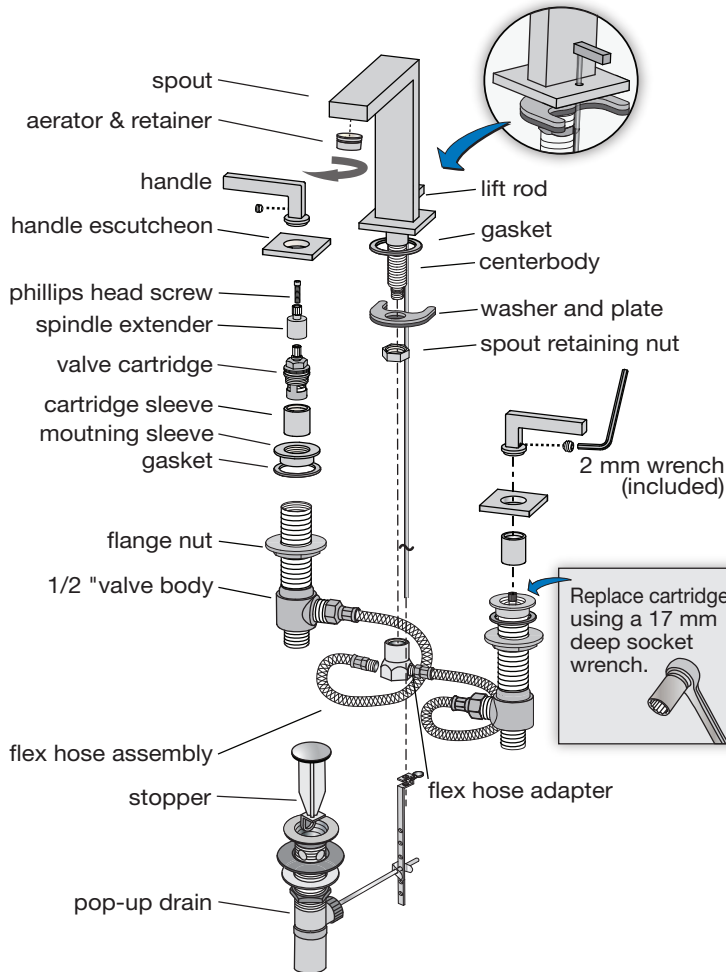
**WARNING:** This product contains chemicals known to the State of California to cause cancer, birth defects, or other reproductive harm.

## Dimensions Duro Widespread Lavatory Faucet, SLW-3612 Series



## Parts Assembly Duro Widespread Lavatory Faucet, SLW-3612 Series

For faucets purchased after Nov. 2013



### Replacement Parts

Part Number	Item
RL-149	Handle assembly handle (2) screw (2) escutcheon (2)
LN-15* FLR-110-1.5* FLR-110-1.0*	Aerator & retainer flow rates 2.2 gpm (8.3L /min) 1.5 gpm (5.7L /min) 1.0 gpm (3.8L /min) washer aerator retainer
KN-114 (hot) OFF = CW KN-113 (cold) OFF = CCW	Valve cartridge
RL-148	Mounting hardware kit retainer (2) gasket (2) flex hose (2)
RL-150*	Lift rod
RL-154LR*	Pop-up drain

### Ordering replacement parts:

Call Symmons customer service at (800) 796-6667, M-F 7:30 am - 7:00 pm EST or check our website at [www.symmons.com](http://www.symmons.com) for a list of Symmons distributors.

\* Note: When ordering replacement parts for faucets with an optional decorative finish, append appropriate three letter finish suffix code to part numbers marked with an asterisk (\*).