



Custom LED Electrical Drawings and Charts (TSF)

Wiring Diagrams:

- EL001101 - Non-Dimmable / No RF Filter
- EL001102 - Dimmable / No RF Filter
- EL000364 - Single Dimmer with Multiple Power Systems
- EL001103 - Non-Dimmable / RF Filter
- EL001104 - Dimmable / RF Filter

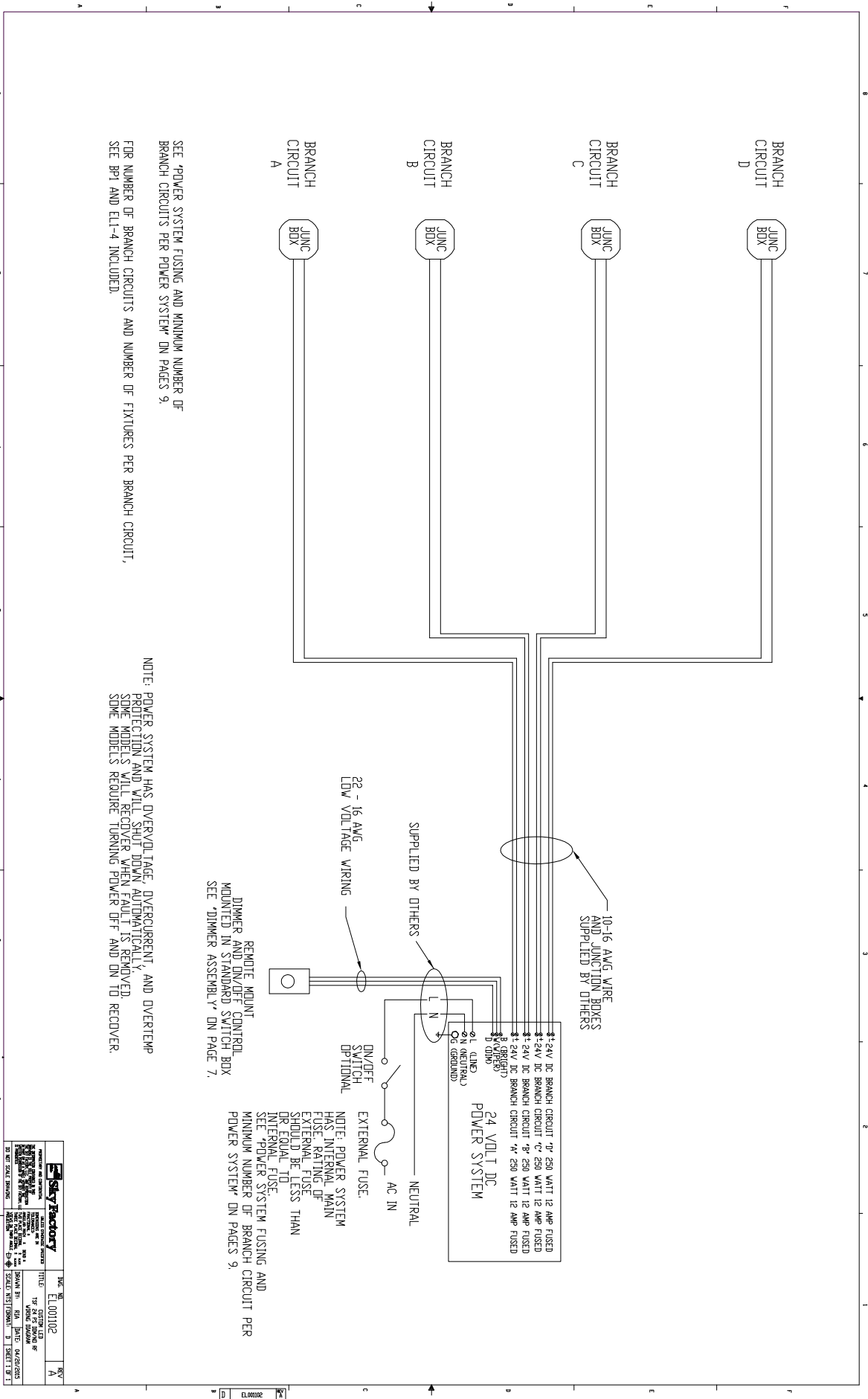
Dimmer Assembly:

- EL000195 - Dimmer Wall Plate Assembly

Wire Sizing Chart

Power System Fusing and Minimum Number of Branch Circuits per Power System

For technical support at any time during the installation, please call us **toll free at 866-759-3228**.
We want your installation to go as smoothly as possible. Thank you for choosing The Sky Factory.



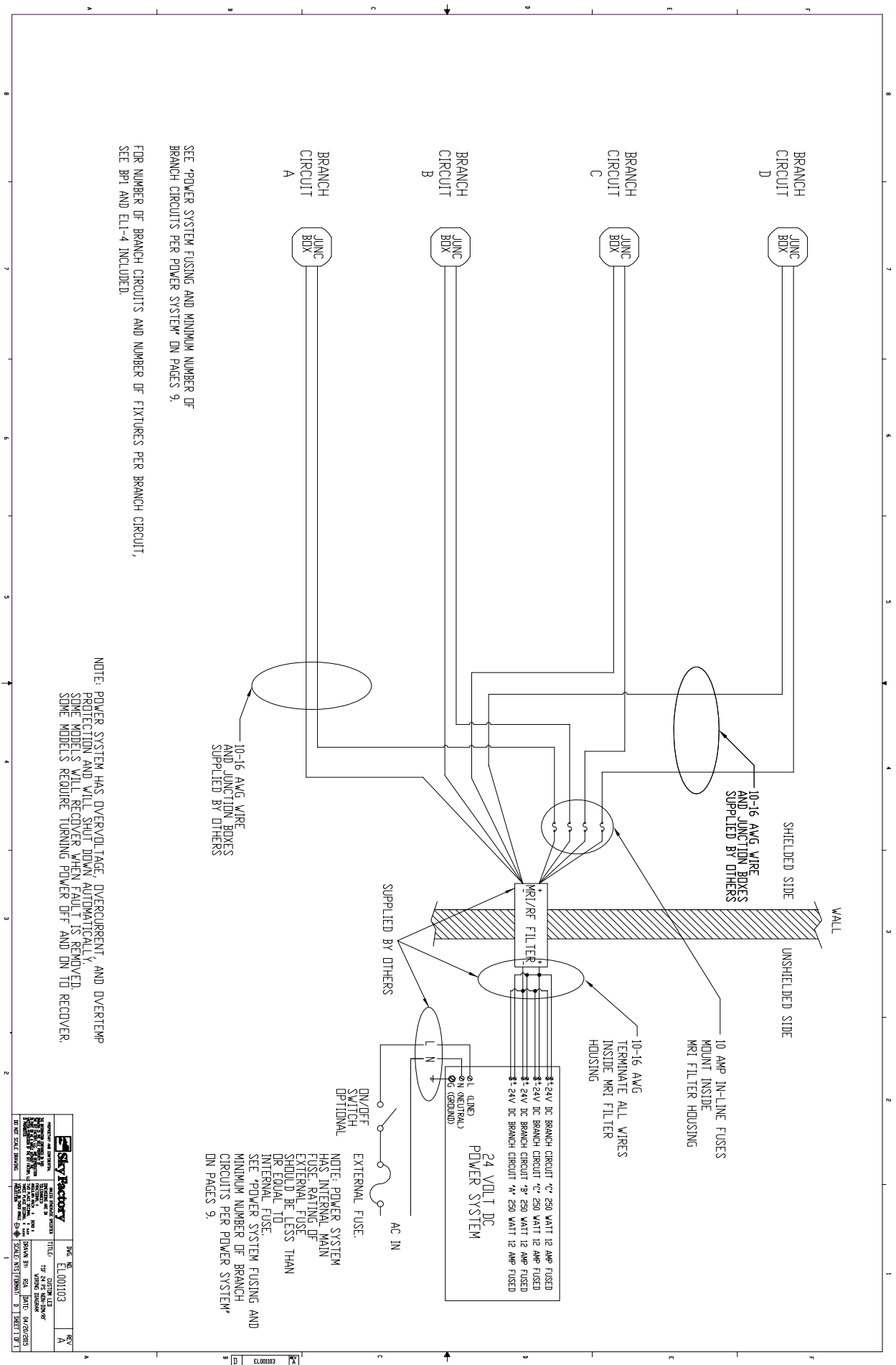
SEE 'POWER SYSTEM FUSING AND MINIMUM NUMBER OF BRANCH CIRCUITS PER POWER SYSTEM' ON PAGES 9.

NOTE: POWER SYSTEM HAS OVERVOLTAGE, OVERCURRENT, AND OVERTEMP PROTECTION AND WILL SHUT DOWN AUTOMATICALLY. SOME MODELS WILL RECOVER WHEN FAULT IS REMOVED. SOME MODELS REQUIRE TURNING POWER OFF AND ON TO RECOVER.

REMOTE MOUNT DIMMER AND ON/OFF CONTROL BOX IS MOUNTED IN STANDARD SWITCH BOX SEE 'DIMMER ASSEMBLY' ON PAGE 7.

NOTE: POWER SYSTEM HAS INTERNAL MAIN FUSE RATING OF 12 AMP. INTERNAL FUSE SHALL BE LESS THAN OR EQUAL TO INTERNAL FUSE. SEE 'POWER SYSTEM FUSING AND MINIMUM NUMBER OF BRANCH CIRCUIT PER POWER SYSTEM' ON PAGES 9.

Sky Factory	
MANUFACTURED BY SKY FACTORY	REV. A
DATE: 06/01/2022	REV. A
PROJECT: 157	DATE: 06/01/2022
DESIGNED BY: [Name]	DATE: 06/01/2022
CHECKED BY: [Name]	DATE: 06/01/2022
DATE: 06/01/2022	DATE: 06/01/2022



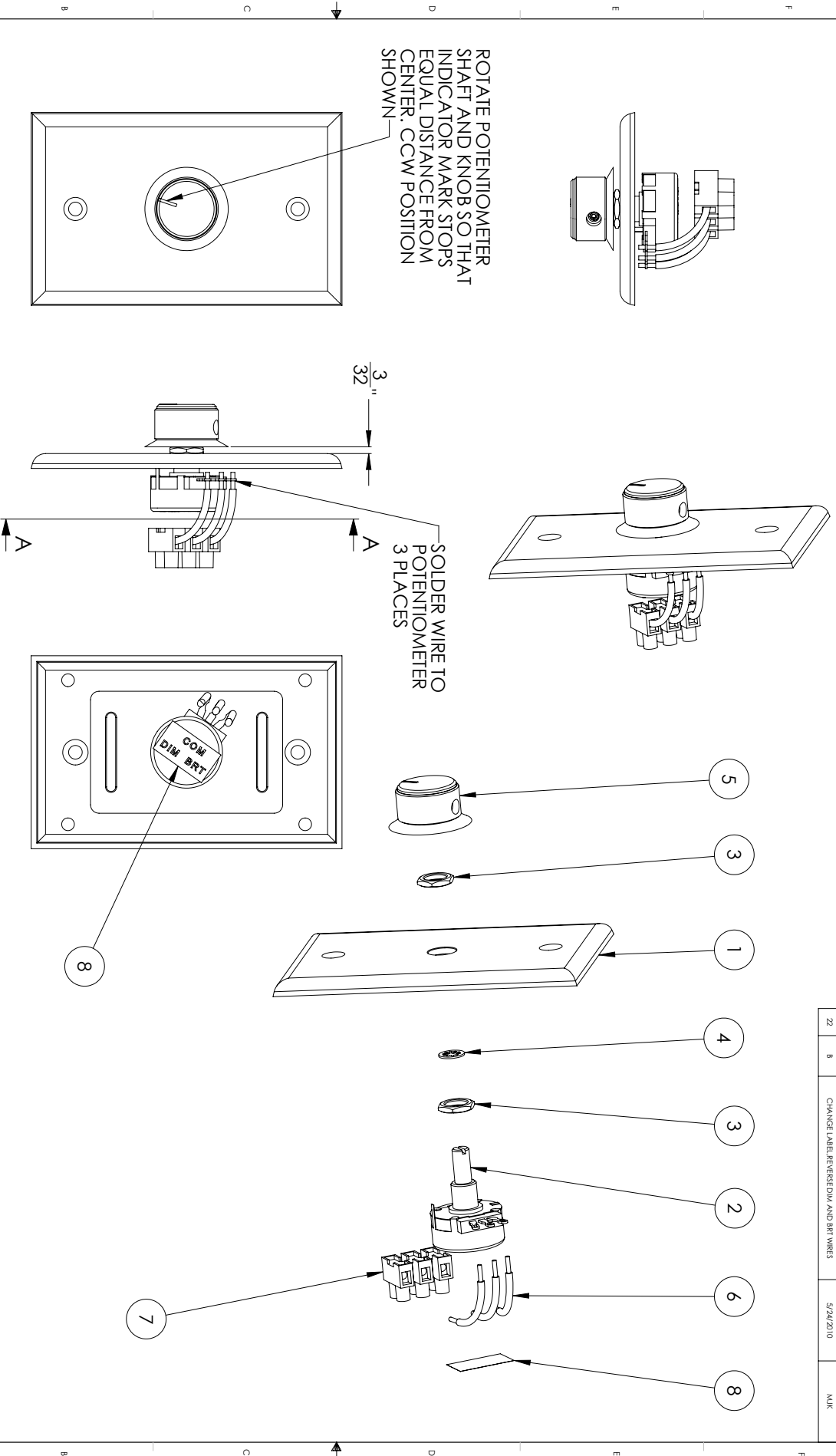
SEE "POWER SYSTEM FUSING AND MINIMUM NUMBER OF BRANCH CIRCUITS PER POWER SYSTEM" DN PAGES 9.

FOR NUMBER OF BRANCH CIRCUITS AND NUMBER OF FIXTURES PER BRANCH CIRCUIT, SEE BPI AND ELL-4 INCLUDED.

NOTE: POWER SYSTEM HAS OVERVOLTAGE, OVERCURRENT, AND OVERTEMP PROTECTION AND WILL SHUT DOWN AUTOMATICALLY. SOME MODELS WILL RECOVER WHEN FAULT IS REMOVED. SOME MODELS REQUIRE TURNING POWER OFF AND ON TO RECOVER.

Sky Factory		TITLE: ELL00103	
130 AVENUE BUNBURY, ONTARIO, CANADA		DATE: 04/20/2018	
TEL: 905-881-1111		DRAWN BY: ELL	
WWW.SKYFACTORY.COM		CHECKED BY: BPI	
1000 SHEPPARD AVENUE EAST, SUITE 100		SCALE: NOT TO SCALE	
TORONTO, ONTARIO, CANADA		SHEET NO. 5 OF 7	

REVISIONS				
ECRN	REV	DESCRIPTION	DATE	APPROVED
22	8	CHANGE LABEL REVERSE DIM AND BRT WIRES	5/24/2010	MLK



SECTION A-A

ITEM NO.	PART NUMBER	DESCRIPTION	QTY.
1	E1000183	WALL PLATE, WHITE, 7/16 HOLE	1
2	E1000184	POTENTIOMETER, DIMMER, 10K, 1/4 DIA X 5/8 SHAFT	1
3	E1000184	HEX NUT 3/8-32 UNF	2
4	Internal tooth-lock washers, Al		1
5	E1000182	KNOB, DIMMER W/SET SCREW, 1/4 DIA SHAFT	1
6	E1000196	WIRE 16AWG STRANDED TFN BLACK, 2 IN	3
7	E1000185	TERMINAL BLOCK 3 POSITION (for dimmer pot field wiring)	1
8	E1000361	LABEL, PWR SYS DIMMER DIM-COM-BRT	1

IMPORTANT AND CRITICAL:
 THE DIMMER IS THE SOURCE OF THE DIMMER POTENTIAL. THE DIMMER POTENTIAL IS PROVIDED ON A WIRE WITHOUT THE DIMMER POTENTIAL.

UNLESS OTHERWISE SPECIFIED:
 DIMENSIONS ARE IN INCHES
 FINISHES ARE AS SHOWN
 DIMENSIONS ARE TO CENTER UNLESS OTHERWISE NOTED
 DIMENSIONS ARE TO CENTER UNLESS OTHERWISE NOTED

3RD ANGLE

FAIRFIELD, IA

sky Factory

SCALE: 1" = 1"

SHEET 1 OF 1

TITLE:
DIMMER WALL PLATE ASSY

DATE: 11/26/09
 DRAWN: MLK
 CHECKED: BSG/MLK
 DATE: 11/26/09
 DRAWN: MLK
 CHECKED: BSG/MLK

REV: B

Wire Sizing Chart

This chart is a guideline for recommended wiring practice.

Applies to 24V DC power only, i.e. from “fixture power cable to branch circuit on power system.”

Not meant for “V AC to power system” nor “dimmer to power system.”

Wire sizes in AWG Conversion chart below.

Distance: Feet (Meters)	AWG for 5A	AWG for 10A	AWG for 15A
20 (6)	18	14	12
30 (9)	16	12	10
40 (12)	14	10	10
50 (15)	12	10	*
60 (18)	12	10	*
80 (24)	10	*	*
100 (30)	10	*	*

* Terminal block wire range #10 - #22 Awg.

AWG	MM
10	6.271
11	5.156
12	3.302
13	2.629
14	2.088
15	1.652
16	1.308
17	1.039
18	0.823

Custom LED Lighting
 (Non-Dimming & No RF Filter)
 Power System Fusing and
 Minimum Number of Branch Circuits per Power System

Power System Watts	AC In	Cert	Internal AC Fuse	Minimum Branch Circuits
200	85-264	UL CE	F5A/L250V 5X20 GLASS GFE	A
320	88-264	UL CE	F6.3A/L250V 5X20 GLASS GFE	A,B
480	85-264	UL CE	F10A/L250V 5X20 GLASS GFE	A,B
750	90-264	UL CE	F15A/L250V 5X20 CERAMIC GBM	A,B,C
1500	90-264	UL CE	F25A/H250V 6.3X32 CERAMIC ABP	A,B,C,D

Custom LED Lighting
 (Dimming & No RF Filter/Non-Dimming & RF Filter/Dimming & RF Filter)
 Power System Fusing and
 Minimum Number of Branch Circuits per Power System

Power System Watts	AC In	Cert	Internal AC Fuse	Minimum Branch Circuits
200	85-264	UL CE	F5A/L250V 5X20 GLASS GFE	A
320	88-264	UL CE	F6.3A/L250V 5X20 GLASS GFE	A,B
480	85-264	UL CE	F10A/L250V 5X20 GLASS GFE	A,B,C
750	90-264	UL CE	F15A/L250V 5X20 CERAMIC GBM	A,B,C,D
1500	90-264	UL CE	F25A/H250V 6.3X32 CERAMIC ABP	A,B,C,D