

Amalfi 55 VB-AML-55



Vessel basin

- Designed to complement our Amalfi Tub
- Made from ENGLISHCAST™
 - One piece casting of unique volcanic limestone and resin
 - Harder and more durable than acrylic
- Easy clean high gloss finish
- Exterior can be painted, faux finished or stenciled
- 25 year warranty

Classic Slipper look



Options to be Specified

Vessel basin:

- **No faucet holes**
Suitable for freestanding or wall mounted faucets
- Note** Due to the design of the rim, this vessel basin cannot be drilled for faucet holes

Recommended Drain:

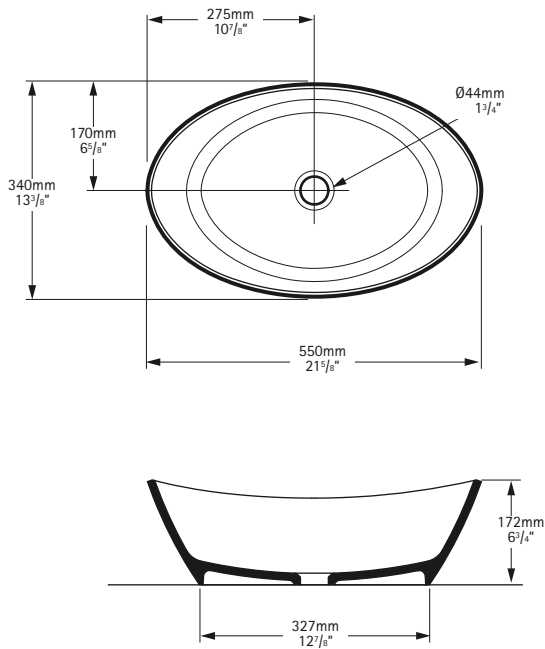
Universal basin waste with 'captive' plug and matching basin bottle trap - VBD-CAP-XX / VBD-DBT-XX

Note: For product specifications please see over



Amalfi 55 VB-AML-55

Vessel basin



General specifications for Amalfi 55 vessel basin

Installed size	21 ⁵ / ₈ " x 13 ³ / ₈ " x 6 ³ / ₄ "
Weight	13.1lbs
Weight with water	25.4lbs
Gallons to rim	1.5 gallons
Water depth to rim	5 ⁷ / ₈ "

Notes

Refer to installation instructions supplied with vessel basin for additional information. Fittings (faucets & drain assembly) not included and must be ordered separately.

Important

Dimension of fixtures are nominal and may vary within the range of tolerances established by ANSI standard A112.19.4M.

These measurements are subject to change or cancellation.

No responsibility is assumed for use of superseded or void leaflet.