

Cannes CAN-N-SW



Modular double-ended tub

- Suitable for back to the wall positioning
- Fully compatible with over mounted shower screens
- Available with floor plinth - ANT-B-SW
- Also available as a built-in model with optional adjustable feet - FT-ANT-BI
- Super deep bathing well
- 18½" to overflow
- Made from ENGLISHCAST™
- One piece casting of rare volcanic limestone and resin
- Harder and more durable than acrylic
- Easy clean high gloss finish
- Exterior can be painted, faux finished or stenciled
- 25 year warranty

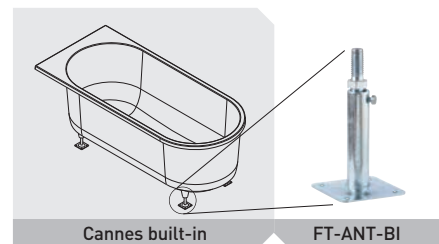
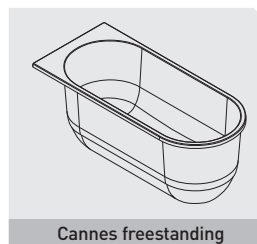
The ideal deep shower tub.



Options to be Specified

Tub:

- **No faucet holes**
Suitable for freestanding, wall or deck mounted faucets.
Victoria & Albert warranty installers drilling custom faucet holes on-site.



Recommended Drain:
Standard Drain - STD-UNI-XX

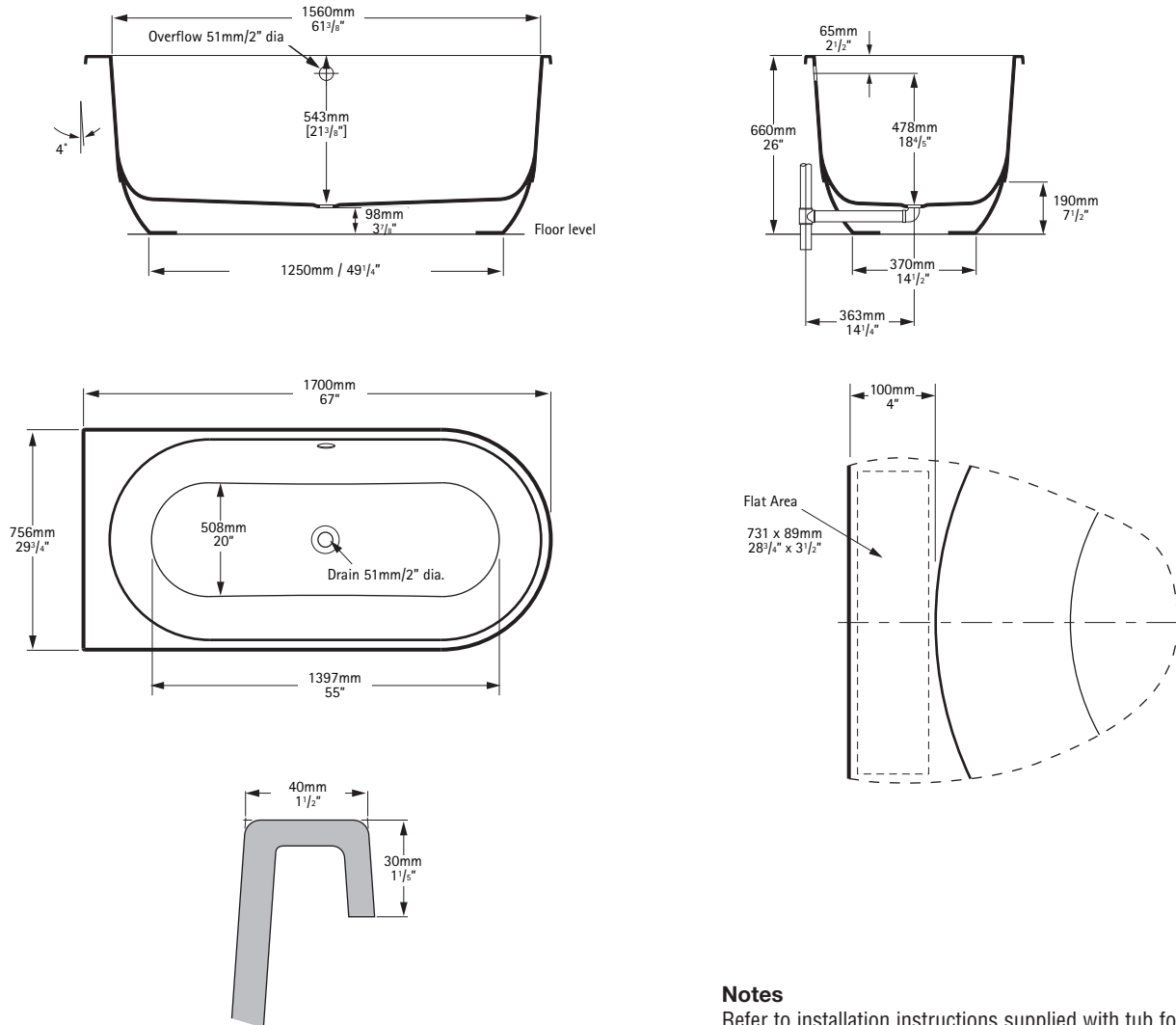
Note: For product specifications please see over

ENGLISHCAST™
V&A Material Technology

Cannes CAN-N-SW

Modular double-ended tub

Note Tub supplied without overflow hole. Overflow hole can be drilled on-site.



General specifications for Cannes tub

Installed size	67" x 29 3/8" x 26"
Weight	Freestanding 148lbs Built-in 117lbs
Weight with water	Freestanding 853lbs Built-in 822lbs
Gallons to overflow	84 1/2 gallons
Bathing well at sump	55" x 20"
Bathing well at rim	61 3/8" x 24 3/8"
Water depth to overflow	18 7/8"

Notes

Refer to installation instructions supplied with tub for additional information. Can be used as a built-in tub. Fittings (faucets & drain assembly) not included and must be ordered separately. If installing deck mounted hardware refer to 'drilling faucet holes' instructions before installation.

Important

Dimension of fixtures are nominal and may vary within the range of tolerances established by ANSI standard A112.19.4M.

These measurements are subject to change or cancellation.

No responsibility is assumed for use of superseded or void leaflet.