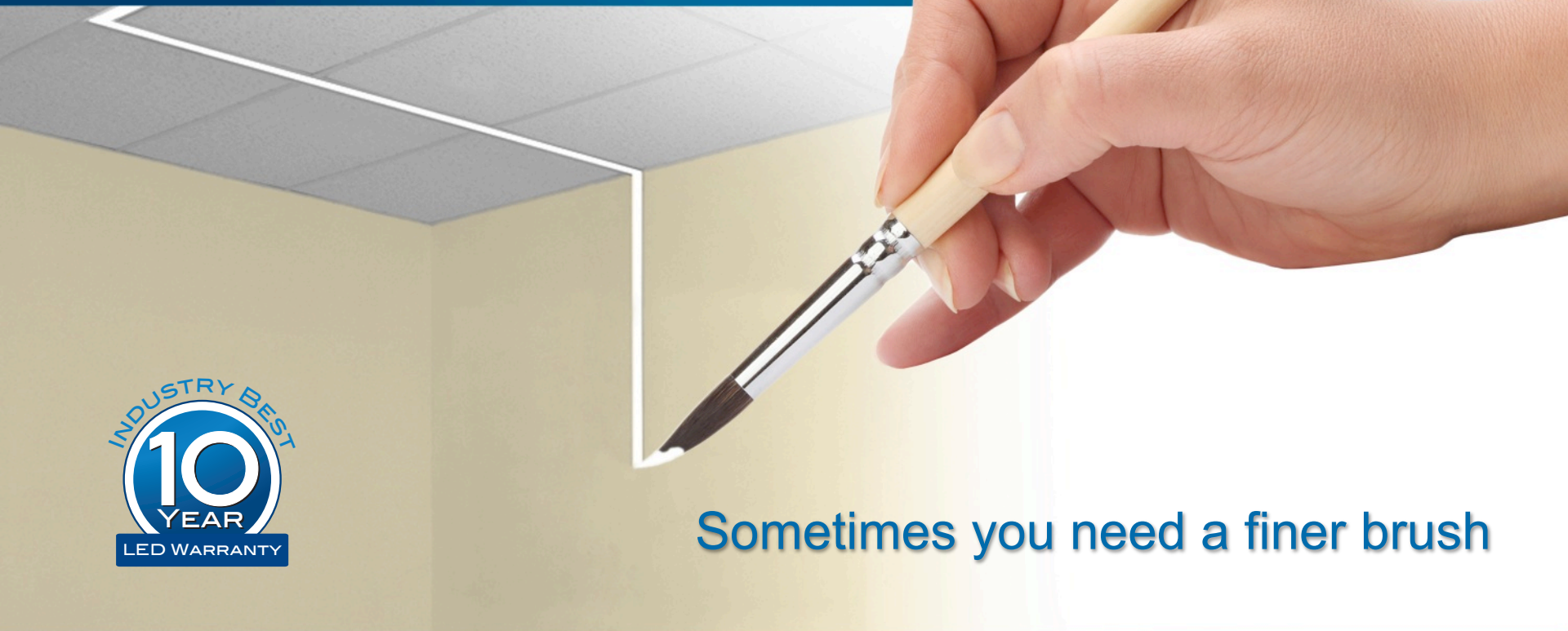


HP-2



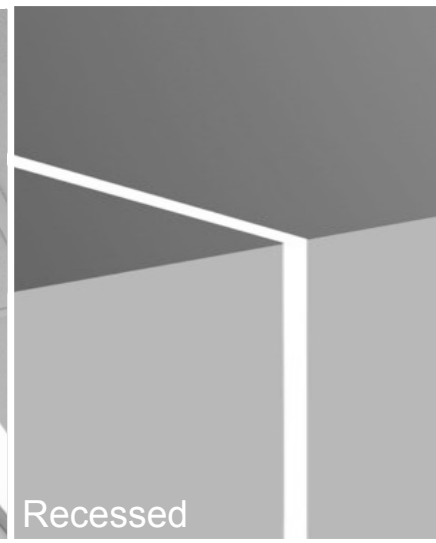
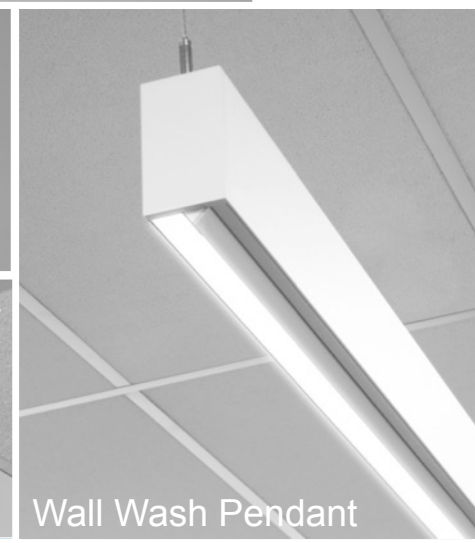
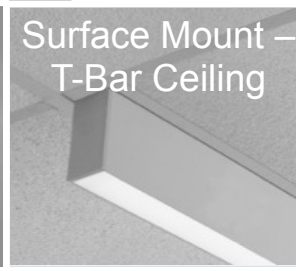
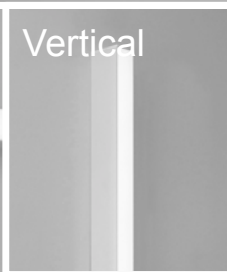
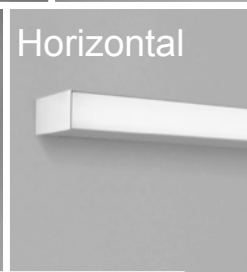
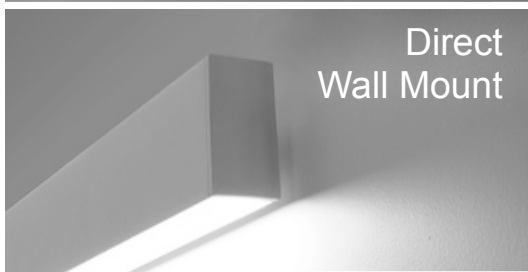
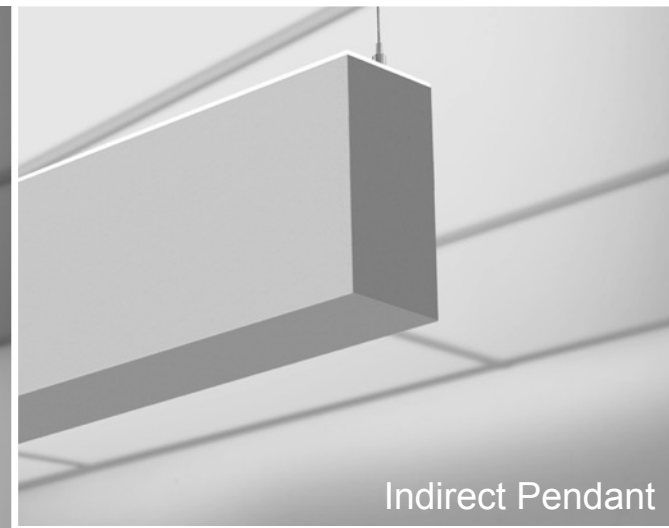
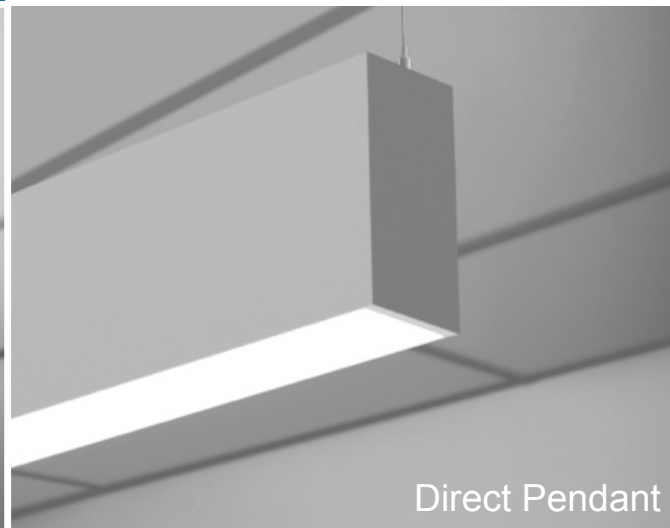
FINELITE
Better Lighting

High Performance 2" Aperture LED Collection

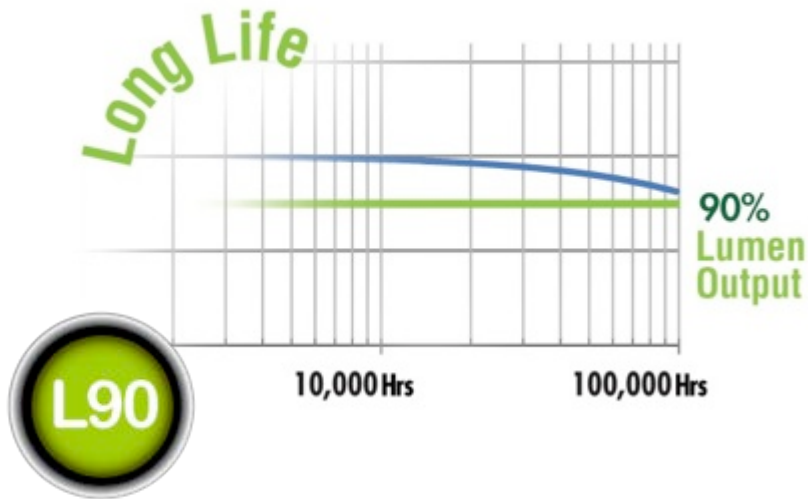


Sometimes you need a finer brush

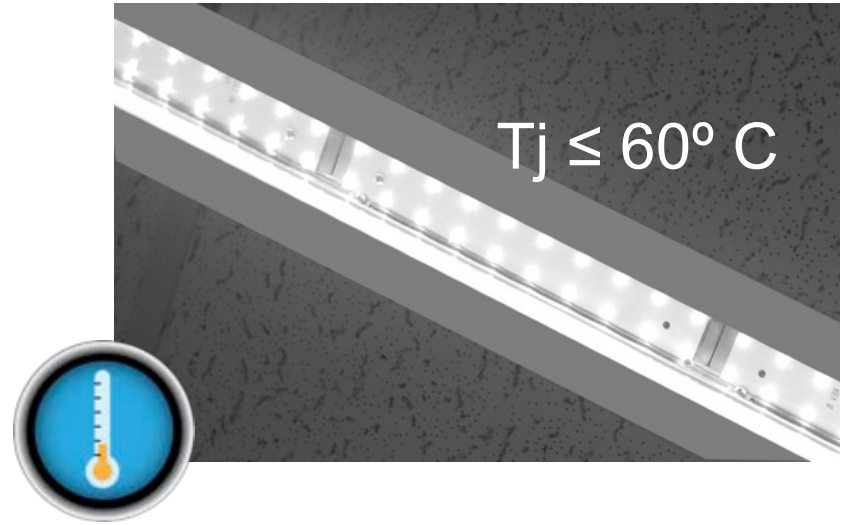
HP-2 Family Collection



LED Design – Long Life



- Life: Delivers 90% light output to 100,000+ hours
- TM21 reports to 200,000+ hours



- Thermal Management: Mid-powered LEDs are spaced evenly to ensure maximum heat dissipation and long life

Tailored Lighting



Project: Shutterfly Discovery Center
Architect: Arizona Lighting Sales
Lighting Designer: Arizona Lighting Sales

10
Working
Days

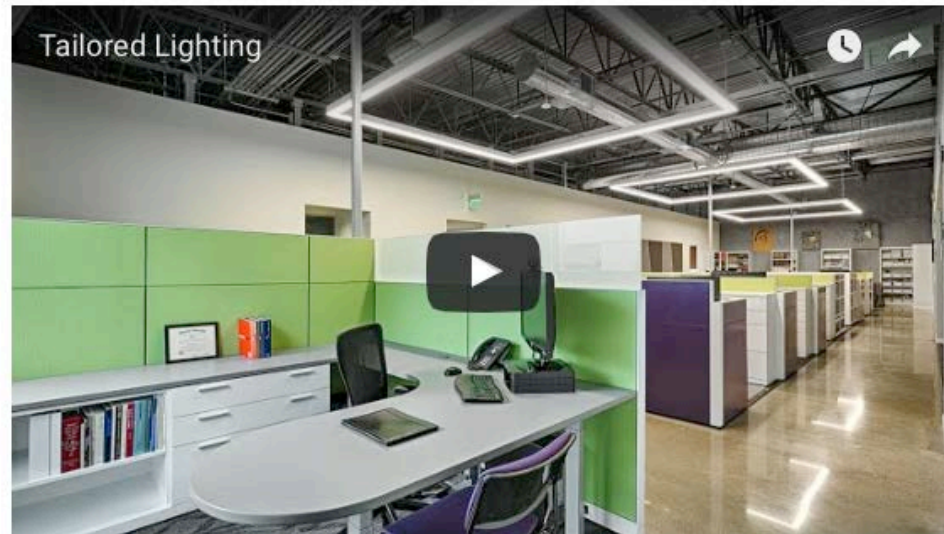
- Any length, 2-foot minimum, in increments down to 1/16th (\pm 1/32") - inch
- Specify 90 degree angles in a single plane
- Projects ship in 10 working days

Video

VIDEO LIBRARY

Tailored Lighting

LED technology has changed the way we light spaces. Let us show you better lighting, Tailored Lighting – lighting tailored to your requirements, to your expectations, to your design. With flexible lengths and configurations, Tailored lighting provides greater design freedom than ever before. Some Tailored Lighting options ship in 10 working days! Watch the video then [click here](#) to learn more.



[Click here to watch the video about Tailored Lighting on YouTube.](#)

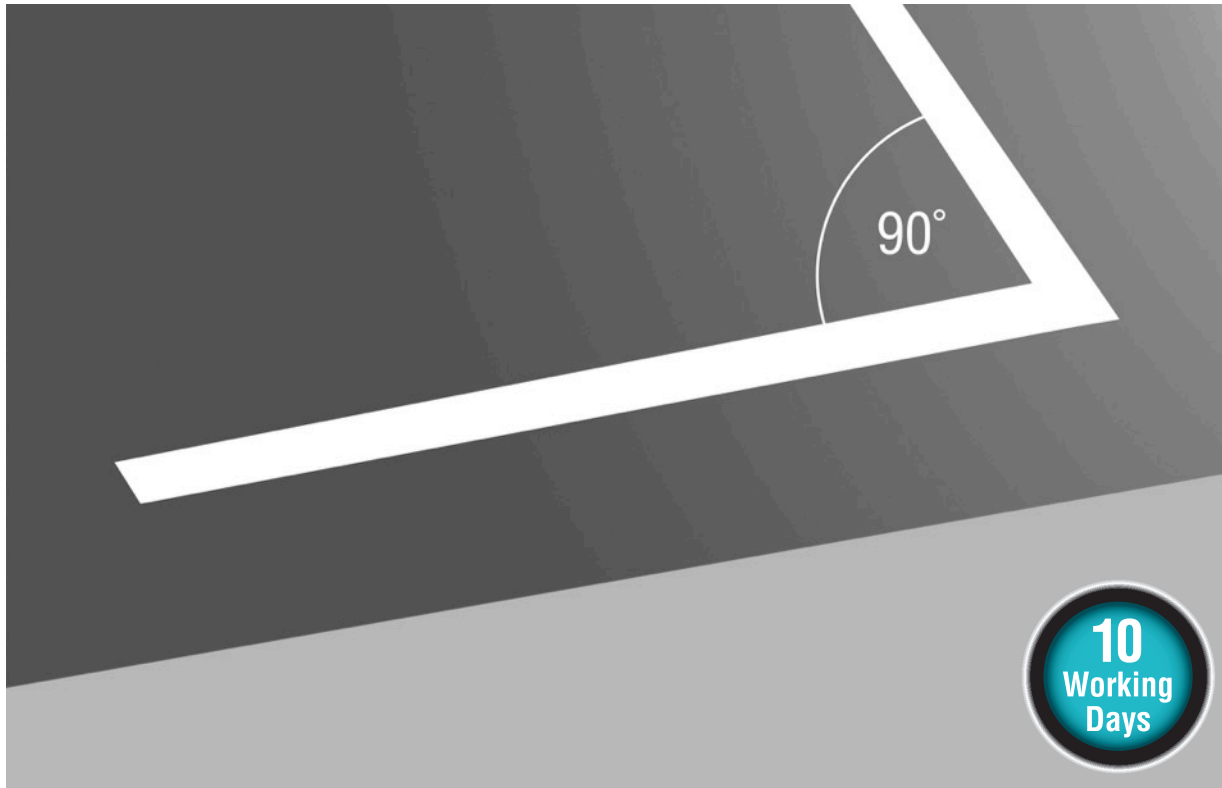
Tailored Lighting - Lengths



Project: Buckley School Library
Architect: Jeffrey M. Kalban and Associates
Lighting Designer: Jeffrey M. Kalban and Associates

- Any length greater than 2 feet, in increments accurate to $1/16''$ ($\pm 1/32''$) - inch

Angles



- 90-degree mitered corners in a single plane
- Corners available from 60°-180°, contact factory

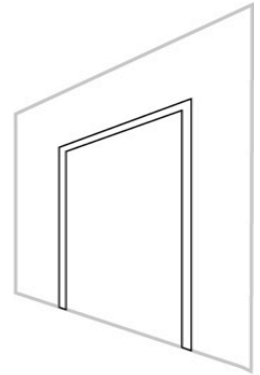
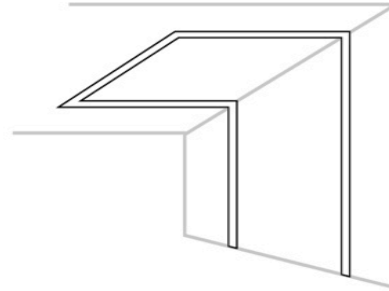
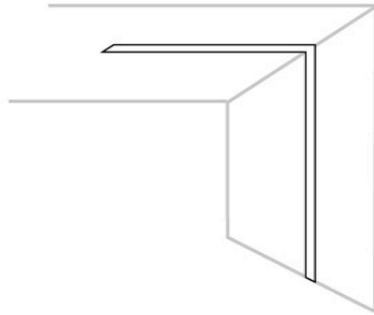
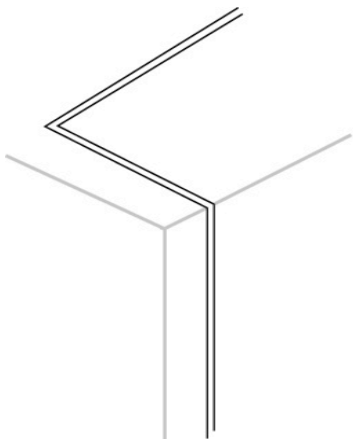
Features

- Any length, 2-foot minimum, in increments down to 1/16th (\pm 1/32") -inch
- 10-working-day shipping on standard orders

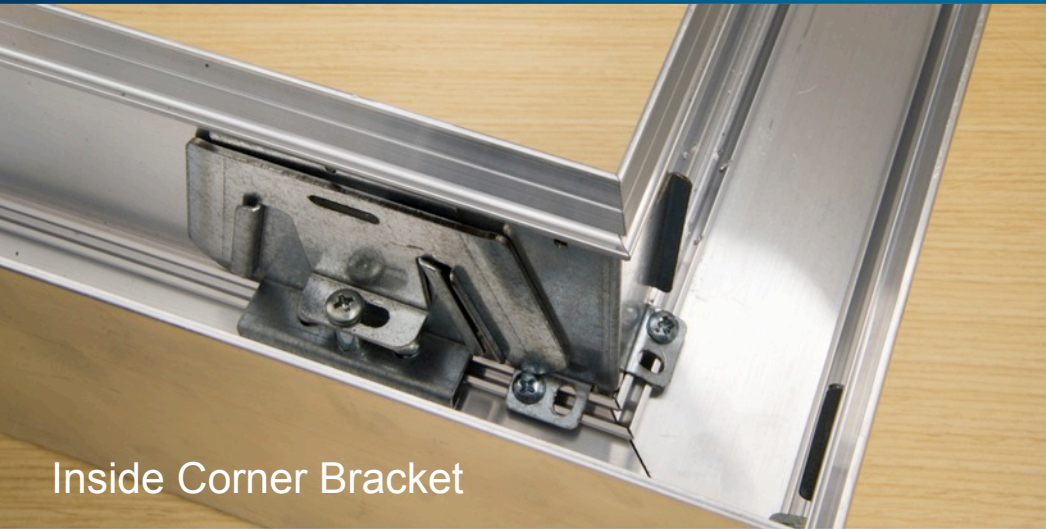


Configurations

HP-2 supports simple to complex configurations.



Joining



Inside Corner Bracket



Outside Corner Bracket

- Corner brackets secure luminaires together easier and faster for a tight joint

Joining

Joint Bracket



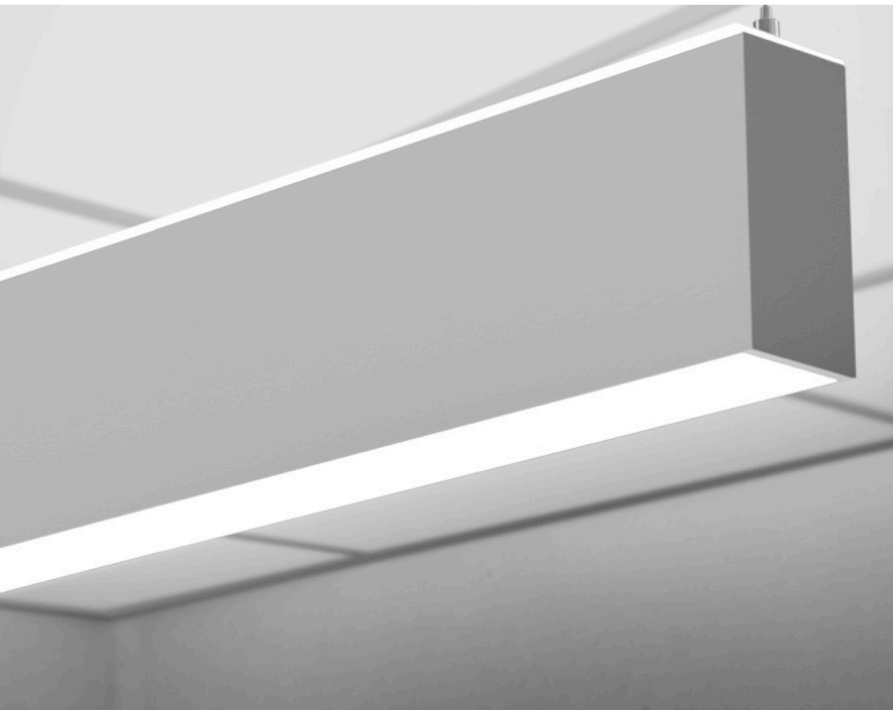
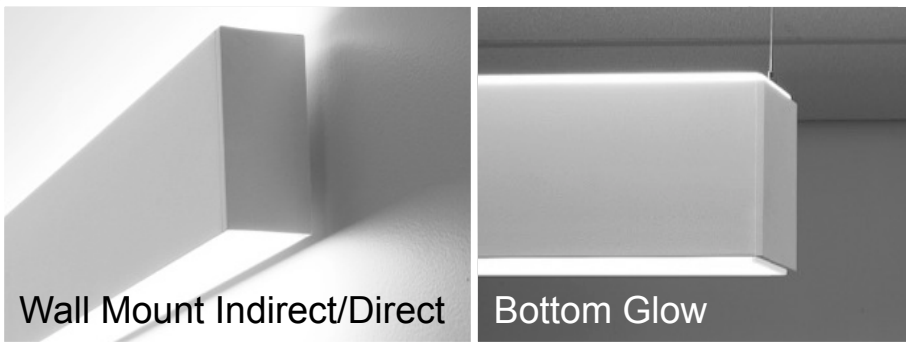
- Linear joiner brackets secure luminaires together easier and faster for a tight joint

Double Diffuser

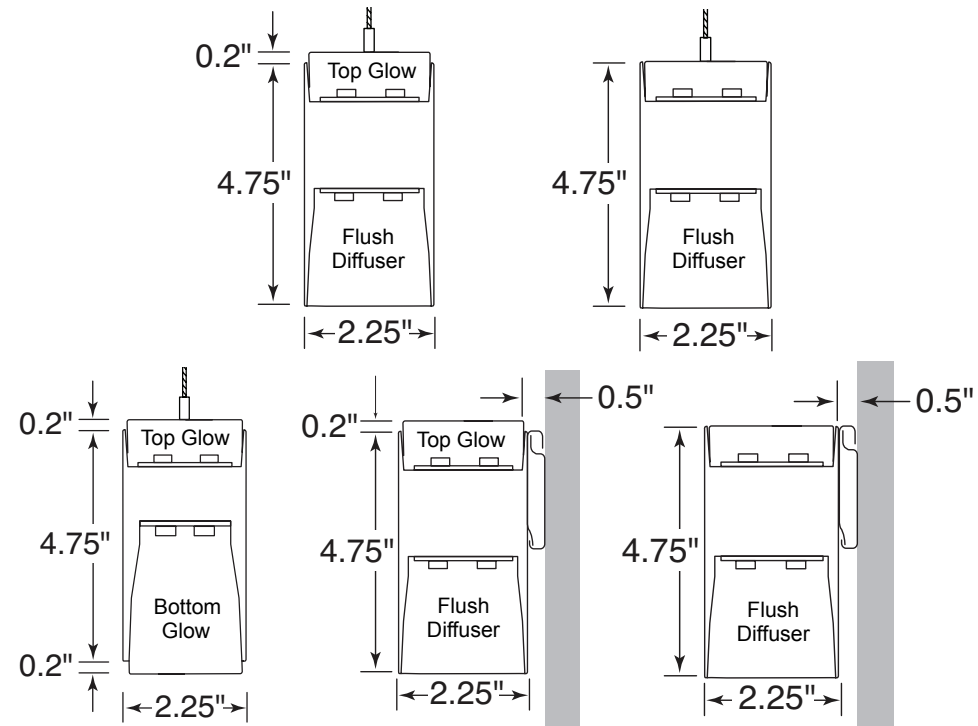


- Corner diffusers prevent possibility of seeing LEDs at joints

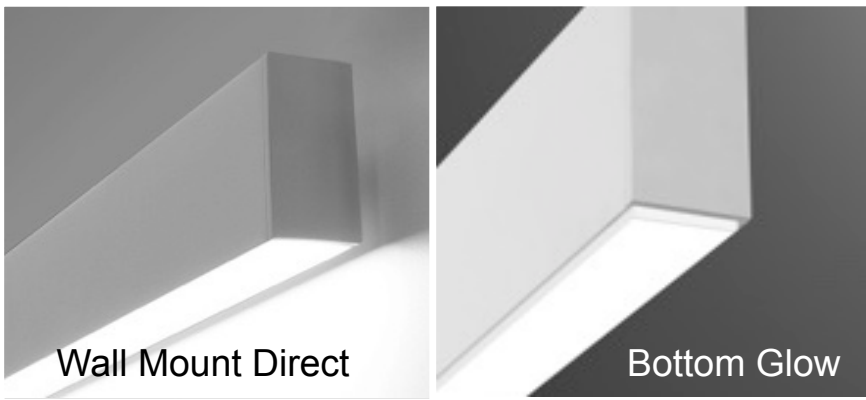
HP-2 Indirect/Direct Pendant



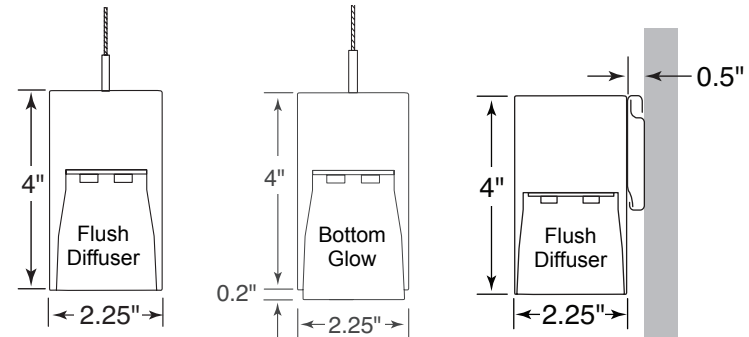
- Standard with Top Glow element
- Bottom Glow™ element optional
- Companion Wall Mount available



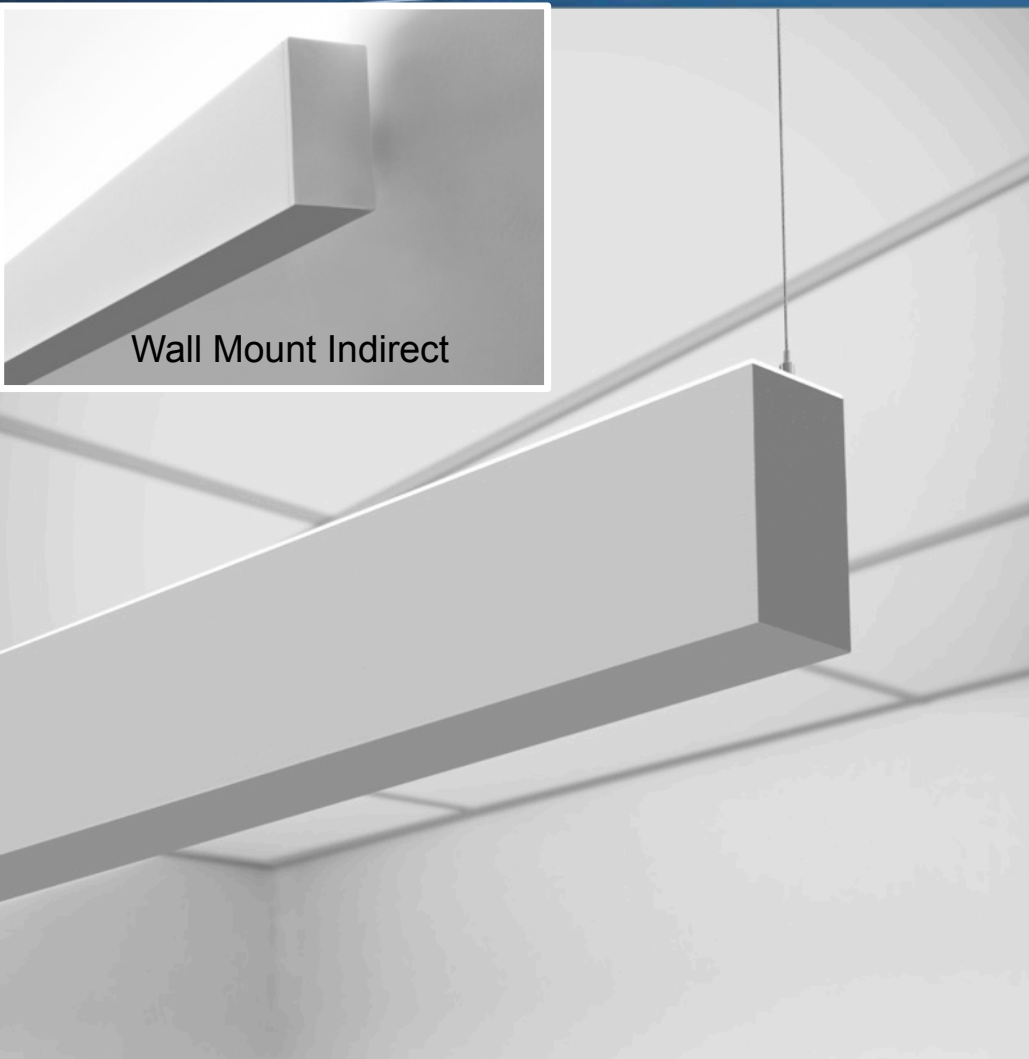
HP-2 Direct Pendant



- Standard with flexible mounting
- Bottom Glow™ element optional
- Companion wall mount available

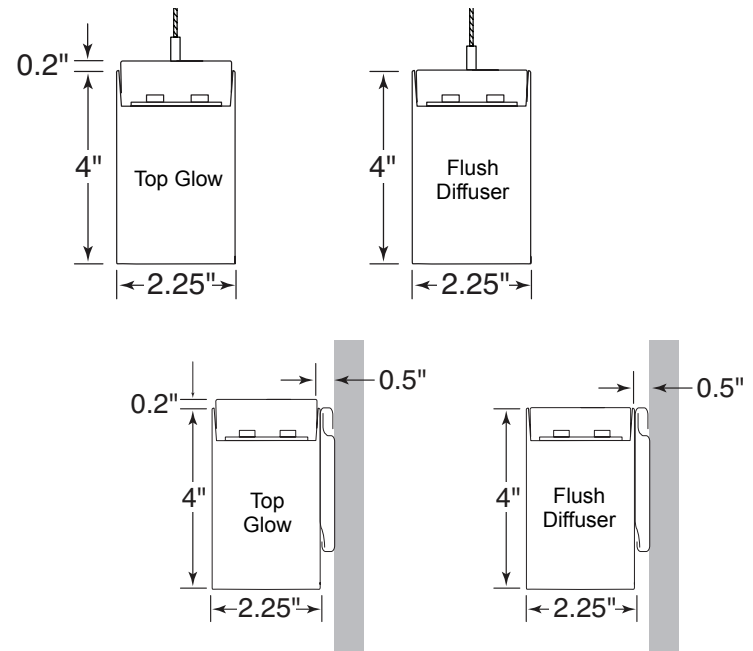


HP-2 Indirect Pendant



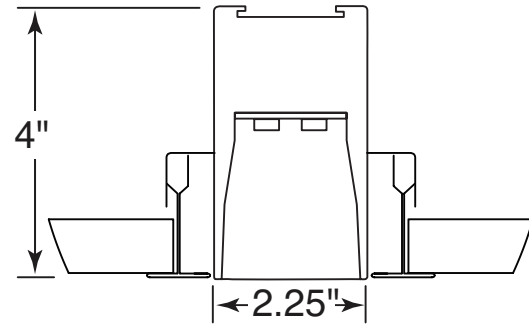
Wall Mount Indirect

- 100% Indirect with Top Glow diffuser standard
- Companion wall mount available

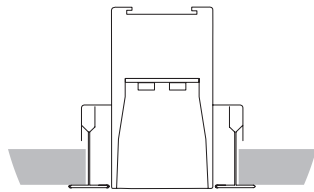


HP-2 Recessed

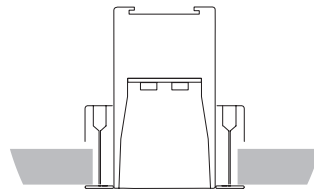
- For ceiling or walls
- Mitered corners for clean, fined look



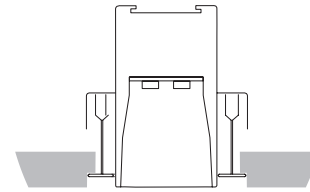
HP-2 Recessed Ceiling Options



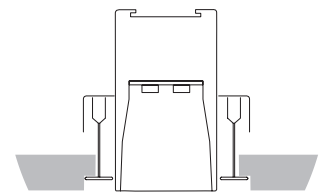
1" T-Bar(C1)



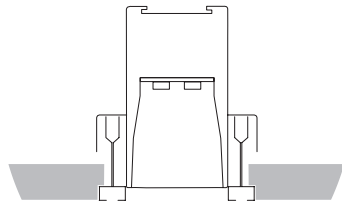
9/16" T-Bar (C2)



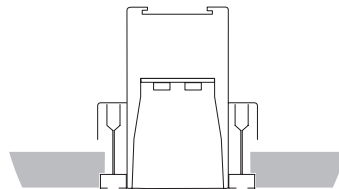
1" TEGULAR (C1T)



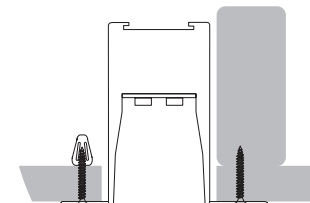
9/16" TEGULAR (C2T)



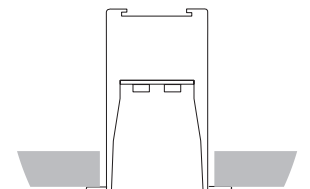
STANDARD SCREW
SLOT (C3)



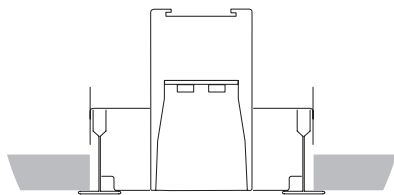
FLUSH SCREW SLOT (C3F)



SPACKLE FLANGE (SF)



VISIBLE FLANGE (VF)

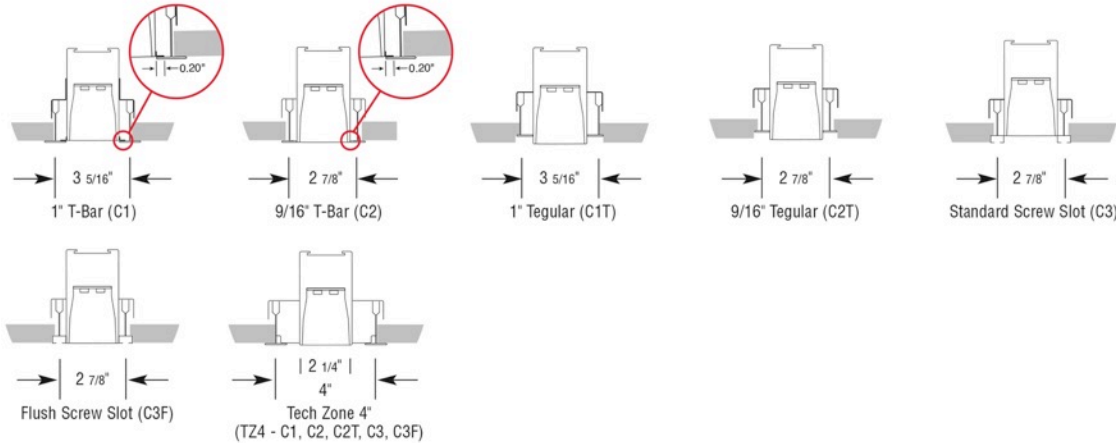


TECH ZONE 4"
(TZ4 - C1, C2, C2T
C3, C3F)



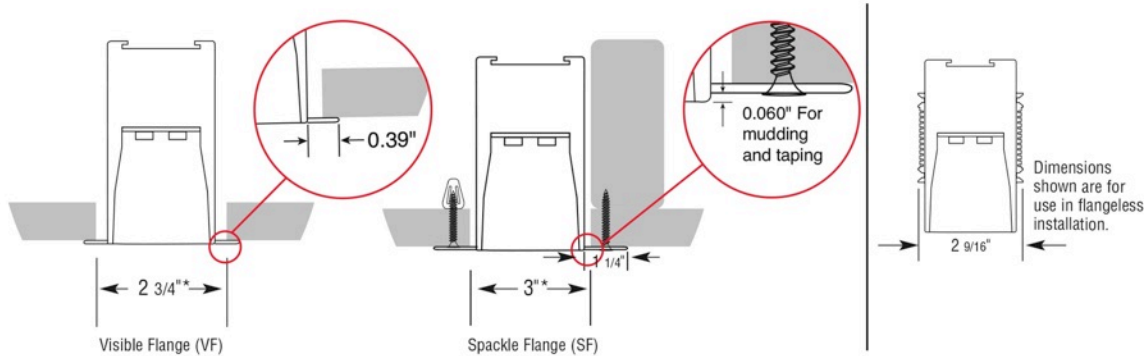
HP-2 Recessed Cutout Dimensions

MOUNTING TYPES: T-BAR Rough-In Dimensions



- Be sure to refer to the tech sheet for ceiling cutouts.
- Cutout dimension is different from the aperture dimension

MOUNTING TYPES: CUTOUT DIMENSIONS



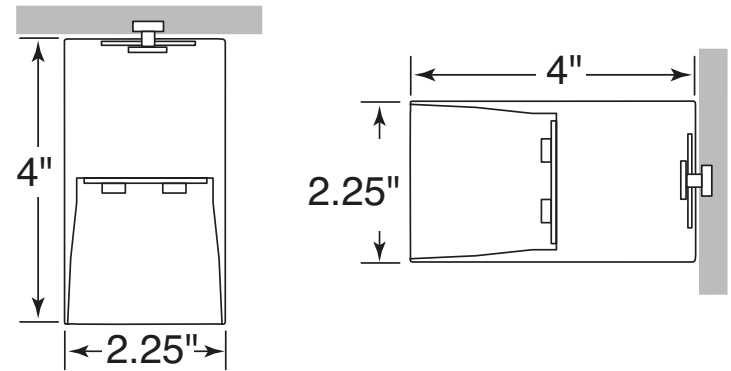
* Note: +/- 1/16"

Protected by one or more US Patents: 8915613; D702,391; D702,390; D700,732; D727,554 S; D727,550 S; D727,551 S

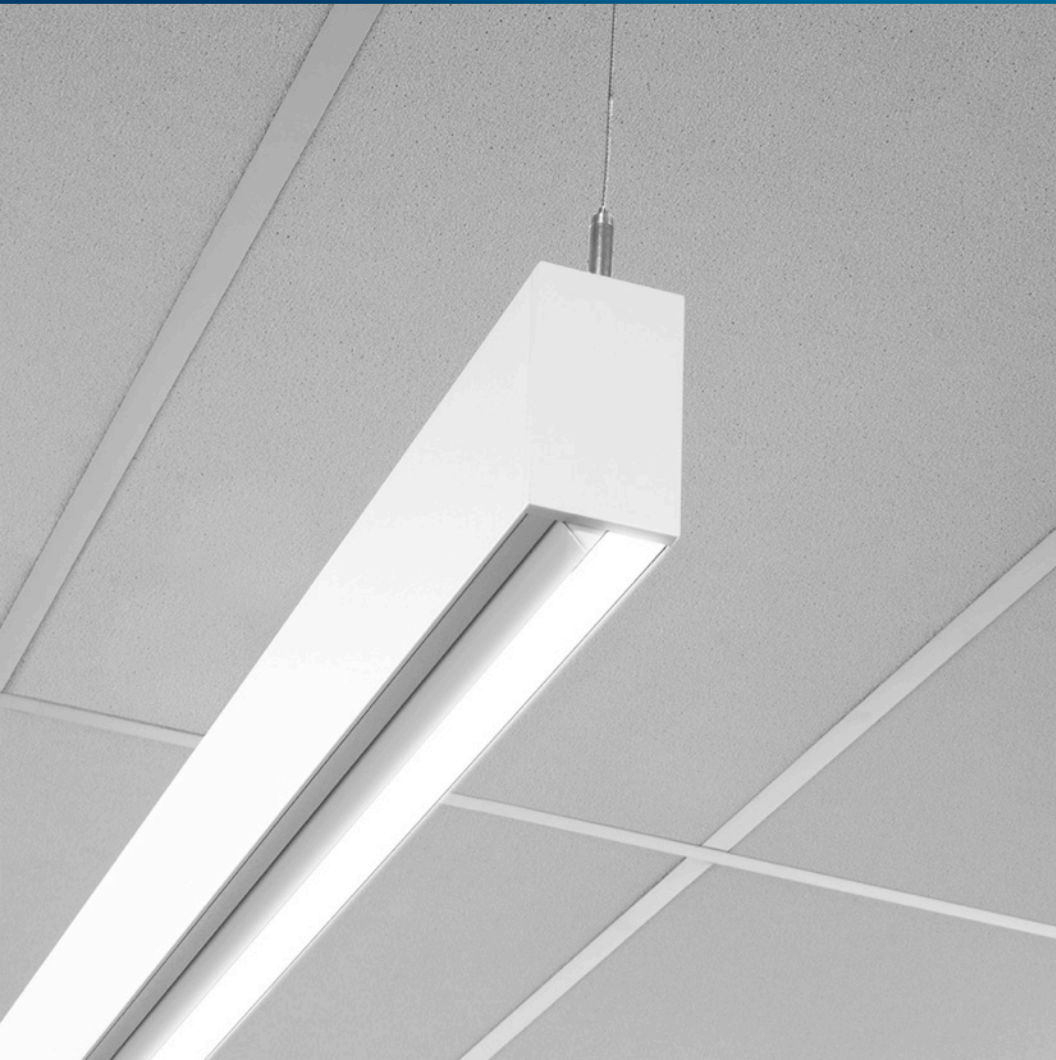
HP-2 Surface Mount



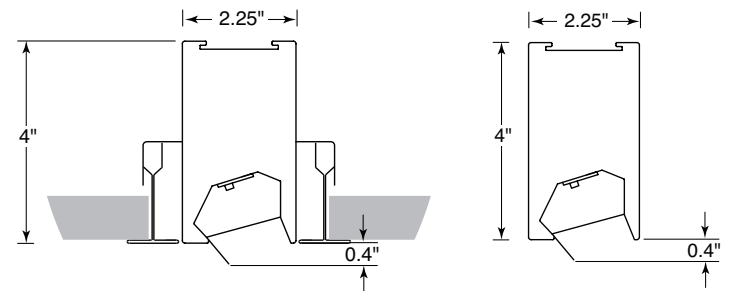
- Bottom Glow™ element optional
- Mount to ceiling and walls
- Horizontal or vertical



HP-2 Wall Wash



- Pendant, recessed, or surface mount options
- Available with kicker for improved performance on wall



With Kicker

Performance

HP- 2 ID

PHOTOMETRY

Very High Output / Very High Output - 4' Luminaire

Distribution: 55% Up (V) / 45% Down (V)

Efficacy: 94.7 lumen per watt

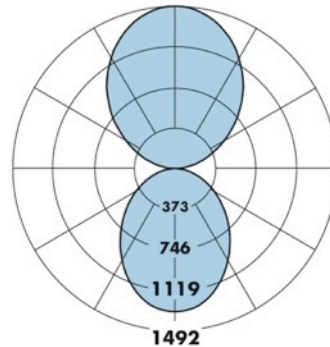
Uplight: 3813 lumens (953 lumens/foot)

Downlight: 3175 lumens (794 lumens/foot)

Total luminaire output: 6988 lumens (1747 lumens/foot)
73.8 watts (18.5 watts/foot)

CCT: 3500K

ITL LM79 Report 85132



CANDLEPOWER SUMMARY						
	0.0	22.5	45	67.5	90	Flux
0	1314	1314	1314	1314	1314	
5	1306	1307	1305	1304	1304	124
15	1241	1233	1231	1225	1220	346
25	1114	1098	1089	1076	1064	501
35	942	925	910	887	877	568
45	749	734	718	693	683	552
55	553	542	526	506	499	470
65	368	360	349	337	332	346
75	203	198	192	187	184	204
85	60	59	58	57	55	64
90	0	0	0	0	0	
95	71	68	68	69	70	77
105	244	241	236	235	234	252
115	442	439	437	427	425	431
125	661	649	653	643	638	581
135	884	871	875	866	866	673
145	1099	1084	1088	1084	1077	679
155	1283	1268	1275	1269	1263	585
165	1415	1405	1408	1406	1403	396
175	1482	1482	1482	1482	1481	141
180	1492	1492	1492	1492	1492	

Performance

HP-2 ID Lumen Distribution Chart

	↑ Indirect		↓ Direct	
Total Light Output, 3500K, 80 CRI (Lumens) - 4' Luminaire				
	↑S*	↑B*	↑H*	↑V**
↓S*	2861 [155% 45%↓]	3262 [180% 40%↓]	4266 [170% 30%↓]	5113 [175% 25%↓]
↓B*	3195 [149% 51%↓]	3596 [155% 45%↓]	4600 [165% 35%↓]	5447 [170% 30%↓]
↓H*	4030 [139% 61%↓]	4431 [144% 56%↓]	5435 [155% 45%↓]	6282 [161% 39%↓]
↓V*	4736 [133% 67%↓]	5137 [138% 62%↓]	6141 [148% 52%↓]	6988 [155% 45%↓]

Light Output, 3500K, 80 CRI (Lumens Per Foot)				
	↑S*	↑B*	↑H*	↑V**
↓S*	715	816	1067	1278
↓B*	799	899	1150	1362
↓H*	1008	1108	1359	1571
↓V*	1184	1284	1535	1747

Power (Watts Per Foot)				
	↑S*	↑B*	↑H*	↑V**
↓S*	7.3	8.2	10.7	12.9
↓B*	8.2	9.2	11.7	13.8
↓H*	10.7	11.7	14.2	16.3
↓V*	12.9	13.8	16.4	18.5

Efficacy, 3500K, 80 CRI (Lumens Per Watt)				
	↑S*	↑B*	↑H*	↑V**
↓S*	98.8	99.5	99.7	99.1
↓B*	97.4	97.8	98.3	98.7
↓H*	94.2	94.7	96.1	96.4
↓V*	91.8	93.0	93.6	94.7

S - Standard Output, B - Boosted Standard Output, H - High Output, V - Very High Output

* Family Correlation based on 4' luminaire 3500K Very High Output (V) test - 120V.

** Correlation based on ITL report: 85132

Lumen Adjustment Factors - 80 CRI	
3000K	0.985
3500K	1.000
4000K	1.032

Lumen Adjustment Factors - 90 CRI	
3000K	0.746
3500K	0.760
4000K	0.789

Apply a lumen adjustment factor to calculate lumens for the desired CCT and CRI.

SAMPLE LUMEN ADJUSTMENT CALCULATION

High Output (H) / Standard Output (S),
4000K, 90CRI

Lumen Adjustment Factor = 0.789

Total Light Output =
4266 lm x 0.789 = 3366 lm

Total Light Output per Foot =
1067 lm/ft x 0.789 = 842 lm/ft

watts/foot = 10.7 W/ft

$$\text{Efficacy} = \frac{842 \frac{\text{lm}}{\text{ft}}}{10.7 \frac{\text{W}}{\text{ft}}} = 78.7 \text{ lm/W}$$

Performance

HP-2 D, HP-2 WM-D, HP-2 R, and HP-2 SM

PHOTOMETRY

Very High Output - 4' Luminaire

Efficacy: 87.1 lumen per watt

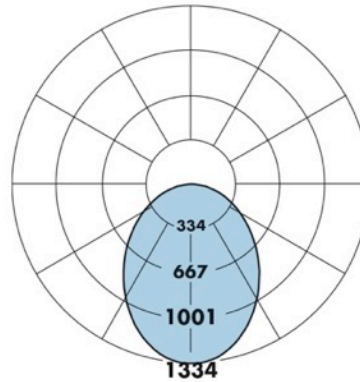
Total luminaire output: 3215 lumens (804 lumens/foot)

37 watts (9.2 watts/foot)

Peak Candela Value: 1334 @ 0°

CCT: 3500K

ITL LM79 Report 85136



CANDLEPOWER SUMMARY						
	0.0	22.5	45	67.5	90	Flux
0	1334	1334	1334	1334	1334	
5	1327	1326	1326	1325	1324	126
15	1263	1252	1251	1244	1236	352
25	1133	1117	1109	1088	1075	508
35	958	942	923	896	887	576
45	762	747	725	697	686	558
55	563	551	532	509	500	475
65	374	365	351	337	331	349
75	206	201	195	188	184	207
85	62	61	59	57	57	66
90	0	0	0	0	0	

Performance

HP-2 D, WM-D, R and SM Lumen Distribution Chart

Total Light Output, 3500K, 80 CRI (Lumens) - 4' Luminaire			
S*	B*	H*	V**
1316	1655	2501	3215

Light Output, 3500K, 80 CRI (Lumens Per Foot)			
S*	B*	H*	V**
329.0	414	625	804

Power, 3500K (Watts Per Foot)			
S*	B*	H*	V**
3.6	4.6	7.1	9.2

Efficacy, 3500K, 80 CRI (Lumens Per Watt)			
S*	B*	H*	V**
90.9	90.0	88.5	87.1

S - Standard Output, B - Boosted Standard Output, H - High Output, V - Very High Output

* Family Correlation based on 4' luminaire 3500K Very High Output (V) test - 120V.

** Correlation based on ITL report: 85136

Lumen Adjustment Factors - 80 CRI	
3000K	0.985
3500K	1.000
4000K	1.032

Lumen Adjustment Factors - 90 CRI	
3000K	0.746
3500K	0.760
4000K	0.789

Apply a lumen adjustment factor to calculate lumens for the desired CCT and CRI.

SAMPLE LUMEN ADJUSTMENT CALCULATION

High Output (H), 4000K, 90 CRI

Lumen Adjustment Factor = 0.789

$$\begin{aligned} \text{Total Light Output} &= \\ 2501 \text{ lm} \times 0.789 &= 1973 \text{ lm} \end{aligned}$$

$$\begin{aligned} \text{Total Light Output per Foot} &= \\ 625 \text{ lm/ft} \times 0.789 &= 493 \text{ lm/ft} \end{aligned}$$

$$\text{watts/foot} = 7.1 \text{ W/ft}$$

$$\text{Efficacy} = \frac{493 \frac{\text{lm}}{\text{ft}}}{7.1 \frac{\text{W}}{\text{ft}}} = 69.4 \text{ lm/W}$$

Performance

HP-2 I

PHOTOMETRY

Very High Output - 4' Luminaire

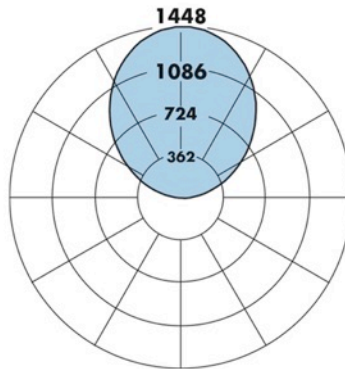
Efficacy: 102.2 lumen per watt

Total luminaire output: 3749 lumens (937 lumens/foot)
37 watts (9.2 watts/foot)

Peak Candela Value: 1448 @ 180°

CCT: 3500K

ITL LM79 Report 85134



CANDLEPOWER SUMMARY						
	0.0	22.5	45	67.5	90	Flux
90	0	0	0	0	0	
95	72	73	73	72	72	80
105	245	243	240	236	237	254
115	439	436	433	424	422	427
125	651	644	642	633	632	573
135	868	856	859	849	846	660
145	1074	1061	1062	1056	1051	663
155	1249	1235	1241	1235	1229	570
165	1374	1366	1370	1367	1365	386
175	1439	1439	1439	1439	1439	136
180	1448	1448	1448	1448	1448	

Performance

HP-2 I Lumen Distribution Chart

Total Light Output, 3500K, 80 CRI (Lumens) - 4' Luminaire			
S*	B*	H*	V**
1535	1929	2916	3749

Light Output, 3500K, 80 CRI (Lumens Per Foot)			
S*	B*	H*	V**
384	482	729	937

Power (Watts Per Foot)			
S*	B*	H*	V**
3.6	4.6	7.0	9.2

Efficacy, 3500K, 80 CRI (Lumens Per Watt)			
S*	B*	H*	V**
106.6	105.6	103.7	102.2

S - Standard Output, B - Boosted Standard Output, H - High Output, V - Very High Output

* Family Correlation based on 4' luminaire 3500K Very High Output (V) test - 120V.

** Correlation based on ITL report: 85134

Lumen Adjustment Factors - 80 CRI	
3000K	0.985
3500K	1.000
4000K	1.032

Lumen Adjustment Factors - 90 CRI	
3000K	0.746
3500K	0.760
4000K	0.789

Apply a lumen adjustment factor to calculate lumens for the desired CCT and CRI.

SAMPLE LUMEN ADJUSTMENT CALCULATION

High Output (H), 4000K, 90 CRI

Lumen Adjustment Factor = 0.789

$$\begin{aligned} \text{Total Light Output} &= \\ 2916 \text{ lm} \times 0.789 &= 2301 \text{ lm} \end{aligned}$$

$$\begin{aligned} \text{Total Light Output per Foot} &= \\ 729 \text{ lm/ft} \times 0.789 &= 575 \text{ lm/ft} \end{aligned}$$

$$\text{watts/foot} = 7.0 \text{ W/ft}$$

$$\text{Efficacy} = \frac{575 \frac{\text{lm}}{\text{ft}}}{7.0 \frac{\text{W}}{\text{ft}}} = 82.1 \text{ lm/W}$$

Performance

HP-2 WW

PHOTOMETRY

Very High Output - 4' Luminaire with Kicker

Efficacy: 76.5 lumen per watt

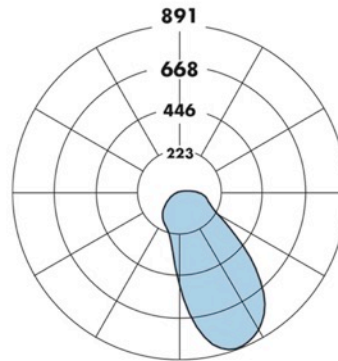
Total luminaire output: 1500 lumens (375 lumens/foot)

19.6 watts (4.9 watts/foot)

Peak Candela Value: 882 @ 25°

CCT: 3500K

ITL LM79 Report 85137



CANDLEPOWER SUMMARY						
	0.0	22.5	45	67.5	90	Flux
0	485	485	485	485	485	
5	652	606	483	378	342	47
15	863	790	470	251	219	145
25	882	829	442	201	184	231
35	795	764	397	168	152	282
45	581	629	333	133	105	277
55	326	436	251	86	62	217
65	196	250	167	43	24	144
75	158	145	88	7	0	87
85	124	97	24	0	0	50
90	93	68	0	0	0	

Performance

HP-2 Wall Wash Lumen Distribution Chart

Total Light Output With Kicker, 3500K, 80 CRI (Lumens) - 4' Luminaire			
S*	B*	H*	V**
614	772	1167	1500

Light Output With Kicker, 3500K, 80 CRI (Lumens Per Foot)			
S*	B*	H*	V**
154	193	292	375

Power With Kicker, 3500K (Watts Per Foot)			
S*	B*	H*	V**
2.0	2.5	3.8	4.9

Efficacy With Kicker, 3500K, 80 CRI (Lumens Per Watt)			
S*	B*	H*	V**
75.9	76.8	77.1	76.5

S - Standard Output, B - Boosted Standard Output, H - High Output, V - Very High Output

* Family Correlation based on 4' luminaire 3500K Very High Output (V) test - 120V.

** Correlation based on ITL report: 85137

Lumen Adjustment Factors - 80 CRI	
3000K	0.985
3500K	1.000
4000K	1.032

Lumen Adjustment Factors - 90 CRI	
3000K	0.746
3500K	0.760
4000K	0.789

Apply a lumen adjustment factor to calculate lumens for the desired CCT and CRI.

SAMPLE LUMEN ADJUSTMENT CALCULATION

High Output (H), 4000K, 90 CRI

Lumen Adjustment Factor = 0.789

$$\begin{aligned} \text{Total Light Output} &= \\ 1167 \text{ lm} \times 0.789 &= 921 \text{ lm} \end{aligned}$$

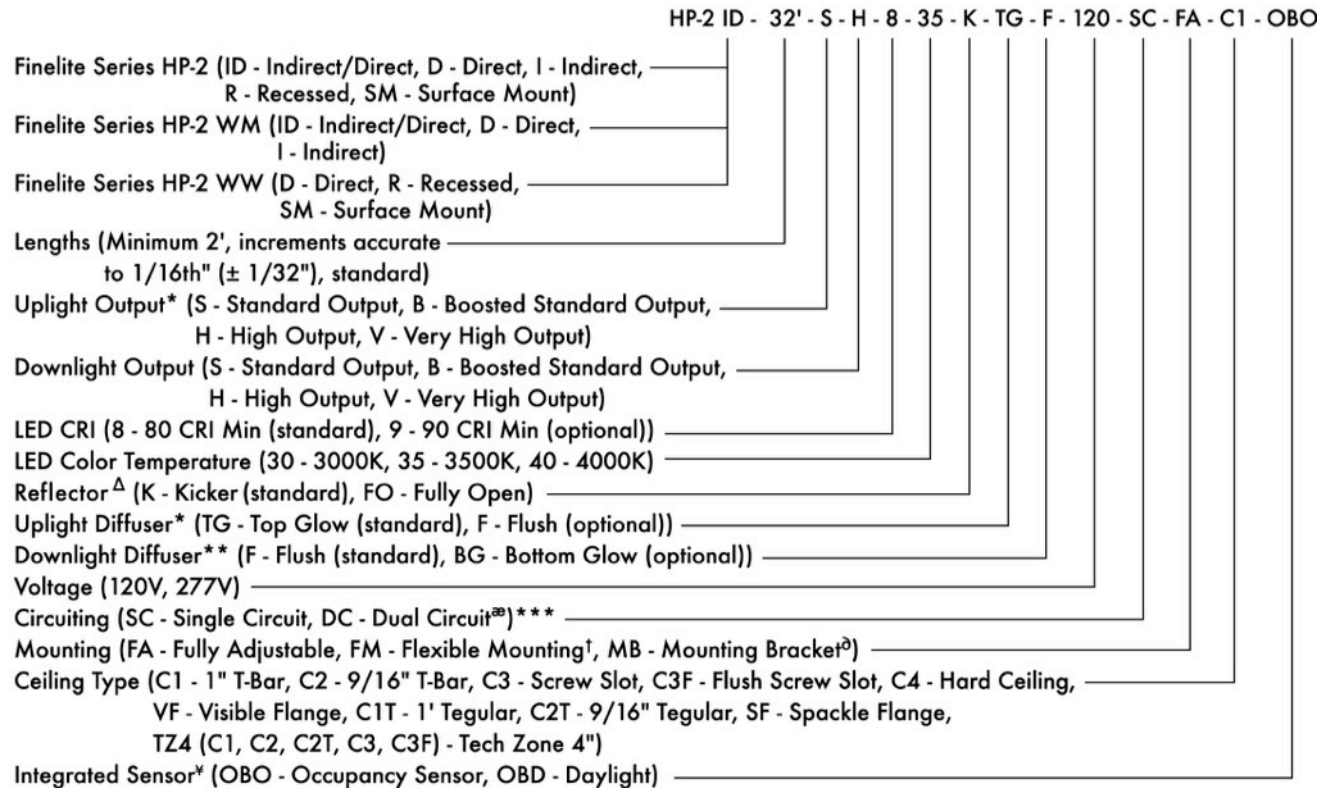
$$\begin{aligned} \text{Total Light Output per Foot} &= \\ 292 \text{ lm/ft} \times 0.789 &= 230 \text{ lm/ft} \end{aligned}$$

$$\text{watts/foot} = 3.8 \text{ W/ft}$$

$$\text{Efficacy} = \frac{230 \frac{\text{lm}}{\text{ft}}}{3.8 \frac{\text{W}}{\text{ft}}} = 60.5 \text{ lm/W}$$

Ordering Information

Ordering Guide



^Δ Wall Wash only

* Available on HP-2 Indirect/Direct and Indirect only

** Available on HP-2 Direct, Indirect/Direct, and Surface Mount only

*** Contact factory for switching options

[⊗] Dual Circuit for Indirect/Direct only.

[†] Available on HP-2 Direct Pendant only

[‡] Available on HP-2 Wall Mount only

^x Not available for Wall Wash

Finelite Commitment To You



- **10-working-day shipping on standard orders**



- **Focus on sustainability**



- **Buy American Act of 2009 Compliant**

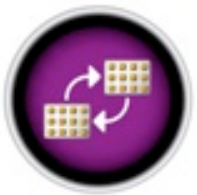
The Finelite LED Difference



- **10-year performance-based warranty**



- **90% of initial light output at 100,000 hours**



- **Replaceable LED light array**



- **Dimming standard**