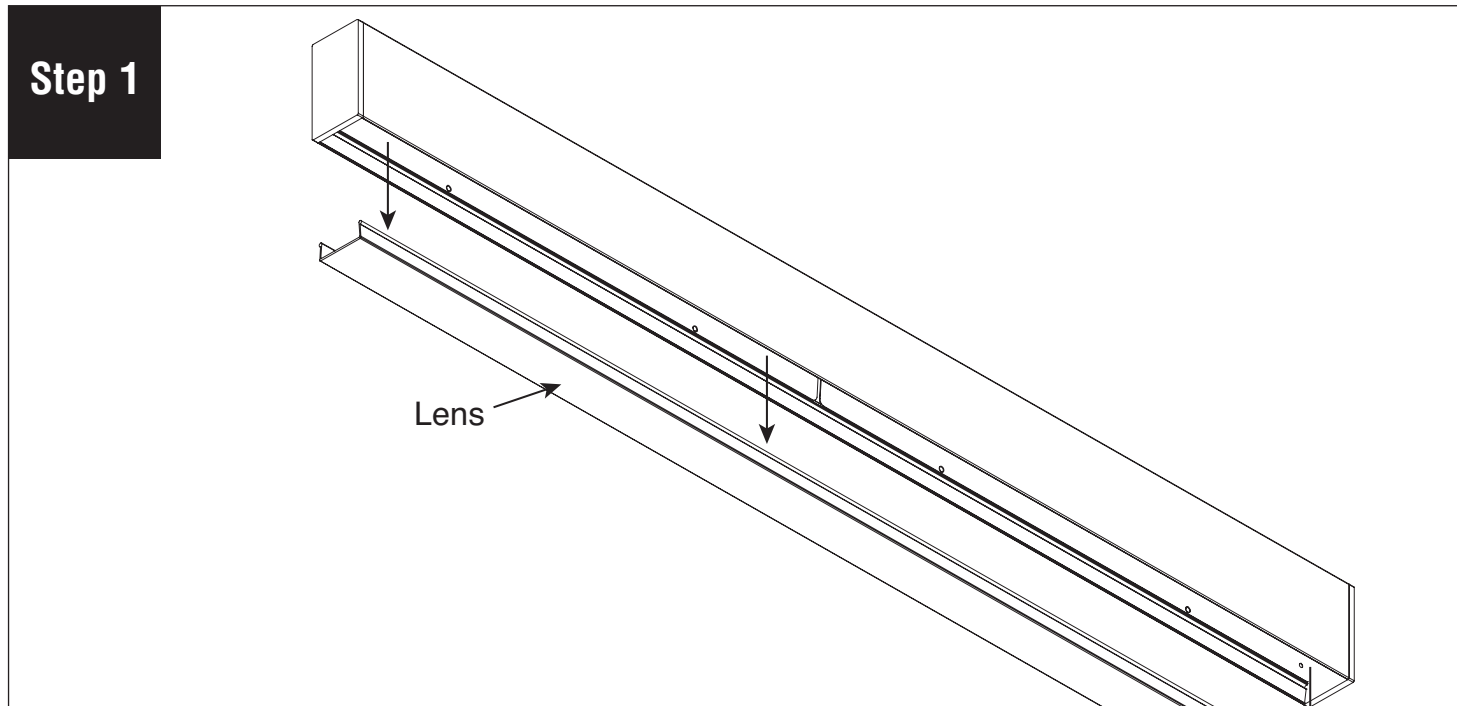
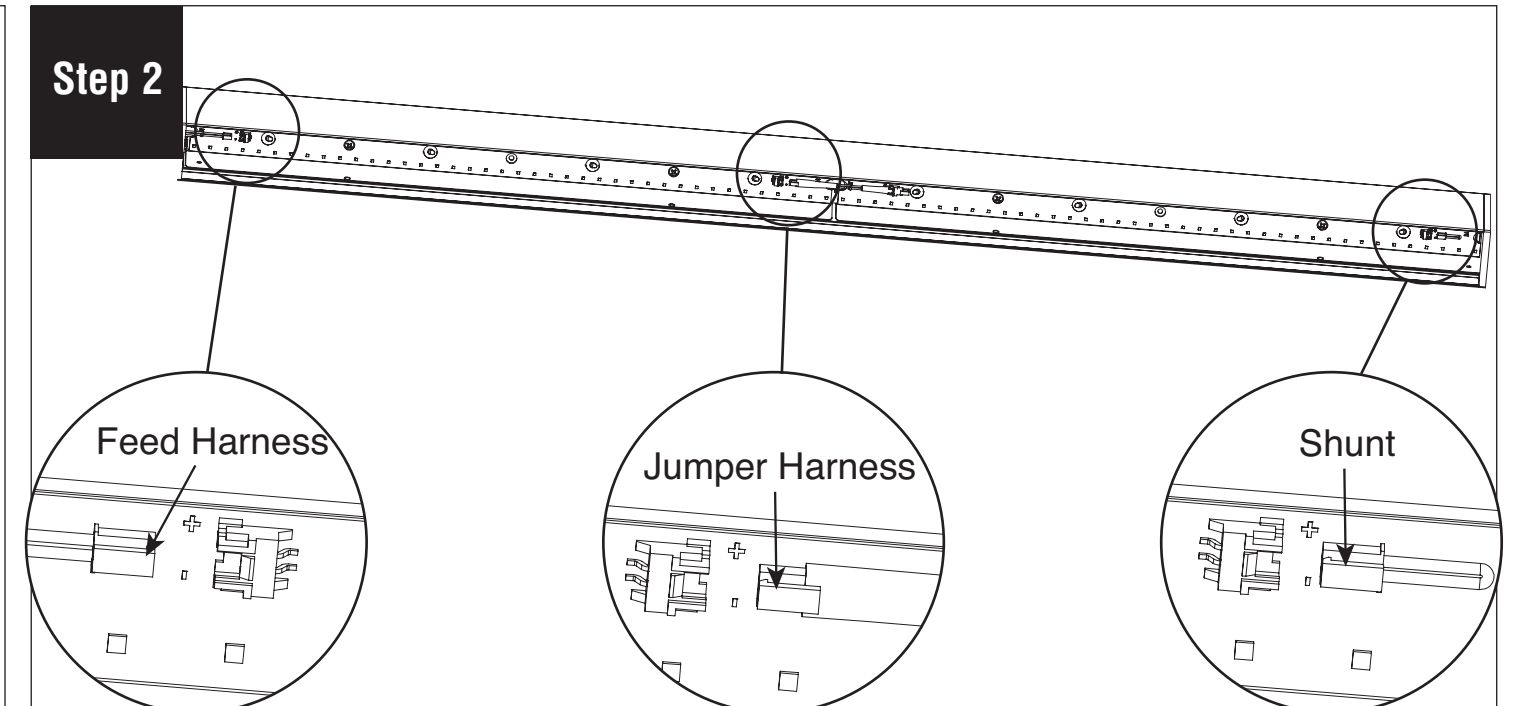


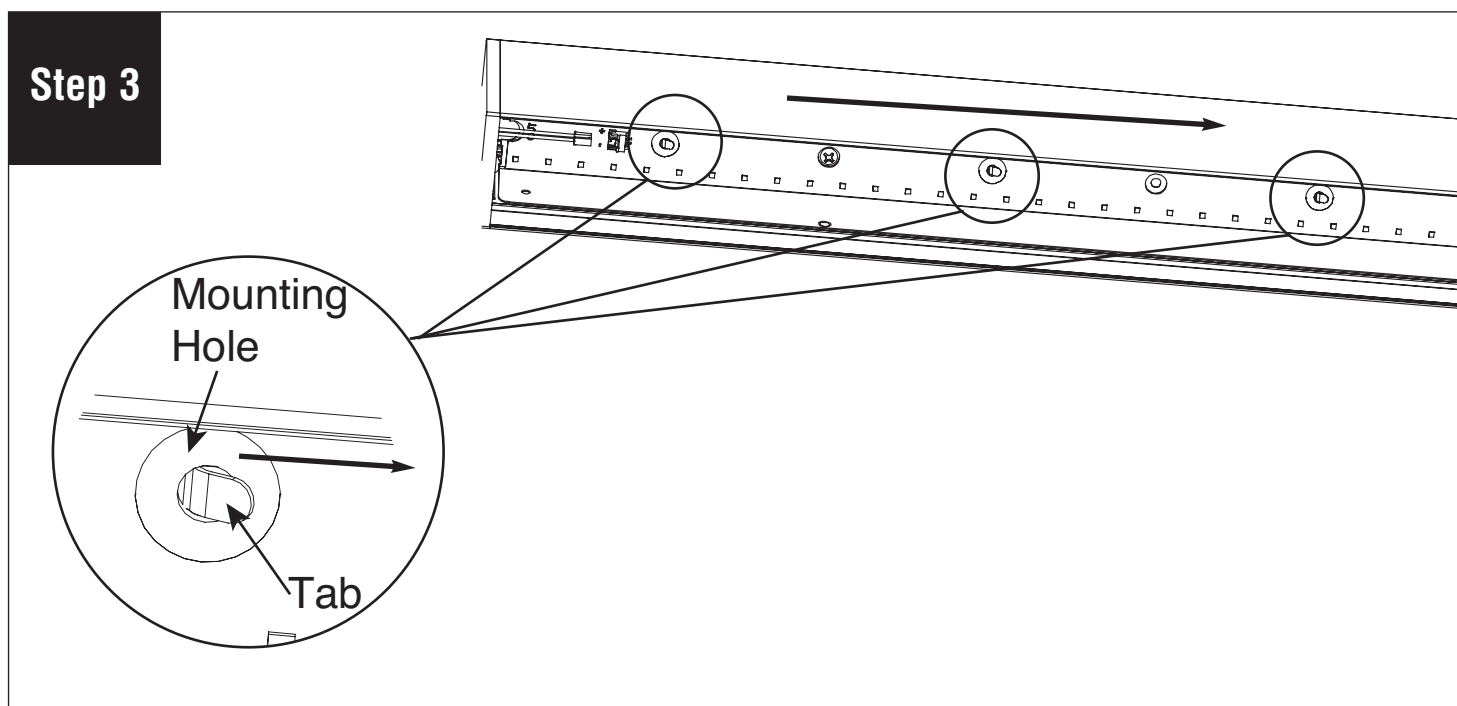
## HP-2 LED Replacement Installation Instructions



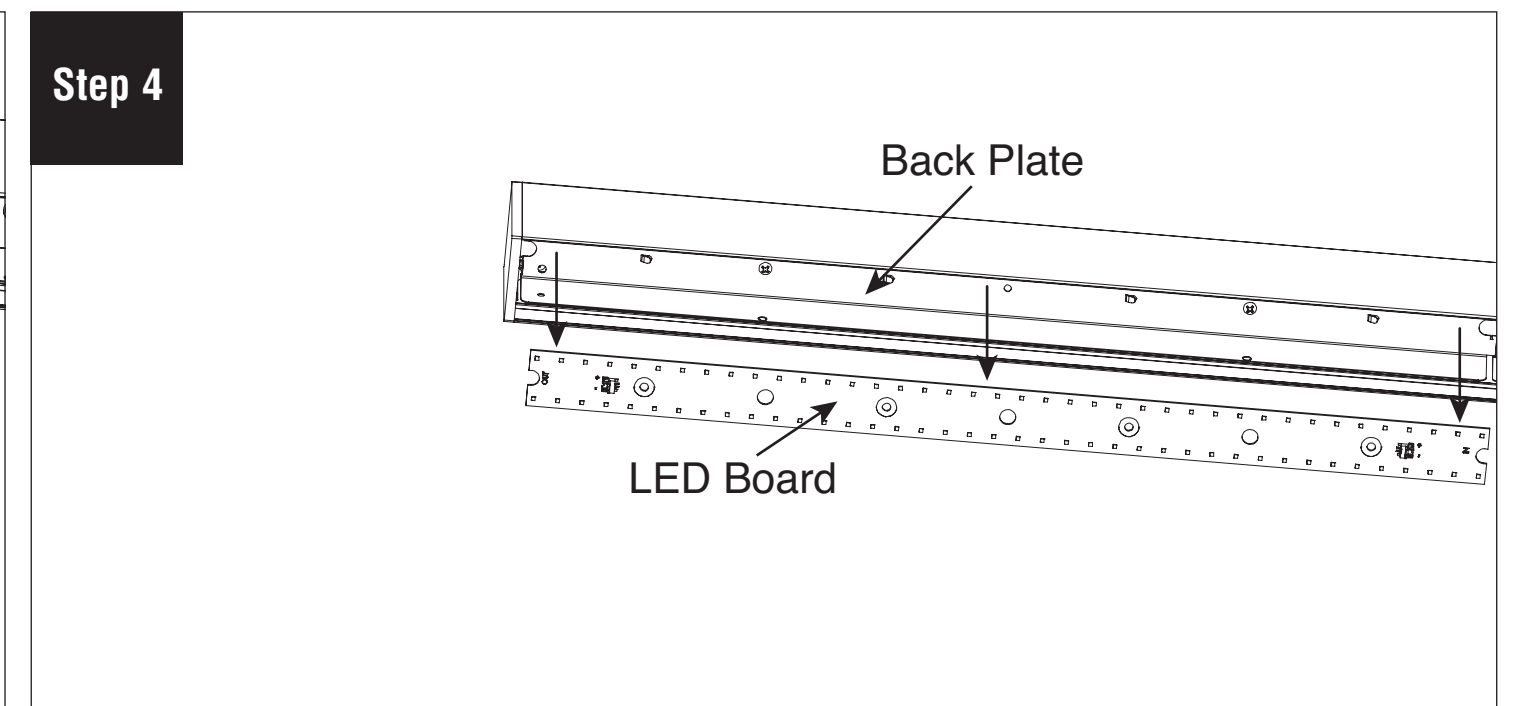
Turn off power. Remove bottom lens and set aside to prevent it from getting dirty or damaged.



Disconnect the feed harness, jumper harnesses and shunt from LED boards.



Shift LED board away from the LED Mounting Tab. Bend tabs open if needed.



Lift LED board away from the back plate. Replace new LED board, bend tabs down to secure. Reconnect feed harness, jumper harness, and shunt. Reinstall lens and turn power on to fixture.