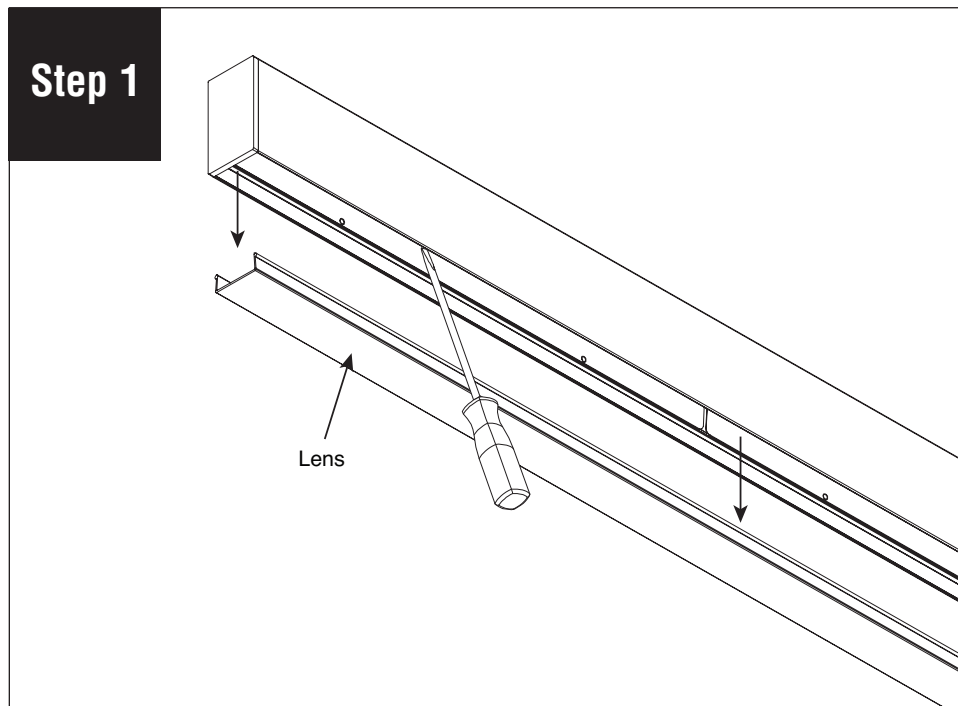
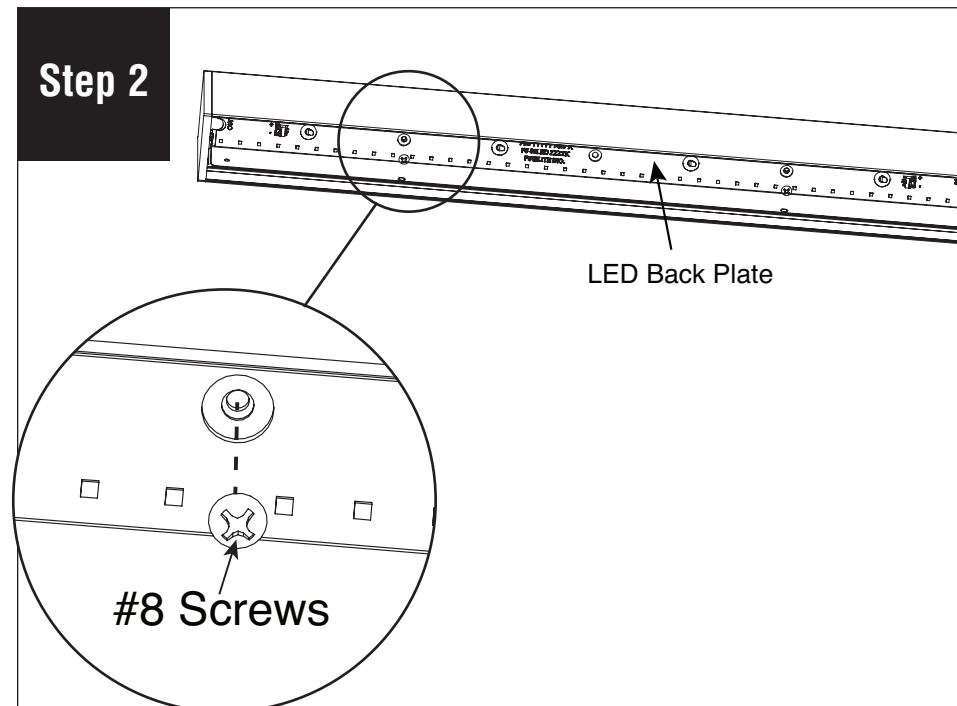


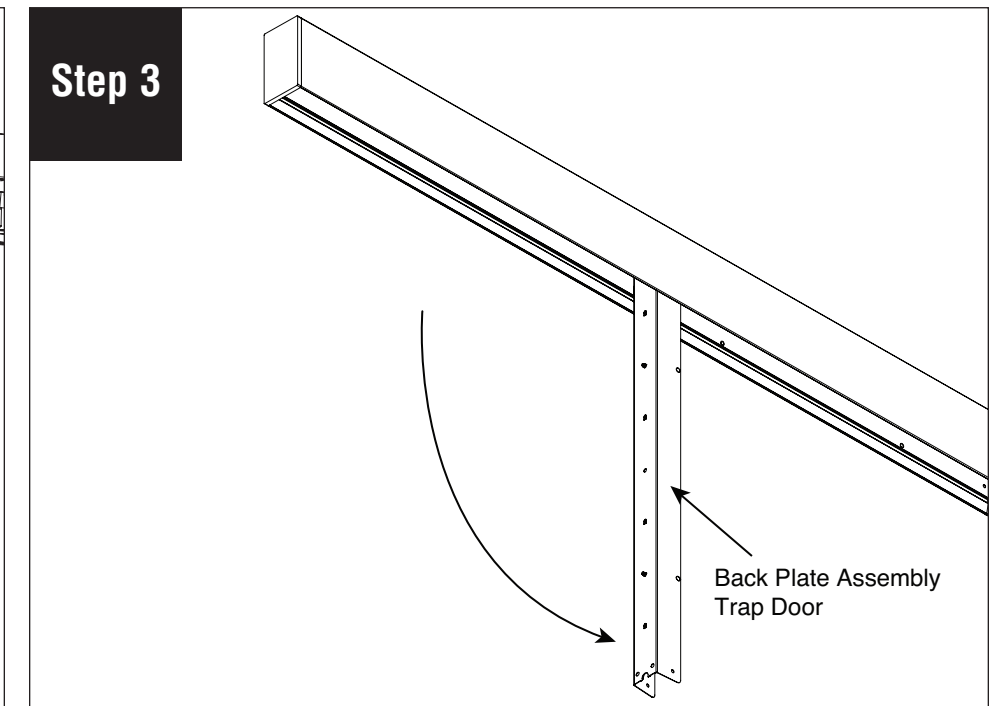
HP-2 Driver Replacement Installation Instructions



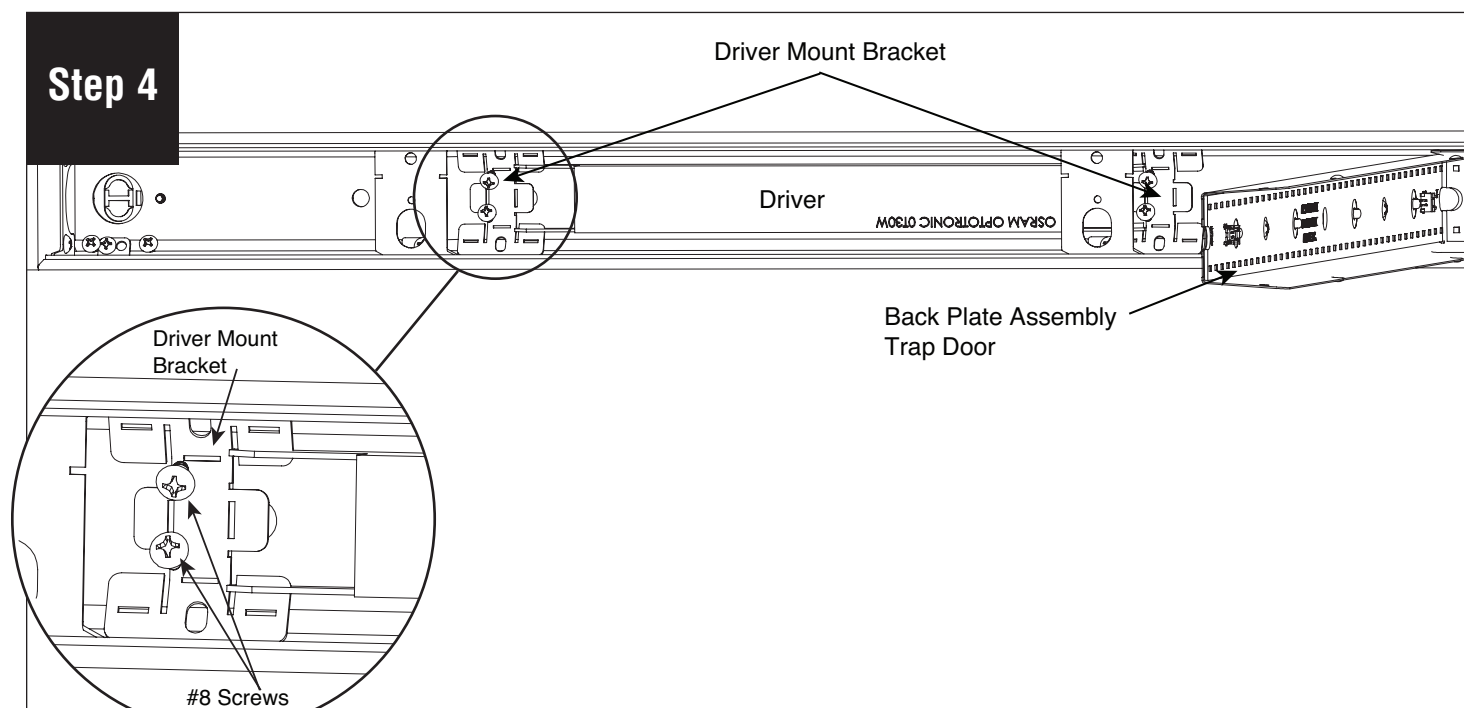
Remove lens and set aside to prevent it from getting dirty or damaged.



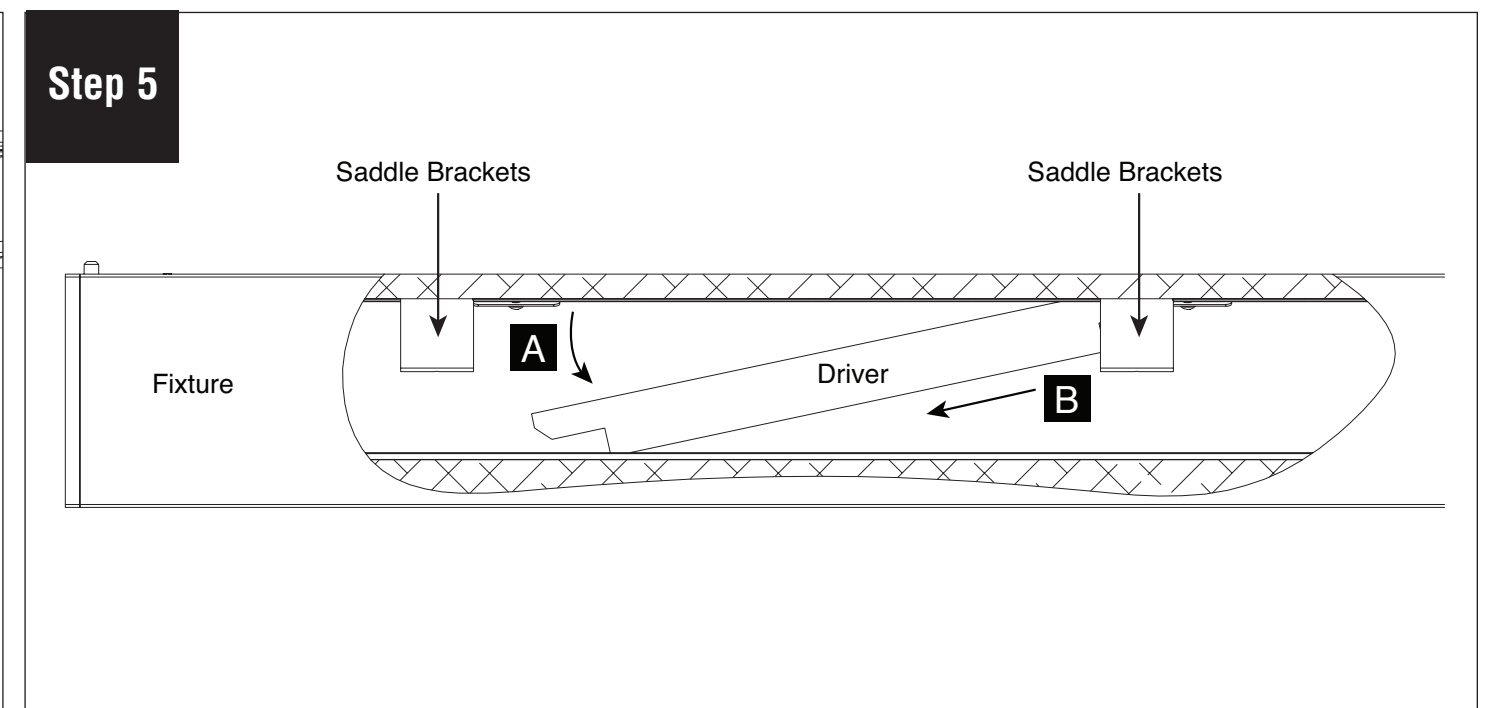
Remove #8 screws from LED back plate.



Open trap door.



Remove #8 screws from driver mount brackets and remove brackets.



Disconnect all wiring from driver. **A.** Angle driver to clear saddle bracket. **B.** Pull driver out of fixture. Replace new driver and reconnect all wiring. Reinstall driver mount brackets and close trap door and fasten with #8 screw.