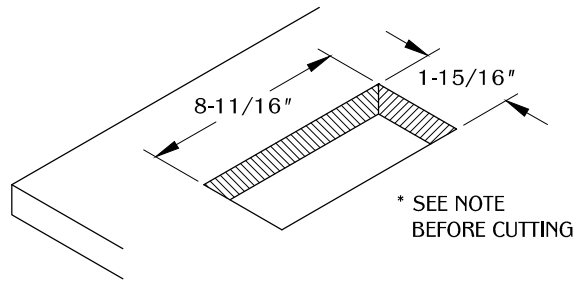


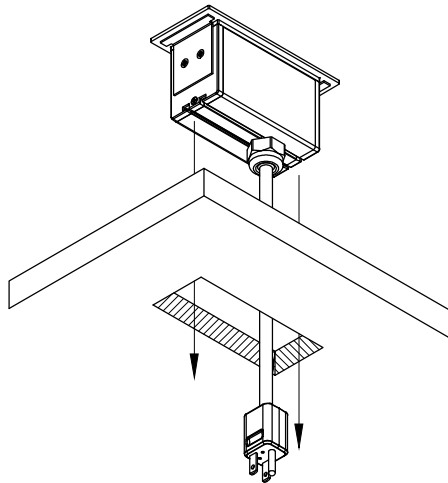
1



* NOTE: Recommended 8-11/16" x 1-15/16" cutout ensures a snug fit. However, tabs on underside of flange will cause unit to sit slightly above surface. For a flush fit, cut 9-3/8" x 1-15/16".

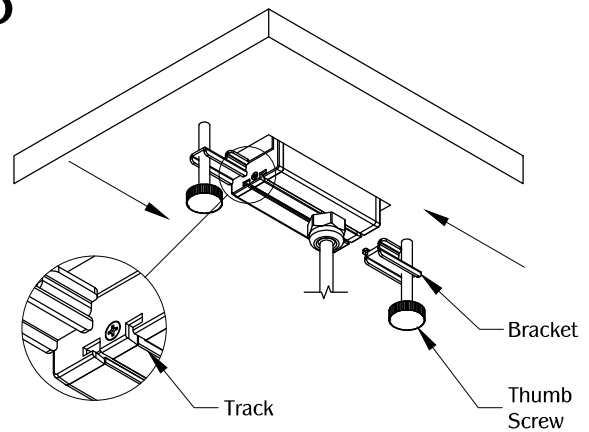
Make a cutout in the desired location on your work surface. Allow enough clearance for unit operation. **DO NOT** place unit where the cable is strained or trapped.

2



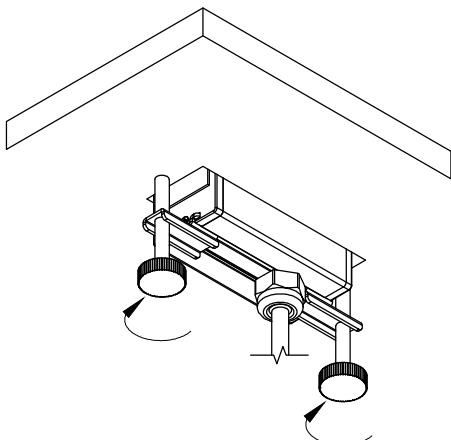
Guide the cord through the cut out. Install the unit into the cutout and make sure it is fully level on the surface.

3



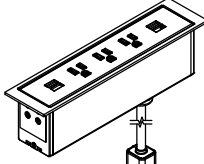


Slide the (2) mounting bracket on to the track at the bottom of the unit. Secure the part by using the (2) thumb screws.

4



Hand-tighten the thumb screws until the unit is secure. Plug the unit into nearby outlet and unit is ready for use.

TABLE OF CONTENTS:

1 X PCS85C/U2 (3 POWER, 2 DUAL USB)
2 X Mounting Bracket
2 X Thumb screws