

LED MULTI-PURPOSE LIGHT (XPG)



US patent D603081 & D611188 & 7828456 and US & Int'l. patents pending

EXPECTED LIFE - Minimum 60,000 hours to 100,000 hours depending upon the ambient temperature of the installation location. See LSI web site for specific guidance.

LEDS - Two LED array choices; 50 and 68. Select high-brightness LEDs. 5300°K color temperature (nominal), 70 CRI nominal.

DISTRIBUTION/PERFORMANCE - Types 5 and S. Excellent uniformity projects light out to illuminate wheel stops and dark corners.

HOUSING/OPTICAL UNIT - The XPG features a slim 4-11/16" profile. Housing is die-formed aluminum with a gasketed clear tempered glass lens providing a water-resistant seal. Weather-tight aluminum enclosure contains factory prewired driver to ensure no water entry.

MOUNTING - Standard mounting is rigid 3/4" pendant mount or direct surface mount to 4" (102mm) octagon box (box by others). Optional mounting of a hook, cord and plug assembly with 3' cord. Optional mountings require specific voltage and are wired at factory. Pendant and direct mount standard with 48" leads and 8" leads respectively. Direct mount features standard quick mount plate with elongated key hole slots to allow alignment of fixtures.

ELECTRICAL - Universal voltage power supply (120-277 VAC, 50/60 Hz).

DRIVER - State-of-the-art driver technology designed specifically for LSI LED light sources provides unsurpassed system efficiency. Driver will operate with input of 120V thru 277V (50/60 Hz). Components are fully encased in potting material for moisture resistance. Driver complies with IEC and FCC standards.

OPERATING TEMPERATURE - -40°C to +50°C (-40°F to +122°F).

FINISH - Each fixture is finished with LSI's DuraGrip® polyester powder coat finishing process. The DuraGrip finish withstands extreme weather changes without cracking or peeling, and is guaranteed for five full years. Standard colors include black, white, and metallic silver.

WARRANTY - LSI LED fixtures carry a limited 5-year warranty.

PHOTOMETRICS - Application layouts are available upon request. Contact LSI Applications Group at lighting.apps@lsi-industries.com

SHIPPING WEIGHT - 14 lbs. (6.35kg)

LISTING - Listed to U.S. and International safety standards. Suitable for wet locations.

LIGHT OUTPUT

Description	# of LEDS	Output	
		Lumens	Watts
XPG 5	50	3789	59
XPG S	50	5225	59
XPG 5	68	4815	79
XPG S	68	6224	79

350mA Drive Current

This product, or selected versions of this product, meet the standards listed below. Please consult factory for your specific requirements.

IP67



Intertek
Suitable for wet locations



Project Name _____ Fixture Type _____

Catalog # _____

05/02/16

© 2016
LSI INDUSTRIES INC.

LED MULTI-PURPOSE (XPG)

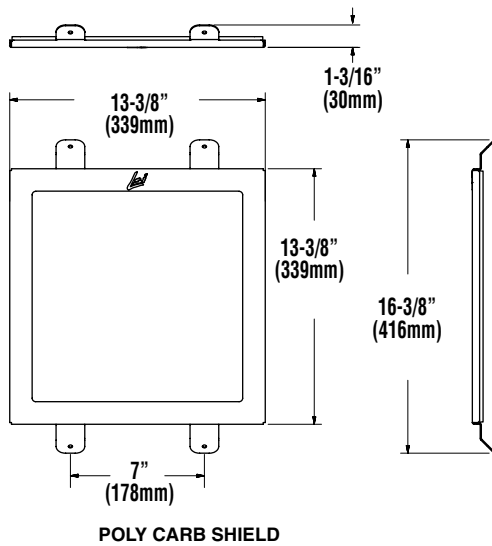
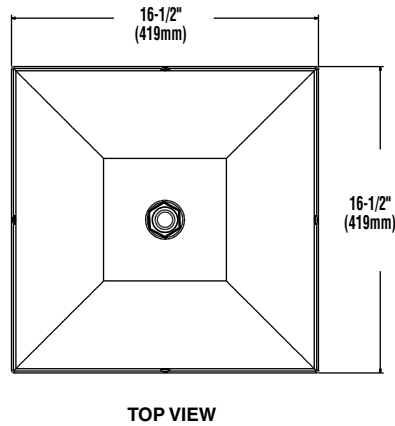
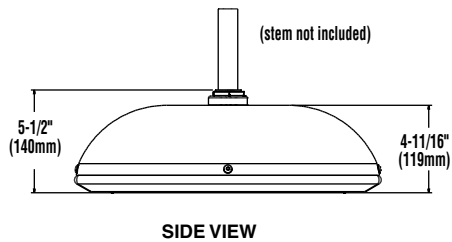
PRODUCT ORDERING INFORMATION

TYPICAL ORDER EXAMPLE: **XPGD S LED 50 CW UE MSV**

Prefix	Distribution	Light Source	Qty. LED's	Color Temp.	Line Voltage	Finish	Options
XPGD - Direct	S - Symmetrical 5 - IES Type V	LED - Light Emitting Diode	50	CW - Cool White (5300° K nom.)	UE - Universal Electronic (120-277)	WHT - White BLK - Black MSV - Metallic Silver	HCPXXX' HCP120 HCP208 HCP240 HCP277
XPGP - Pendant			68				
							ACCESSORIES BG - Bird Guard XPG PCS - Polycarb Shield

1- Must specify voltage as fixture will be wired to specific voltage at factory.

DIMENSIONS



Project Name _____ Fixture Type _____
 Catalog # _____

05/02/16
 © 2016
 LSI INDUSTRIES INC.