

DESCRIPTION

The ASYX 2.0 second generation of asymmetric lighting is designed for general ambient illumination and accenting architectural features. The luminaire allows for both forward and wide distributions as well four different color temperatures to accommodate any space. The ASYX 2.0 utilizes the patented and highly efficient AccuLED Optics™ system for industry leading performance. IP66 rated and optional natatorium finish.

Catalog #		Type
Project		
Comments		Date
Prepared by		

SPECIFICATION FEATURES

Construction

Heavy-wall die cast aluminum end caps with extruded aluminum housing. Housing fins allow for air flow and thermal management. Fixture is rated to 40°C. Weight: 42 lbs/ fixture head (Includes housing and knuckle. Pendant stem weight varies)

Electrical

Standard drivers feature electronic universal voltage (120-277V/ 50-60 Hz), greater than 0.9 power factor, less than 20% harmonic distortion, and ambient temperature range of 40°C (104°F) to minimum starting temp of -30°C (-22°F). 0-10V dimming standard with DALI option available. Max amp draw @120V is 1.5 Amps.

LED Optics

ASYX 2.0 luminaire utilizes patented, high efficiency AccuLED Optics with specific optical distributions. Each lens is injection molded for precision, arranged and sealed onto a board substrate. LEDs are industry leading high output with standard product at 93% lumen maintenance at 60,000 hours. Offered in 80+ CRI for 2700K, 3000K, and 3500K

CCT, and 70+ CRI for 4000K CCT. The ASYX 2.0 also offers +/- 90°, or 180° rotated optics.

Mounting

Die cast adjustable knuckle, bolts to housing. Fixture mounts to recessed junction box (by others) using wall plate, or surface mount box with conduit entry option. See installation instructions for mounting conditions to ensure adequate support. Fixture has continuous adjustability, 20° up to 20° down with locking mechanism, as well as upward facing or downward facing.

Finish

Fixture housing is coated using electrostatically charged polyester powder coat paint for superior protection against fade and wear. Mounting plate and all accessories to match specified color of luminaire housing. Standard colors include white, silver, black, bronze, and custom RAL color match available.

Compliance

Components are UL recognized and luminaires are cULus listed for 40°C ambient environments, wet location

listed, and RoHS compliant. IP66 Rated.

Environment

Suited for indoor, outdoor (wet location listed, IP66 rated)

Natatorium

Construction consists of specialized protective coating on all metal components, stainless steel hardware, and sealed LEDs. 80% lumen maintenance at 60,000 hours. Salt Fog testing per ASTM B117-73.

Control

Standard offering is 0-10V dimming and energy saving integral sensor device available. 0-10V dimming current draw is 0.2 mA per driver. Digital Addressable Lighting Interface (DALI) driver option can be used with Fifth Light Technology.

Life and Warranty

Standard five-year limited warranty on all parts.



ASYX-DP L3

LED

Dual Pendant

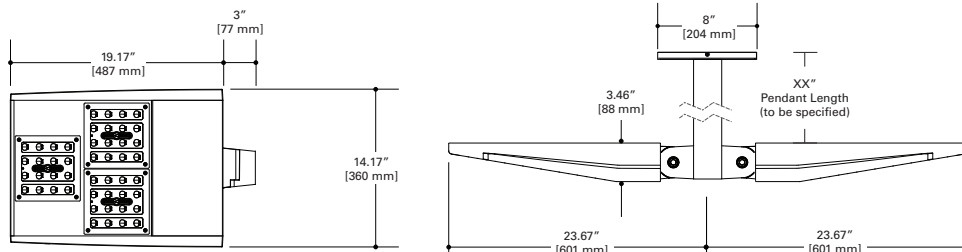
Asymmetric Direct
Asymmetric Indirect

CERTIFICATION DATA

UL/cUL Wet Location Listed
LM79 / LM80 Compliant
IP66 Rated

ENERGY DATA

>0.9 Power Factor
<20% Total Harmonic Distortion
120V - 277V 50/60 Hz
-30°C Min Temperature
40°C Max Temperature

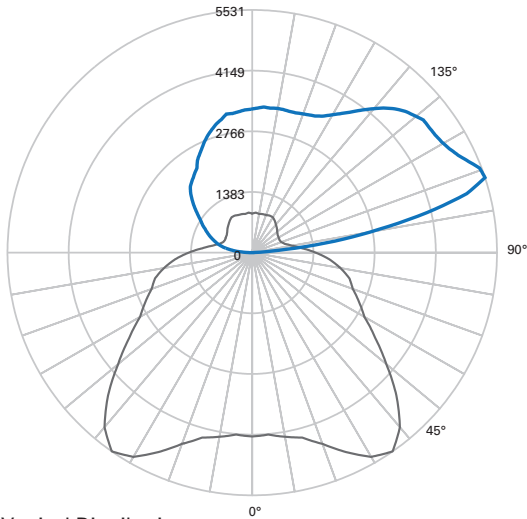


ORDERING INFORMATION

Sample Number: ASYX-DP-L3-ID-U-F-L35-1-UNV-W-R-60-STD-SV-R90

Series	Mounting	Size	Light Level	Environment	Orientation ⁽¹⁾	Distribution	Color Temperature	# of Circuits	Input Voltage
ASYX - Asymmetric LED Luminaire	DP = Dual Pendant	L = Large	3 = 3 Light Squares (see Color Temp for CCT, lumen output, and wattage)	ID = Indoor OD = Outdoor NT = Natatorium	U = Uplight D = Down light	F = Forward Throw W = Wide Throw	L27 = 12138 lumens 158 watts forward throw L30 = 12768 lumens 158 watts forward throw L35 = 13398 lumens 158 watts forward throw L40 = 15120 lumens 158 watts forward throw L27 = 12285 lumens 158 watts wide throw L30 = 12923 lumens 158 watts wide throw L35 = 13561 lumens 158 watts wide throw L40 = 15304 lumens 158 watts wide throw	1	UNV
Finish	Mounting Surface	Pendant Length	Driver	Integral Control ⁽¹⁾ (Optional)	Optical Orientation (Optional)	Options (Optional)	Accessories ⁽²⁾ (Optional)		
W = White S = Silver B = Black Z = Bronze C = Custom Color	R = Mounting Plate C = Surface Canopy AR = Adjustable sloped Adapter for recessed junction box AC = Adjustable sloped Adapter for surface mount (conduit)	24 = (24" pendant stem) 30 = (30" pendant stem) 36 = (36" pendant stem) 48 = (48" pendant stem) — = Custom length. (Specify length from 24" to 120")	STD = Standard 0-10V 5LTDAC = Fifth Light DALI DAC	SV = Integral Occupancy Sensor/ Daylight Sensor	R90 = Optics Rotated 90° right from standard L90 = Optics Rotated 90° left from standard 180 = Optics Rotated 180° from standard	RM = Rigid Fixed Knuckle FM = Flush Mount	ISHH-01-A = Programming Remote for integrated sensor ISHH-02-A = Personal Control Remote for integrated sensor		

PHOTOMETRICS



FILE NAME: ASYX-L3-F-X-X-L40-1-STD-UNV

LAMP: 4000K

LUMENS: 15119.8

INPUT WATTS: 160.1 W

EFFICACY: 94.4 LPW

TEST REPORT: P166567

ZONAL LUMEN SUMMARY

Zone	Lumens	% Fixture
90°-100°	483.1	3.2
100°-110°	2032	13.44
110°-120°	2766.5	18.3
120°-130°	2715.8	17.96
130°-140°	2457.6	16.25
140°-150°	1979.7	13.09
150°-160°	1459.9	9.66
160°-170°	913.9	6.04
170°-180°	311.2	2.06
0°-180°	15119.8	100

Vertical Distribution through peak candela

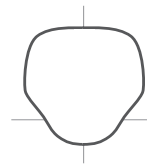
Horizontal Distribution through peak candela

LUMEN MAINTENANCE

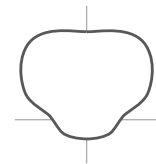
Ambient Temperature	TM-21 Lumen Maintenance (60,000 Hours)	Theoretical L90 (Hours)
25°C	> 96%	130,000
35°C	> 93%	91,000
40°C	> 95%	117,000

DISTRIBUTION

F - Forward Throw Distribution

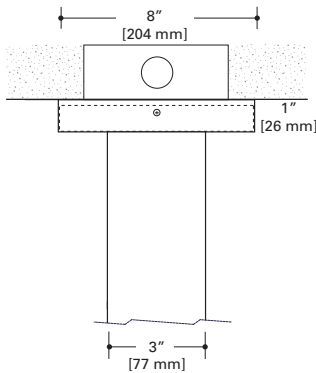


W - Wide Throw Distribution

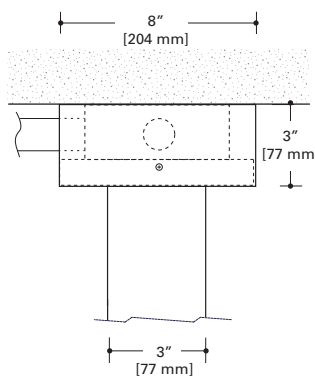


MOUNTING

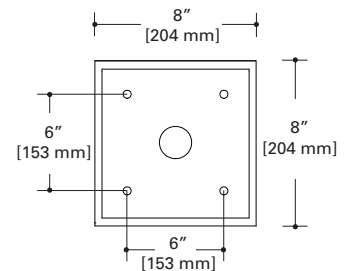
R - Recessed junction box option: 8.4" x 5" wall plate mounts to standard junction box.



C - Conduit Entry option: Surface metal box fits over standard junction box with conduit entry option on all sides.



Mounting Plate



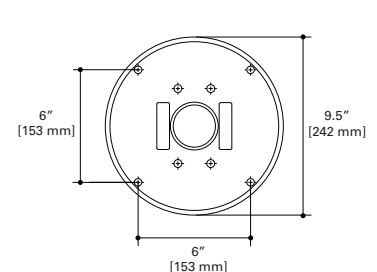
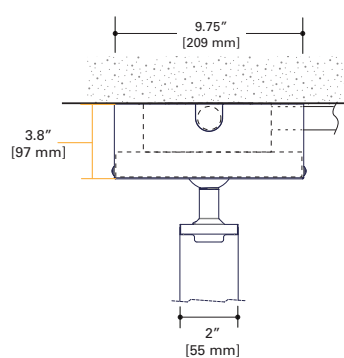
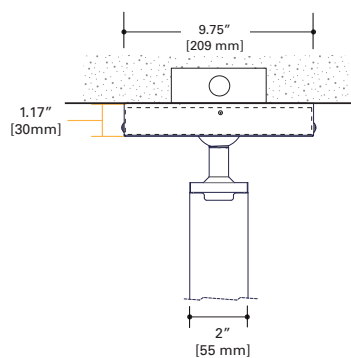
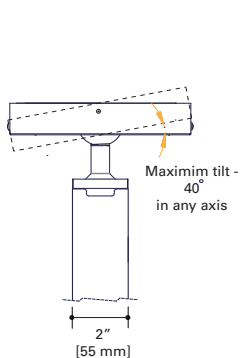
Adjustable Sloped Adapter that can mount in any axis due to ball and socket joint. Available for recessed junction box or surface junction box.

Sloped Adapter has up to 40° tilt in any sloped ceiling condition

AR - Adjustable Sloped Adapter for recessed junction box

AC - Adjustable Sloped Adapter for surface junction box

Mounting Plate



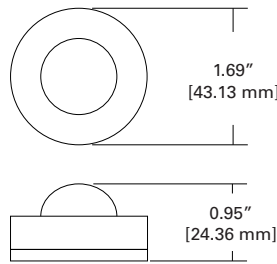
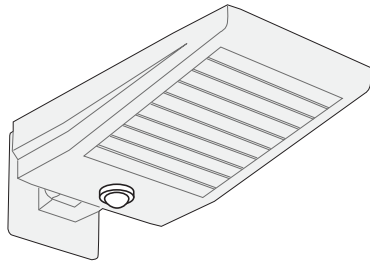
REFERENCE

ASYX 2.0 SUMMARY TABLE

PRODUCT NAME:	SL	S1	S2	S3	S4	L3	L4	L5	L6
NUMBER OF LIGHT SQUARES:	1	1	2	3	4	3	4	5	6
LUMENS:	2970	4797	9812	14745	19761	15304	19929	25565	30162
WATTAGE:	27.5	55	107	158	214	158	214	268	319
LPW:	108	87	92	93	92	97	93	95	95
HID EQUIVALENT:	39W	70W	150W	250W	320W	250W	320W	400W	2 x 250W

Note: Based on 4000K, Wide Throw Distribution

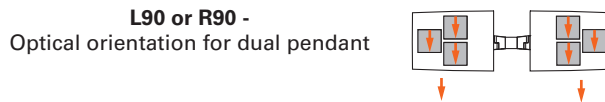
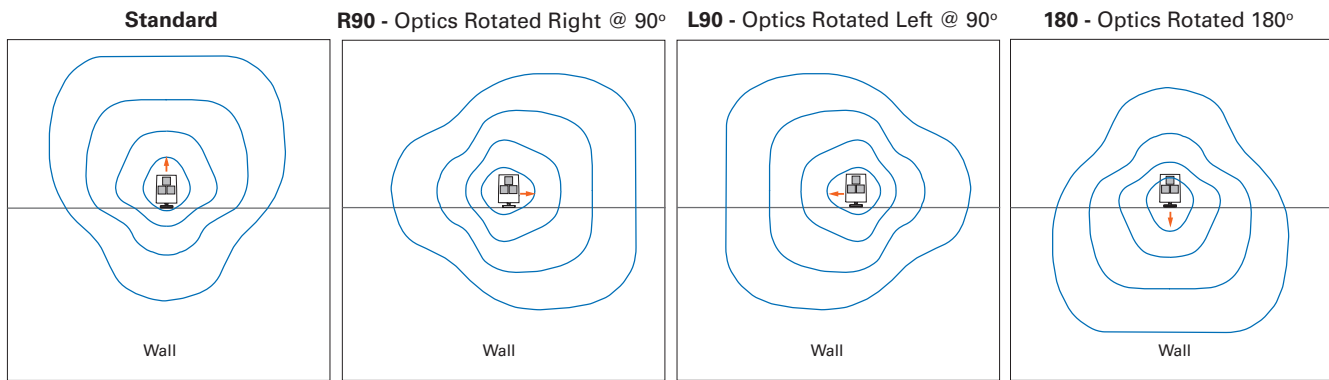
CONTROL



SV - The integral sensor is a fully integrated sensor with no additional wiring or special installation required. Passive infrared occupancy detection is the technology used and the light sensor uses a closed-loop daylight harvester with day, twilight and night settings. Energy Saver setting dims to a lower light level when unoccupied. An infrared receiver is used for programming with a remote control. Indicator light is used for occupancy status and programming confirmation. Integral sensor only controls one fixture unit.

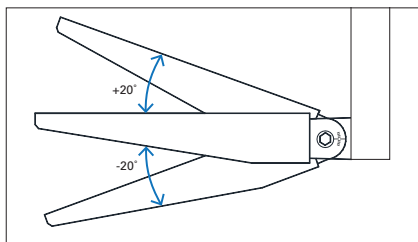
ISHH-01-A - Programming Remote for Integrated Sensor
ISHH-02-A - Personal Control Remote for Integrated Sensor

OPTIC ORIENTATION

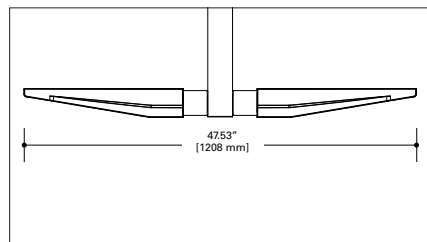


AIMING

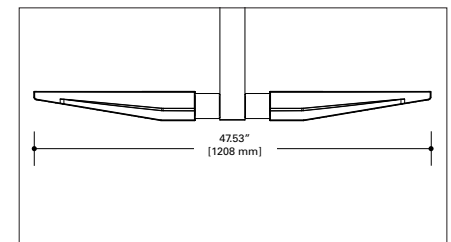
The ASYX 2.0 features +/-20° adjustable aiming as standard



RM - Optional rigid knuckle mount for downward facing, fixed applications. Available in standard optic orientation only.



FM - Optional flush mount option for minimized affect. FM option is not adjustable.



TECHNICAL NOTES

1. Integral Sensor cannot be selected in "D", downlight orientation. Integral sensor available in single circuit option only and is not available with DALI option. Integral sensor optimum coverage height: 8ft for SL/S1/S2 and 40ft for S3/S4/L3/L4/L5/L6. Integral sensor color is white for "White" finish selection and brown for "silver, bronze, or black" finish selections.
2. See "Control" section for explanation.