

Step 6. (cont'd) Self-powered units only-Plug four position connector into test switch. P.C. Board assembly mounted to face plate casting. (See Fig. 1)

Step 7. Squeeze torsion springs together and place in tabs located in long sides of housing.

Step 8. Gently push trim up to wall.

Step 9. End Mount Units Only - Secure face to housing by tightening face plate to mounting screw to housing located at top of face plate. (See Fig. 4 and 5)

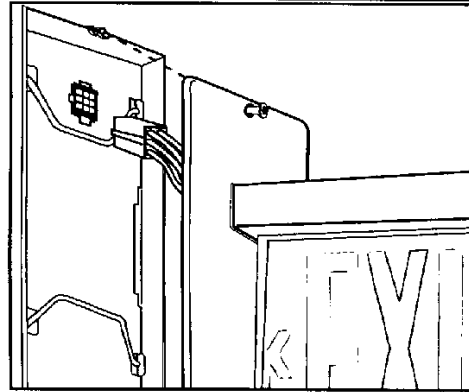


Fig. 4

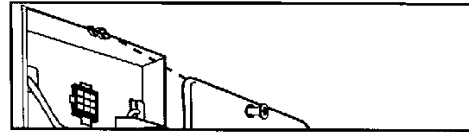


Fig. 5

MAINTENANCE:

Replace batteries every 8 to 10 years according to ambient. Equipment should be tested regularly in accordance with local codes.

NOTE: Servicing of any parts should be performed by qualified personnel. For replacement lamps, fuses, battery or pc board, see fixture labels.

OPERATION

1. To test, depress test switch located on trim face plate. One lamp will remain lit.
2. Release test switch. Both lamps will operate.

CAUTION: Allow 24 hours recharge time after installation or power failure for full load testing.

TROUBLE SHOOTING GUIDE

EMERGENCY LAMP DOES NOT COME ON - PILOT LIGHT OUT BEFORE TEST:

1. Check AC Supply - Be sure unit has 24 hour AC supply.
2. Pilot light on-lamps do not light. Higher output shorted or battery not connected.
3. Battery discharged - permit unit to charge for 24 hours and then retest. If lamp is still off, check charge function. If functioning properly, replace battery.

If following the above trouble shooting hints does not solve your problem, contact your local Sure-Lites Representative or the factory for assistance.

These instructions do not claim to cover all details or variations in the equipment, procedure or process described, nor to provide directions for meeting every possible contingency during installation, operation or maintenance. When additional information is desired to satisfy a problem not covered sufficiently for users purpose, please contact your Cooper Lighting representative.



Cooper Lighting

SURE-LITES 400 BUSSE ROAD ELK GROVE VILLAGE, IL 60007

049000109

SURE-LITES

Installation Instructions for Edge Lit Exit ELX and CEX Series Trim Sections

IMPORTANT SAFEGUARDS

WHEN USING ELECTRICAL EQUIPMENT, BASIC SAFETY PRECAUTIONS SHOULD ALWAYS BE OBSERVED INCLUDING THE FOLLOWING:

1. READ AND FOLLOW ALL SAFETY INSTRUCTIONS
2. Do not use outdoors.
3. Do not let power supply cords touch hot surfaces.
4. Do not mount near gas or electric heaters.
5. Equipment should be mounted in locations and at heights where it will not readily be subjected to tampering by unauthorized personnel.
6. The use of accessory equipment not recommended by Sure-Lites may cause an unsafe condition.
7. Do not use this equipment for other than its intended purpose.
8. Disconnect power when installing or servicing this equipment.

CEILING MOUNT INSTALLATION

Caution TC- Series trims are intended for use with Sure-Lites CH-x series housings and ELE-xxx-C series power trays only

Caution Check your correlation labels before making any connections.

- Step 1.** Install lamps in housing.
- Step 2.** Remove protective foam from lens.
- Step 3.** Remove protective tape from top of lens.
- Step 4.** Self-powered units only - plug four position connector into test switch P.C. Board assembly mounted to face plate casting. (See Fig. 1 and Fig. 5)
- Step 5.** Squeeze torsion springs together and place in tabs located in long sides of housing.
- Step 6.** Gently push trim up to ceiling.

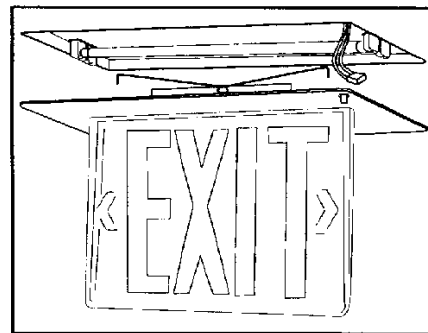


Fig. 1

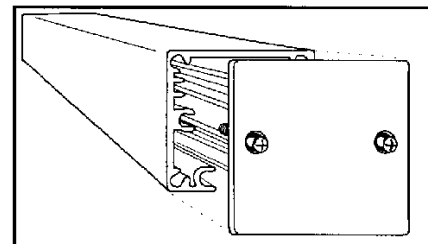


Fig. 2

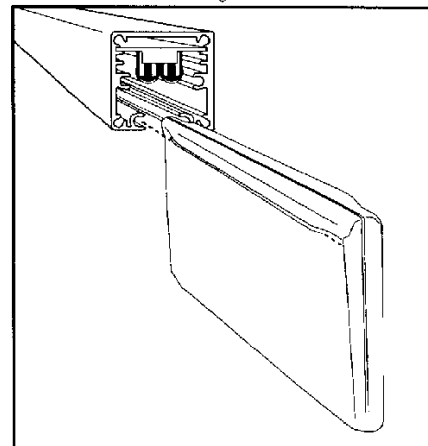


Fig. 3

END OR WALL MOUNT INSTALLATION

Caution TE- and TW- Series trims are intended for use with Sure-Lites EWH-x series housings and ELE-xxx-EW series power trays only

Caution Check your correlation labels before making any connections.

- Step 1.** Remove one end cap from trim assembly and slide lampholder mounting plate out at least two inches. (See Fig. 2)
- Step 2.** Install lamp in lampholder.
- Step 3.** Slide lampholder in mounting plate assembly back in place.
- Step 4.** Remove lens from foam envelope and slide into extrusion. (See Fig. 3). Be sure to note arrow orientation as required.
- Step 5.** Replace end cap.
- Step 6.** Connect nine position mate-n-lock attached to trim assembly to mating connector to housing. (See Fig. 4)



Cooper Lighting

SURE-LITES 400 BUSSE ROAD ELK GROVE VILLAGE, IL 60007

049000109