



GSA prices effective April 3, 2017
(based on February 1, 2016, commercial price list)
Published November 2017

Conference Room and Multipurpose Tables Renew™ Sit-to-Stand Tables

General Services Administration Federal Supply Service Authorized Federal Supply Schedule Price List

Online access to contract ordering information, terms and conditions, up-to-date pricing, and the option to create an electronic delivery order is available through GSA Advantage!, a menu-driven database system. The Internet address for GSA Advantage! is www.gsaadvantage.gov.

Office Furniture
FSC Group 71, Part 1
Contract Number: GS-03F-036DA
Contract Period: December 21, 2015—December 20, 2020

Contract Number: GS-28F-8049H
Contract Period: December 27, 2013—April 23, 2018 (Final Expiry Date)

Herman Miller, Inc.
855 East Main Avenue
Zeeland, Michigan 49464
(616) 654 3000 Phone
(616) 654 8278 Fax
www.HermanMiller.com/government

Business Size: Large

Contract Information

1a. Special Item Numbers (SIN)

SIN 71-1
Packaged Offices

SIN 711-1
Furniture Systems

SIN 711-2
Computer Furniture

SIN 711-3
Filing and Storage Cabinets

SIN 711-11
Tables and Accessories

SIN 711-16
Upholstered Seating

SIN 711-18
Multi-Purpose Seating

SIN 711-91
Project Management

Services under this SIN may be used only in conjunction with the purchase of new furniture. Please contact your local Herman Miller representative to discuss the available labor categories (listed below). The hourly rates listed are "Not To Exceed" or "NTE" values.

Furniture Project Manager: \$64.75 per hour
Furniture Project Coordinator: \$49.00 per hour
Build-Out Project Manager: \$80.00 per hour

SIN 711-93
Reconfiguration and Relocation Services

Reconfiguration and Relocation Services will be provided by Herman Miller, Inc., or its participating dealer based on a fee not to exceed \$55 per hour, which applies to services totaling \$150,000 (per SIN) and below only. Services above \$150,000 shall be negotiated on a case-by-case basis. This SIN may only be used with the purchase of new product under SIN 711-1.

See * Additional Notes for Installation & Reconfiguration and Relocation Services.

SIN 711-94
Design/Layout

Design service will be provided by Herman Miller, Inc., or its participating dealer based on a fee not to exceed \$65 per hour.

SIN 711-95
Installation Services

Installation Services will be provided by Herman Miller, Inc., or its participating dealer based on a fee not to exceed \$55 per hour (\$82.50 per hour for after-hours Installation), which applies to services totaling \$150,000 (per SIN) and below only. Services above \$150,000 shall be negotiated on a case-by-case basis.

See * Additional Notes for Installation & Reconfiguration and Relocation Services.

* Additional Notes for Installation & Reconfiguration and Relocation Services:

FOB Destination (Drop Ship): Price includes product delivery to the site, brought to the tailgate of the truck. The purchaser is responsible for unloading.

Prices effective up to the maximum order by SIN only. Above the MO, pricing shall be negotiated on a case-by-case basis between the client and local dealer.

Standard Services are Subject to the Following Conditions:

Installation will be performed during normal weekday working hours.

Adequate facilities for delivery, unloading, moving and staging/storing the product during the installation process shall be provided.

Service work will not be hindered by other trades.

Electric, heat, and adequate elevator service will be furnished without charge.

The immediate installation area shall be complete and free of debris including the carpet/flooring before installation commences.

Any work requiring a licensed electrician is the responsibility of the buyer.

Additional Charges May Apply For:

Major Metro Markets and any non-ground floor installation.

Major Metro Markets include large population centers and urban environments.

Installation in a clinical/medical environment.

Special restrictions or limits established by local laws, ordinances or the directions of the buyer, including but not limited to restrictions on transportations of materials, street access to the job site and/or dock facilities.

Installations outside of a 50 mile radius of the servicing dealer.

Local Prevailing Wage and/or Union Labor Rates.

Any additional charges shall be quoted by the dealer and approved by the buyer prior to performance of the work.

SIN 711-96
Leasing

Contact Herman Miller participating government dealer for current leasing information.

SIN 711-99
New Product Introductions

Contract Information

continued

1b. Lowest Priced Model

SIN 711-1:	G9999.B	\$6
SIN 711-2:	6-5-D	\$33
SIN 711-3:	9M10018	\$13
SIN 711-11:	DT9A.	\$34
SIN 711-16:	OA401	\$40
SIN 711-18:	WC410NBK3MY7BK	\$229
SIN 711-99:	BVP3.S	\$11

1c. Not applicable

2. Maximum Order

SIN 711-1, SIN 711-2
\$500,000 net product value

SIN 711-3, SIN 711-11
\$300,000 net product value

SIN 711-16, SIN 711-18
\$200,000 net product value

SIN 711-93
\$150,000

SIN 711-94
\$150,000

SIN 711-95
\$150,000

SIN 711-96
\$500,000 net product value

SIN 711-99
\$50,000 net product value

3. Minimum Order

\$100 net

4. Geographic Coverage

Continental U.S.

Orders for Alaska, Hawaii, and Puerto Rico will be shipped F.O.B. inland carrier point of exportation.

5. Point of Production

Zeeland, Ottawa County, Michigan
Spring Lake, Ottawa County, Michigan

6. Pricing

Prices shown are list. Discounts include Industrial Funding Fee.

SIN 711-1

Product: Selected Action Office 1, Action Office 2, C-Style Overhead Storage, Ethospace System, Quadrant Pedestals, Supplemental Products, Tu Pedestals and Pedastools, and approved Herman Miller Options Products.

Standard Lead Time	Single Order Net Purchase	Discount From list
	\$100 - 250,000	73.8%
	\$250,001 - 500,000	76.8%

SIN 711-1

Product: Selected Renew™ Tables, Renew Link and approved Herman Miller Options Products

Standard Lead Time	Single Order Net Purchase	Discount From List
	\$100 - 500,000	72.8%

SIN 711-1

Product: Selected Motia™ Tables, and approved Herman Miller Options Products

Standard Lead Time	Single Order Net Purchase	Discount From List
	\$100 - 500,000	73.8%

SIN 711-1

Product: Tu Wood Pedestals and approved Herman Miller Options Products

Standard Lead Time	Single Order Net Purchase	Discount From List
	\$100 - 300,000	74.3%

SIN 711-1

Product: Selected Canvas Office Landscape and approved Herman Miller Options Products

Standard Lead Time	Single Order Net Purchase	Discount From List
	\$100 - 500,000	74.8%

SIN 711-1

Product: Selected Layout Studio® and approved Herman Miller Options Products

Standard Lead Time	Single Order Net Purchase	Discount From List
	\$100 - 500,000	60.7%

SIN 711-1

Product: Selected Meridian Pedestals, Meridian Pedastools, and approved Herman Miller Options Products

Standard Lead Time	Single Order Net Purchase	Discount From List
	\$100 - 500,000	64.2%

Contract Information

continued

SIN 711-1

Product: Selected Thrive Portfolio and approved Herman Miller Options Products

Standard Lead Time	Single Order Net Purchase	Discount From List
	\$100 - 250,000	62%
	\$250,001 - 500,000	66.4%

SIN 711-2

Product: Passage Desking System and approved Herman Miller Options Products

Standard Lead Time	Single Order Net Purchase	Discount From List
	\$100 - 500,000	56.7%

SIN 711-2

Product: 5000 Series Furniture and approved Herman Miller Options Products

Standard Lead Time	Single Order Net Purchase	Discount From List
	\$100 - 500,000	58.7%

SIN 711-3

Product: Meridian Laterals, Verticals, Towers, and Storage products and approved Herman Miller Options Products

Standard Lead Time	Single Order Net Purchase	Discount From List Laterals	Verticals	Towers & Storage
	\$100 - 300,000	67.3%	66.3%	62.7%

SIN 711-3

Product: Tu Lateral Files, Tu Storage, Tu Towers, Tu Wood Cases, Tu Wood Cubbies, Tu Wood Credenzas, Tu Wood Towers, and approved Herman Miller Options Products

Standard Lead Time	Single Order Net Purchase	Discount From List
	\$100 - 300,000	74.3%

SIN 711-11

Product: Selected Tables and Accessories and approved Herman Miller Options Products

Standard Lead Time	Single Order Net Purchase	Discount From List
Avive® Tables	\$100 - 250,000	72.8%
	\$250,001 - 500,000	74.8%
Herman Miller Eames® Tables	\$100 - 250,000	73.6%
	\$250,001 - 300,000	77.6%
Everywhere™ Tables	\$100 - 300,000	72.8%

SIN 711-16

Product: Swoop upholstered seating products and approved Herman Miller Options Products

Standard Lead Time	Single Order Net Purchase	Discount From List
Swoop™	\$100 - 200,000	60.7%

SIN 711-18

Product: Selected Seating and approved Herman Miller Options Products

Standard Lead Time	Single Order Net Purchase	Discount From List
Aeron® (Classic and New)	\$100 - 200,000	64.5%
Aside®	\$100 - 200,000	64.2%
Caper®	\$100 - 200,000	61.5%
Celle®	\$100 - 200,000	59.7%
Embody®	\$100 - 200,000	59.7%
Equa 2®	\$100 - 200,000	65.8%
Ergon 3®	\$100 - 200,000	68.8%
Mirra® 2	\$100 - 200,000	59.7%
Setu®	\$100 - 200,000	59.7%
Sayl®	\$100 - 200,000	62.2%
Verus	\$100 - 200,000	63.7%

SIN 711-99

Product: Selected Exclave™, Locale®, Public Office Landscape®, Resolve® System, and approved Herman Miller Options Products

Standard Lead Time	Single Order Net Purchase	Discount From List
Exclave	\$100 - 50,000	61.7%
Locale	\$100 - 50,000	63.7%
Public Office Landscape	\$100 - 50,000	61.7%
Resolve System	\$100 - 50,000	69.8%
Intent Solution	\$100 - 50,000	58.7%

7. Quantity Discounts

Reference item #6.

8. Payment Term

Net 30 days

9. Government Commercial Credit Card

- Government commercial credit cards are accepted below the micropurchase threshold.
- Government commercial credit cards are accepted above the micropurchase threshold.

10. Foreign Items

None

11. Time of Delivery

- 90 day ARO
- Expedited delivery: Items listed in the 10-Day section of the catalogs are available for expedited delivery.
- Overnight/2-day delivery: Select items may be available for overnight or 2-day delivery. Contact Herman Miller or a participating dealer for availability and rates.
- Urgent requirements: Agencies may contact contractor or participating dealer to request faster delivery.

Contract Information

continued

12. F.O.B.

F.O.B. destination except Alaska, Hawaii, and Puerto Rico, which will be shipped F.O.B. inland carrier point of exportation.

13. Ordering Address

- a. Herman Miller, Inc.,
Government Customer Care 0161
855 East Main Avenue
Zeeland MI 49464.
- b. For supplies and services, the ordering procedures information on Blanket Purchase Agreements (BPA 's) and a sample BPA can be found at the GSA/FSS Schedule homepage (www.fss.gsa.gov/schedules).

14. Payment Address.

Herman Miller, Inc.
22764 Network Place
Chicago, IL 60673-1227

15. Warranty

Herman Miller, Inc., commercial warranty applies.

16. Export Packing Charge

Prices supplied on request.

17. Terms and Conditions of Government Purchase Card Acceptance

(any thresholds above the micropurchase level)
None.

18. Rental Maintenance and Repair Terms

Not applicable

19. Terms and Conditions of Installation

Installation Services will be provided by Herman Miller, Inc., or its participating dealer based on a fee not to exceed \$55 per hour (\$82.50 per hour for after-hours Installation), which applies to services totaling \$150,000 (per SIN) and below only. Services above \$150,000 shall be negotiated on a case-by-case basis.

Additional Notes for Installation & Reconfiguration and Relocation Services:

FOB Destination (Drop Ship): Price includes product delivery to the site, brought to the tailgate of the truck. The purchaser is responsible for unloading.

Prices effective up to the maximum order by SIN only. Above the MO, pricing shall be negotiated on a case-by-case basis between the client and local dealer.

Standard Services are Subject to the Following Conditions:

Installation will be performed during normal weekday working hours.

Adequate facilities for delivery, unloading, moving and staging/storing the product during the installation process shall be provided.

Service work will not be hindered by other trades.

Electric, heat, and adequate elevator service will be furnished without charge.

The immediate installation area shall be complete and free of debris including the carpet/flooring before installation commences.

Any work requiring a licensed electrician is the responsibility of the buyer.

Additional Charges May Apply For:

Major Metro Markets and any non-ground floor installation.

Major Metro Markets include large population centers and urban environments.

Installation in a clinical/medical environment.

Special restrictions or limits established by local laws, ordinances or the directions of the buyer, including but not limited to restrictions on transportations of materials, street access to the job site and/or dock facilities.

Installations outside of a 50 mile radius of the servicing dealer.

Local Prevailing Wage and/or Union Labor Rates.

Any additional charges shall be quoted by the dealer and approved by the buyer prior to performance of the work.

20. Terms and Conditions of Repair Parts

Not applicable

21. Service and Distribution Points

For service and distribution points nearest you, call (800) 851 1196.

22. Participating Dealers

Access Herman Miller web site for current list of participating dealers: www.HermanMiller.com/government.

23. Preventive Maintenance

Not applicable

24a. Special Attributes.

2016

Herman Miller was recognized by the Michigan Minority Supplier Development Council (MMSDC), as a "Corporation of the Year" and was the only company in West Michigan to receive an "Ambassadors Championing Excellence" Award from the MMSDC this year.

Contract Information

continued

Herman Miller received a “2016 Excellence in Supplier Diversity Award” from the Great Lakes Women’s Business Council.

Herman Miller was named a 2020 Women on Boards Winning Company. Companies selected for this recognition are considered champions of board diversity as 20 percent or more of their board seats are occupied by women.

Herman Miller was selected for inclusion in the 2016 RobecoSAM Sustainability Yearbook for twelfth consecutive year.

2004-2015

Herman Miller was recognized for its commitment to best-in-class economic, environmental, and societal sustainability, earning a spot on the prestigious Dow Jones Sustainability Index (DJSI) for 12 consecutive years. We are one of 317 companies worldwide to be included in the DJSI World Index, and the only contract furniture company recognized globally for its corporate sustainability leadership.

2015

This is the fourth consecutive year that Herman Miller was named one of Michigan’s Best and Brightest Sustainable Companies.

Herman Miller has received the Forest Stewardship Council (FSC) Leadership Award for longstanding commitment to manufacturing with wood sourced from responsibly managed forests. Herman Miller was recognized for being dedicated to reducing environmental impacts by protecting against deforestation and forest degradation.

Herman Miller accepted its second Excellence in Reusable Packaging Award from the Reusable Packaging Association. We were acknowledged for eliminating more than 28,000 tons of corrugated waste from piling up in landfills.

Herman Miller received a Michigan Business Pollution Prevention (MBP₃) Certificate – a recognition given by the Michigan Department of Environmental Quality (MDEQ) to organizations committed to environmental stewardship, conservation, and sustainable operations.

Fast Company named Herman Miller as one of the World’s Top 10 Most Innovative Companies of 2015 in Design.

Renew Sit-to-Stand tables recognized on Record Products 2014 list by Architectural Record.

Herman Miller was again awarded a perfect score in the 2015 Corporate Equality Index.

2014

Herman Miller’s Locale wins International Design Excellence Awards (IDEA) Gold in the Office & Productivity category.

2013

Herman Miller Earns Perfect Score on the Corporate Equality Index. We are one of only 303 major U.S. businesses to receive a perfect score in 2013, an achievement we have now obtained seven years in a row.

Herman Miller is listed in Forbes Magazine inaugural “Platinum List” of America’s 400 best managed, large companies.

For the second consecutive year, Herman Miller is honored as one of West Michigan’s “101 Best and Brightest Sustainable Companies”.

2012

Architectural and design professionals participating in *Contract* magazine’s 2011 Brand Report Awareness Survey have once again named Herman Miller and its subsidiaries as their preferred source for key furnishings in the workplace and healthcare environments.

Herman Miller is named “Corporation of the Year” in the commercial products sector by the Michigan Minority Supplier Development Council.

Herman Miller was inducted into the Made in the USA Hall of Fame. Herman Miller was one of only 20 companies across the nation to receive this distinction. The Hall of Fame showcases exceptional U.S. manufacturers and demonstrates that many high-quality products are made in the United States.

Herman Miller is honored as one of West Michigan’s 101 Best and Brightest Sustainable Companies. The award celebrates organizations that are making their business more sustainable; the lives of their employees better; and the community, both locally and globally, more responsible as a whole.

The Sustainable Asset Management (SAM) group selected Herman Miller for inclusion in “The Sustainability Yearbook 2012” and has awarded Herman Miller both the “SAM Sector Leader” and “SAM Sector Mover” distinctions.

Herman Miller was named one of 16 Section Leaders on Climate Counts 2011-2012 Scorecard Report, making us the industry leader for Home and office Furnishings. The scorecard measures how well the largest companies across 16 industry sectors are preparing for a low-carbon future. Companies are scored based on 22 criteria including a company’s efforts to assess their climate footprint, reduce greenhouse gas emissions, and the ability to communicate their efforts to consumers.

2011

Herman Miller again tops the contract furniture industry in FORTUNE’s ‘Most Admired’ Companies survey. For the 23rd time in 25 years, Herman Miller was the highest ranking furniture manufacturer in a survey among the executives and board members of peer companies and independent industry analysts, as published in FORTUNE Magazine’s Annual ‘Most Admired’ Companies feature. Taking second overall in the expanded, 14 company category of ‘Home Equipment, Furnishings,’ Herman Miller received the number one ranking in five of the nine attributes surveyed.

Contract Information

continued

Trust Across America, a company dedicated to unraveling the complexities of trustworthy business behavior, listed Herman Miller as one of their "Top Ten Most Trustworthy Companies in America 2011."

The Michigan Minority Supplier Development Council (MMSDC) named Herman Miller as its "Corporation of the Year." The company was selected for the honor from among several finalists, including its largest direct competitors. This was the fifth time Herman Miller has received the prestigious award since 2005. When accepting the award, the Inclusiveness & Diversity Program Manager stated, "We are honored to be recognized for our commitment to creating an inclusive supply chain. Herman Miller strives to create a better world through all aspects of our business. Working with diverse suppliers, and the support of the MMSDC, brings us closer to that goal."

Herman Miller receives the Reader's Choice award from TreeHugger's Best of Green: Design and Architecture category for the SAYL chair.

Herman Miller wins prestigious Just Means Social Innovation Award for "Best Sustainability Performance." Herman Miller was nominated for making substantial gains in reducing its CO₂ footprint and significantly outperformed other nominees in the category of Operations.

Herman Miller Healthcare's Compass system was awarded a 2011 Medical Design Excellence Award (MDEA) for its research-based design and ability to be used in a variety of healing spaces, while simultaneously improving the overall delivery of healthcare.

The Sustainable Asset Management (SAM) Group selected Herman Miller for inclusion in the "Sustainability Yearbook 2011" and awarded us both the "SAM Sector Leader" and "SAM Sector Mover" distinctions.

2010

Herman Miller's SAYL chair named "Product Design of the Year" by the International Design Awards (IDA) jury. The award recognizes smart and sustainable multidisciplinary design.

The Flo monitor arm from Herman Miller, was chosen to receive a 2010 "Red Dot" award for product design. The Red Dot Program is considered by many to be the largest and most distinguished international design competition. There were almost 14,000 entries from 68 countries, with more than 4,400 products from 60 countries entered into the product design category.

The NASDAQ OMX CRD Global Sustainability Index (QCRD) has included Herman Miller among their top 100 companies in the world.

Herman Miller achieves LEED-CI Platinum certification from the U.S. Green Building Council for its recently completed Los Angeles Showroom.

2009

Herman Miller named Green Champion by *Business Review West Michigan*.

Herman Miller awarded the 2009 Recycling by Design award by the Institute of Scrap Recycling Industries, Inc.

Aeron receives MBDC Silver Cradle to Cradle certification.

Herman Miller's local fleet is recognized as a U.S. EPA SmartWay Transport Partnership Certified Carrier.

Herman Miller achieves LEED-CI Gold certification for its Main Site B West renovation.

2008

Herman Miller recognized by *Occupational Hazards* magazine as one of America's Safest Companies (ASC). It was one of 18 companies to achieve this distinction.

Herman Miller's Zeeland Main Site awarded status as a STAR participant in the Michigan Voluntary Protection Program (MVPP). The MVPP Star Award is the most prestigious safety and health award given in Michigan. Zeeland Main Site is the fourth Herman Miller facility to receive MVPP status, along with the Greenhouse (in 2005), Midwest Distribution Center (in 2007), and 171st Avenue facility (in 2006).

Teneo, Tu, and Meridian filing and storage product lines receive McDonough Braungart Design Chemistry (MBDC) Silver Cradle to Cradle certification.

2004-2009

Herman Miller achieves sixth consecutive placement on the Dow Jones Sustainability World Index, an international stock portfolio that evaluates the annual performance of the world's largest 2500 companies using economic, environmental, and social criteria, known as the "triple bottom line" of sustainability.

2007

Herman Miller earns the 2007 Waste Wise Gold Achievement Award for Smart Packaging. The U.S. Environmental Protection Agency (EPA) recognizes Herman Miller for its ongoing commitment to reduce transport packaging.

Herman Miller's IT North building in its Main Site facility earns LEED-CI Silver certification from the U.S. Green Building Council (USGBC).

My Studio Environments receive McDonough Braungart Design Chemistry (MBDC) Silver Cradle to Cradle certification.

Herman Miller, Inc., chosen for Sustainable Business 20 List. The company is featured for the fifth time as one of the "World's Top Sustainability Stocks," which includes companies with strong environmental initiatives and solid financial performance.

Herman Miller earns LEED-CI Gold Certification from the U.S. Green Building Council (USGBC) for its National Design Center in Atlanta, Georgia.

Contract Information

continued

2006

Business Ethics ranks Herman Miller, Inc. among the “100 Best Corporate Citizens” in America.

Herman Miller earns LEED-CI Gold Certification from the U.S. Green Building Council (USGBC) for its National Design Center in New York City, New York. This is the first LEED-CI Gold rating to be awarded in New York City.

Herman Miller honored by the U.S. Environmental Protection Agency (EPA) with its WasteWise Award for its commitment to build or renovate its facilities--leased or owned--to meet at least a LEED (Leadership in Energy and Environmental Design) Silver certification.

2005

The U.S. Environmental Protection Agency's Pacific Southwest office honors Herman Miller with its seventh annual Environmental Awards, recognizing the company's efforts to protect and preserve the environment during 2004.

The U.S. Environmental Protection Agency presents Herman Miller with its WasteWise 2005 Product Stewardship Gold Achievement Award in the Design category; Honorable Mention also received in the Large Business category for its recycling efforts.

Herman Miller earns LEED Gold Certification from the U.S. Green Building Council (USGBC) for the Design Yard Front Door in Holland, Michigan.

Michigan “Clean Corporate Citizen” Award given to Herman Miller's Greenhouse manufacturing facility for its environmental management system and record for active pollution prevention.

2004

American Institute of Architects (AIA) Committee on the Environment selects Herman Miller's Building C-1 renovation as one of the AIA/COTE Top 10 Green Projects in America.

The U.S. Green Building Council (USGBC) names Herman Miller among the recipients of its Green Building Leaders Recognition Award for 2004, in the Green Building Business category.

For the third year in a row, Herman Miller is included on SustainableBusiness.com's list of the top 20 sustainable stocks among public companies worldwide.

2003

The University of Colorado, Leeds School of Business, names Herman Miller among three finalists for the first annual “Summit Awards for Social Impact,” citing the company's environmental leadership.

Environmental Building News magazine's GreenSpec Product Directory names Herman Miller's Mirra chair among its Top 10 picks for best new “green” products.

2002

Program Champion recognition from the U.S. Environmental Protection Agency's WasteWise Program, for overall waste reduction achievements.

2000-2003

Business Ethics ranks Herman Miller, Inc. in the top 10 among the “100 Best Corporate Citizens” in America, and first among all ranked companies for “Service to the Environment.”

1999-2001

Environmental Protection Agency's (EPA) Large Industry Partners of the Year Award for overall waste reduction achievements.

2000

Waste Reduction Award Program (WRAP) from the State of California Environmental Protection Agency Integrated Waste Management Board for improving the environment by reducing waste.

24b. Section 508 Compliance

Not applicable

25. Data Universal Numbering System (DUNS): 00-601-2801

26. Registered in System for Award Management (www.SAM.gov) Database

27. Cancellation

Prior to production, no cancellation charge will apply. After production, only actual cost incurred that the contractor can demonstrate if items are sold after 3 months.

28. Restocking Charges

Agencies must notify the contractor for authorization prior to returning any items. The customer agency will be required to pay all packaging and return freight charges. A restocking fee of 50% for Systems Furniture and 35% for all other product lines will be charged for any returned items.

Herman Miller Miscellaneous Information:

Federal ID Number: 38-0837640

Commercial and Government Entity Code (CAGE): 40636

Data Universal Numbering System (DUNS) 00-601-2801

Commercial Entity Code (CEC): 00702290J

Introduction	page 2
Renew™ Sit-to-Stand Tables	3
Adjustable-Height Tables	5
Sit-to-Stand Table Bases	41
Power and Data Support	45
Renew™ Link	51
External Cable Manager	84
Indices	85
By Name	85
By Number	87
Appendices	
20-Day or Less/Assigned Lead-Time Order Information	
Vary Easy Program	
For the latest materials information, refer to the Materials pages on HermanMiller.com.	

Introduction

A Note on the Organization of This Book

There are a few signals that will help you understand the organization of this book. Once you know them, you should be able to find your way around easily.

Like a newspaper, this book is formatted with columns of text and illustrations that run vertically.

Information wraps from one column to the next and continues for as many pages as it needs to.

Black bars are clues.

A black bar at the top of a page signals the start of information about a product.

This information is divided into two sections, each signaled by a black bar. Product Information includes a description, additional notes, and dimensional drawings. Specification Information, which always begins at the top of a column, includes a series of steps. Each step represents a decision you need to make in order to complete your product number. Steps must be followed sequentially. The number of pages needed to complete information on a product varies; some will be complete in one page; others may fill three or four pages. Just continue going through the steps until you run into the next product, signaled by the black bar at the top of the page.

Black tabs running along the outside edge of the page help you locate what section you are in or what section you want to go to. You can thumb forwards or backwards to find a section; tabs and text appear on both sides of the page.

The additional pages in the back of the book include the appendices and indices. They are signaled by a long black bar running along the outside edge of the page.

The index is presented two ways.

The first index is in alphabetical order by product name. It can be helpful if you are new to the products and numbering scheme or if you are looking for a type of product, such as work chair or round table.

The second index is by product number. It lists, in alphanumeric order, the base product number, typically a five-digit number.

General Information

This book is effective April 3, 2017, subject to change without notice. Products may be purchased from authorized Herman Miller dealers who will quote prices upon request. For more information about our products and services or to see a list of dealers, visit www.HermanMiller.com.


All prices are list prices. Additional services, such as planning services, design, storage, and installation, are not included and must be added to these prices when the additional services are requested.


Illustrations, specifications, and prices are based on the latest information at the time of publication. The right is reserved to make changes at any time without notice in prices, fabrics, finishes, materials, specifications, and models, and also to discontinue models and finishes.

Dimensions shown in the drawings are engineering drawing dimensions rounded up to the nearest $\frac{1}{8}$ ". Product is shipped set up or knocked down. Products that include "Shipped knocked down" in the description require some assembly. If this statement does not appear in the description, the product is shipped assembled.

Service problems are normally handled by a Herman Miller authorized dealer. Where this cannot be accomplished on a local level, service problems should be referred to the Customer Care Representative for your region, Herman Miller, Inc., Zeeland, Michigan 49464.

20-Day or Less/Assigned Lead-Time Shipments

All products and options in this price book not designated by an Assigned Program icon  will ship in **20 business days or less** after being acknowledged by Herman Miller.

Products and options designated by an  are on the assigned lead-time program and may ship in 20 days, less than 20 days, or more than 20 days from order acknowledgement.

Adjustable-Height Tables

Sit-to-Stand Table Bases

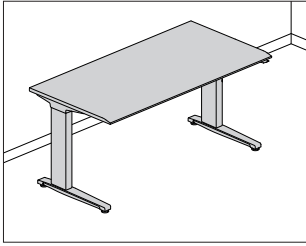
Power and Data Support

Renew™ Link

Renew™ Cable Manager

Rectangle Table with C-Foot

DU6ACE
DU6ACS
DU6ACT



Product Information

Description

This rectangular height-adjustable table has a C-leg configuration, comes in multiple edge styles, and has a laminate top with thermoplastic edge, laminate top with a thermoplastic backed plywood edge, veneer top and edge, or painted Formcoat® top and edge. Power access can be hidden, and there are multiple height adjustment, wire management, and switch options. Glides have 1/2" leveling range. Shipped knocked down. Electric products are UL Listed.

Floor to top-of-surface height adjustment ranges are 22"-34" for the crank seated (K) option, 27"-46" for the crank sit-to-stand (C) and electric standard range (E) options, and 22"-48" for the electric extended range (D) option.

Notes

For additional details on available edge options see Appendices.

Sizes listed for table depth and width are nominal. Depth of surface is reduced 1" for cord management. Width of surface is reduced 2" to minimize possible pinch hazards.

On all tables except front crank (FRT) tables, legs are nearly flush with sides of the surface for maximum knee clearance. Knee clearance is equal to nominal top width less 8". On front crank (FRT) tables, legs are inset approximately 6" on each side to allow for adequate clearance when rotating the crank handle.

Simple cable cover (PSC) is facility installed only.

High density cable trough (PHD) can be accessed by users for daily cord management. High density cable trough (PHD) not available on 36"-wide or 42"-wide tables of any depth.

For crank tables (C or K) with top crank (TOP), crank can be attached above the right or left leg through top of work surface. Requires 6" of clearance from adjacent panel or wall to complete a revolution.

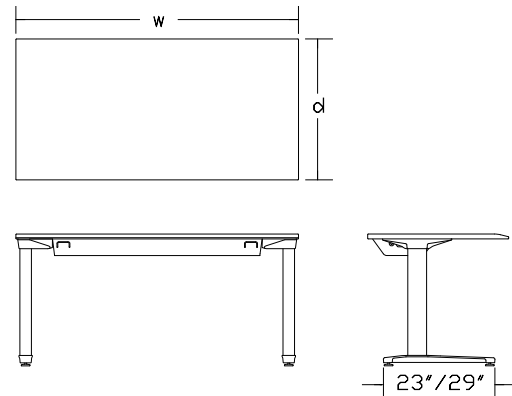
For height adjustment options with crank (C or K), crank finish color is white (G1), with exceptions. For the following top surface finishes, the crank finish is graphite (G1):

- Painted (P) top finishes: CL, LU
- Veneer (W) top finishes: 2U, 40, ED, EV, EK

For additional edge, finish, and cutout options, see Vary Easy Program in appendices.

Cutouts are specifically sized for 5-wide and 6-wide Logic G1000 grommet mounted electrical distributors (Y1425.F, Y1425.G).

Dimensions



Rectangle Table with C-Foot

continued

Renew™ Adjustable-Height Tables

Specification Information	
Step 1.	
DU6AC <input type="checkbox"/>	
Step 2. Edge	
S.	squared-edge <input type="checkbox"/>
T.	thin-edge <input type="checkbox"/>
E.	eased-edge <input type="checkbox"/>
Step 3. Depth	
24	24" deep (23" surface size) <input type="checkbox"/>
30	30" deep (29" surface size) <input type="checkbox"/>
Step 4. Width	
<i>For 24" deep (23" surface size) (24)</i>	
36	36" wide (34" surface size) <input type="checkbox"/>
42	42" wide (40" surface size) <input type="checkbox"/>
48	48" wide (46" surface size) <input type="checkbox"/>
54	54" wide (52" surface size) <input type="checkbox"/>
60	60" wide (58" surface size) <input type="checkbox"/>
66	66" wide (64" surface size) <input type="checkbox"/>
72	72" wide (70" surface size) <input type="checkbox"/>
84	84" wide (82" surface size) <input type="checkbox"/>
<i>For 30" deep (29" surface size) (30)</i>	
36	36" wide (34" surface size) <input type="checkbox"/>
42	42" wide (40" surface size) <input type="checkbox"/>
48	48" wide (46" surface size) <input type="checkbox"/>
54	54" wide (52" surface size) <input type="checkbox"/>
60	60" wide (58" surface size) <input type="checkbox"/>
66	66" wide (64" surface size) <input type="checkbox"/>
72	72" wide (70" surface size) <input type="checkbox"/>
84	84" wide (82" surface size) <input type="checkbox"/>
Step 5. Surface Material	
<i>For squared-edge (S.)</i>	
L	laminare top/thermoplastic edge <input type="checkbox"/>
W	vener top/vener edge <input type="checkbox"/>
P	painted Formcoat® top/edge <input type="checkbox"/>
<i>For thin-edge (T.)</i>	
L	laminare top/thermoplastic edge <input type="checkbox"/>
W	vener top/vener edge <input type="checkbox"/>
P	painted Formcoat® top/edge <input type="checkbox"/>

<i>For eased-edge (E.)</i>						
P	painted Formcoat® top/edge <input type="checkbox"/>					
Step 6. Height Adjustment						
C	crank sit-to-stand <input type="checkbox"/>					
K	crank seated <input type="checkbox"/>					
E	electric standard range <input type="checkbox"/>					
D	electric extended range <input type="checkbox"/>					
Prices for Steps 1-6.						
	LC	LK	LE	LD	WC	WK
DU6ACS. 24 36	\$2085	2085	2630	3395	2363	2363
42	\$2126	2126	2708	3450	2410	2410
48	\$2167	2167	2786	3480	2458	2458
54	\$2210	2210	2841	3549	2507	2507
60	\$2253	2253	2924	3552	2558	2558
66	\$2297	2297	2981	3622	2609	2609
72	\$2342	2342	3040	3693	2661	2661
84	\$2388	2388	3100	3766	2714	2714
30 36	\$2147	2147	2863	3452	2435	2435
42	\$2189	2189	2894	3483	2484	2484
48	\$2232	2232	2926	3515	2533	2533
54	\$2275	2275	2984	3584	2584	2584
60	\$2320	2320	3045	3631	2636	2636
66	\$2365	2365	3105	3702	2688	2688
72	\$2412	2412	3166	3775	2742	2742
84	\$2459	2459	3228	3850	2797	2797
	WE	WD	PC	PK	PE	PD
DU6ACS. 24 36	\$2995	3758	2139	2139	2711	3515
42	\$3085	3821	2181	2181	2793	3572
48	\$3177	3856	2225	2225	2875	3604
54	\$3240	3936	2270	2270	2933	3676
60	\$3336	3940	2315	2315	3020	3679
66	\$3403	4021	2361	2361	3080	3753
72	\$3471	4103	2409	2409	3142	3828
84	\$3540	4188	2457	2457	3205	3904
30 36	\$3265	3824	2204	2204	2956	3574
42	\$3301	3860	2248	2248	2988	3606
48	\$3339	3897	2293	2293	3022	3640
54	\$3405	3977	2339	2339	3082	3713
60	\$3476	4031	2386	2386	3147	3762
66	\$3546	4114	2433	2433	3209	3837
72	\$3617	4198	2482	2482	3274	3914
84	\$3689	4285	2532	2532	3339	3992

Rectangle Table with C-Foot

continued

	LC	LK	LE	LD	WC	WK
DU6ACT. 24 36	\$2241	2241	2840	3682	2599	2599
42	\$2285	2285	2926	3742	2651	2651
48	\$2331	2331	3012	3776	2704	2704
54	\$2378	2378	3072	3851	2758	2758
60	\$2425	2425	3164	3854	2813	2813
66	\$2474	2474	3227	3931	2870	2870
72	\$2523	2523	3291	4010	2927	2927
84	\$2574	2574	3357	4090	2985	2985
30 36	\$2309	2309	3097	3745	2678	2678
42	\$2355	2355	3130	3778	2732	2732
48	\$2402	2402	3166	3814	2787	2787
54	\$2450	2450	3229	3890	2842	2842
60	\$2499	2499	3296	3941	2899	2899
66	\$2549	2549	3362	4020	2957	2957
72	\$2600	2600	3430	4100	3016	3016
84	\$2652	2652	3498	4182	3077	3077
	WE	WD	PC	PK	PE	PD
DU6ACT. 24 36	\$3120	3996	2268	2268	2857	3621
42	\$3219	4066	2315	2315	2947	3684
48	\$3319	4105	2363	2363	3038	3719
54	\$3389	4192	2412	2412	3101	3799
60	\$3495	4196	2461	2461	3197	3802
66	\$3568	4285	2512	2512	3263	3883
72	\$3643	4377	2564	2564	3331	3965
84	\$3719	4470	2617	2617	3400	4050
30 36	\$3417	4069	2339	2339	3126	3687
42	\$3456	4107	2388	2388	3162	3722
48	\$3497	4149	2437	2437	3199	3760
54	\$3571	4237	2488	2488	3266	3840
60	\$3649	4296	2539	2539	3336	3893
66	\$3725	4388	2592	2592	3405	3976
72	\$3803	4481	2645	2645	3476	4060
84	\$3883	4576	2700	2700	3548	4146
	WE	WD	PC	PK	PE	PD
DU6ACE. 24 36	—	—	\$2253	2253	2832	3631
42	—	—	\$2300	2300	2922	3694
48	—	—	\$2348	2348	3013	3729
54	—	—	\$2397	2397	3076	3809
60	—	—	\$2446	2446	3172	3812
66	—	—	\$2497	2497	3238	3893
72	—	—	\$2549	2549	3306	3975
84	—	—	\$2602	2602	3375	4060

30 36	—	—	\$2324	2324	3101	3697
42	—	—	\$2373	2373	3137	3732
48	—	—	\$2422	2422	3174	3770
54	—	—	\$2473	2473	3241	3850
60	—	—	\$2524	2524	3311	3903
66	—	—	\$2577	2577	3380	3986
72	—	—	\$2630	2630	3451	4070
84	—	—	\$2685	2685	3523	4156

Step 7. Hidden Power Access

For electric extended range (D)

NNP	no power access	A				+\$0
------------	-----------------	---	--	--	--	------

For crank sit-to-stand (C) or crank seated (K)

NNP	no power access	A				+\$0
PLA	leg access	A				+\$200

For electric standard range (E)

NNP	no power access	A				+\$0
PLA	leg access	A				+\$200

Step 8.

Switch Option

For electric standard range (E) or electric extended range (D) with no power access (NNP), or leg access (PLA)

SUD	simple up down	A				+\$0
SRM	digital read out with memory	A				+\$160

Switch Option/Crank Location

For 24" deep (23" surface size) (24) or 30" deep (29" surface size) (30) with 48" wide (46" surface size) (48), 54" wide (52" surface size) (54), or 60" wide (58" surface size) (60), or 66" wide (64" surface size) (66), or 72" wide (70" surface size) (72) with crank sit-to-stand (C), or crank seated (K) with no power access (NNP)

FRT	front crank	A				+\$40
TOP	top crank	A				+\$0

Rectangle Table with C-Foot

continued

Renew™ Adjustable-Height Tables

Switch Option/Crank Location

For 24" deep (23" surface size) (24) or 30" deep (29" surface size) (30) with 36" wide (34" surface size) (36), 42" wide (40" surface size) (42), 48" wide (46" surface size) (48), 54" wide (52" surface size) (54), 60" wide (58" surface size) (60), or 66" wide (64" surface size) (66), or 72" wide (70" surface size) (72), or 84" wide (82" surface size) (84) with crank sit-to-stand (C), or crank seated (K) with no power access (NNP), or leg access (PLA)

TOP top crank A +\$0

Step 9.

Top/Edge Finish

For veneer top/veneer edge (W)

2U	light brown walnut A	+\$85
40	dark brown walnut A	+\$85
A2	white ash A	+\$85
ED	aged cherry A	+\$85
EK	medium red walnut A	+\$85
ET	clear on ash A	+\$85
EU	oak on ash A	+\$85
EV	walnut on ash A	+\$85
OU	walnut A	+\$85
UL	natural maple A	+\$85
UX	walnut on cherry A	+\$85

Top/Edge Finish

For painted Formcoat® top/edge (P)

8Q	folkstone grey A	+\$0
91	white A	+\$0
CL	cool grey neutral A	+\$0
LU	soft white A	+\$0
WL	sandstone A	+\$0
WN	warm grey neutral A	+\$0

Top Finish

For laminate top/thermoplastic edge (L)

76	light brown walnut A	+\$0
8Q	folkstone grey A	+\$0
91	white A	+\$0
98	studio white A	+\$0
CL	cool grey neutral A	+\$0
HF	inner tone light A	+\$0
HM	natural maple A	+\$0
HP	light anigre A	+\$0
HT	inner tone A	+\$0
HX	aged cherry A	+\$0
HY	walnut on cherry A	+\$0
LA	light ash A	+\$0
LBA	clear on ash A	+\$0
LBB	oak on ash A	+\$0
LBC	walnut on ash A	+\$0
LBD	dark brown walnut A	+\$0
LBE	medium red walnut A	+\$0
LBF	neutral twill A	+\$0
LBG	sarum twill A	+\$0
LBH	earthen twill A	+\$0
LBJ	graphite twill A	+\$0
LBK	pewter mesh A	+\$0
LBL	steel mesh A	+\$0
LBM	crisp linen A	+\$0
LBN	classic linen A	+\$0
LBP	casual linen A	+\$0
LBQ	white twill A	+\$0
LU	soft white A	+\$0
WL	sandstone A	+\$0
WN	warm grey neutral A	+\$0

Rectangle Table with C-Foot

continued

Step 10. Edge Finish		
<i>For laminate top/thermoplastic edge (L)</i>		
76	light brown walnut <input type="checkbox"/>	+\$0
8Q	folkstone grey <input type="checkbox"/>	+\$0
91	white <input type="checkbox"/>	+\$0
98	studio white <input type="checkbox"/>	+\$0
CL	cool grey neutral <input type="checkbox"/>	+\$0
HF	inner tone light <input type="checkbox"/>	+\$0
HM	natural maple <input type="checkbox"/>	+\$0
HP	light anigre <input type="checkbox"/>	+\$0
HT	inner tone <input type="checkbox"/>	+\$0
HX	aged cherry <input type="checkbox"/>	+\$0
HY	walnut on cherry <input type="checkbox"/>	+\$0
LA	light ash <input type="checkbox"/>	+\$0
LBA	clear on ash <input type="checkbox"/>	+\$0
LBB	oak on ash <input type="checkbox"/>	+\$0
LBC	walnut on ash <input type="checkbox"/>	+\$0
LBD	dark brown walnut <input type="checkbox"/>	+\$0
LBE	medium red walnut <input type="checkbox"/>	+\$0
LBF	neutral twill <input type="checkbox"/>	+\$0
LBG	sarum twill <input type="checkbox"/>	+\$0
LBH	earthen twill <input type="checkbox"/>	+\$0
LBJ	graphite twill <input type="checkbox"/>	+\$0
LBK	pewter mesh <input type="checkbox"/>	+\$0
LBL	steel mesh <input type="checkbox"/>	+\$0
LBM	crisp linen <input type="checkbox"/>	+\$0
LBN	classic linen <input type="checkbox"/>	+\$0
LBP	casual linen <input type="checkbox"/>	+\$0
LBQ	white twill <input type="checkbox"/>	+\$0
LU	soft white <input type="checkbox"/>	+\$0
WL	sandstone <input type="checkbox"/>	+\$0
WN	warm grey neutral <input type="checkbox"/>	+\$0

Step 11. Crank Handle Finish		
<i>For crank sit-to-stand (C) or crank seated (K)</i>		
91	white <input type="checkbox"/>	+\$0
G1	graphite <input type="checkbox"/>	+\$0

Step 12. Leg/Foot Finish		
8Q	folkstone grey leg with folkstone grey foot <input type="checkbox"/>	+\$0
91	white leg with white foot <input type="checkbox"/>	+\$0
98	studio white leg with studio white foot <input type="checkbox"/>	+\$0
G2	graphite satin leg with graphite satin foot <input type="checkbox"/>	+\$0
WL	sandstone leg with sandstone foot <input type="checkbox"/>	+\$0
WN	warm grey neutral leg with warm grey neutral foot <input type="checkbox"/>	+\$0
CN	metallic champagne <input type="checkbox"/>	+\$0
MS	metallic silver leg with metallic silver foot <input type="checkbox"/>	+\$20
LFF	white leg with polished aluminum foot <input type="checkbox"/>	+\$160
LFG	warm grey neutral leg with polished aluminum foot <input type="checkbox"/>	+\$160
LFH	graphite satin leg with polished aluminum foot <input type="checkbox"/>	+\$160
LFJ	metallic silver leg with polished aluminum foot <input type="checkbox"/>	+\$160
LFK	studio white leg with polished aluminum foot <input type="checkbox"/>	+\$0

Step 13. Cord Cover/Cable Management		
<i>For 24" deep (23" surface size) (24) or 30" deep (29" surface size) (30) with 36" wide (34" surface size) (36), 42" wide (40" surface size) (42), 48" wide (46" surface size) (48), 54" wide (52" surface size) (54), 60" wide (58" surface size) (60), or 66" wide (64" surface size) (66), or 72" wide (70" surface size) (72), or 84" wide (82" surface size) (84)</i>		
PSC	simple cable <input type="checkbox"/>	+\$0

<i>For 30" deep (29" surface size) (30) with 48" wide (46" surface size) (48), 54" wide (52" surface size) (54), 60" wide (58" surface size) (60), 66" wide (64" surface size) (66), or 72" wide (70" surface size) (72), or 84" wide (82" surface size) (84)</i>		
PSC	simple cable <input type="checkbox"/>	+\$0
PHD	high density cable trough <input type="checkbox"/>	+\$299

Step 14. Power Access Cutout		
NNN	no cutout <input type="checkbox"/>	+\$0

<i>For 30" deep (29" surface size) (30) with 54" wide (52" surface size) (54) with high density cable trough (PHD)</i>		
NNN	no cutout <input type="checkbox"/>	+\$0
LAC	left cutout 6 port - Y1425.D/G or Y1420.X <input type="checkbox"/>	+\$45
RAC	right cutout 6 port - Y1425.D/G or Y1420.X <input type="checkbox"/>	+\$45
LC5	left cutout 5 port - Y1425.C/F or Y1420.V <input type="checkbox"/>	+\$45
RC5	right cutout 5 port - Y1425.C/F or Y1420.V <input type="checkbox"/>	+\$45

Renew™ Adjustable-Height Tables

Rectangle Table with C-Foot

continued

Renew™ Adjustable-Height Tables

For 30" deep (29" surface size) (30) with 60" wide (58" surface size) (60), 66" wide (64" surface size) (66), or 72" wide (70" surface size) (72), or 84" wide (82" surface size) (84) with high density cable trough (PHD)

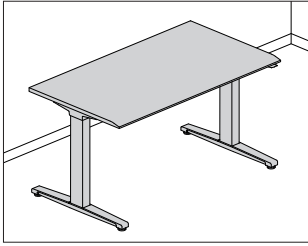
CAC	center cutout 6 port - Y1425.D/G or Y1420.X <input type="checkbox"/>	+\$45
CC5	center cutout 5 port - Y1425.C/F or Y1420.V <input type="checkbox"/>	+\$45
LAC	left cutout 6 port - Y1425.D/G or Y1420.X <input type="checkbox"/>	+\$45
LC5	left cutout 5 port - Y1425.C/F or Y1420.V <input type="checkbox"/>	+\$45
RAC	right cutout 6 port - Y1425.D/G or Y1420.X <input type="checkbox"/>	+\$45
RC5	right cutout 5 port - Y1425.C/F or Y1420.V <input type="checkbox"/>	+\$45
NNN	no cutout <input type="checkbox"/>	+\$0

Step 15. Casters/Glides

57	glides <input type="checkbox"/>	+\$0
-----------	---------------------------------	------

Rectangle Table with T-Foot

DU6ATE
DU6ATS
DU6ATT



Product Information

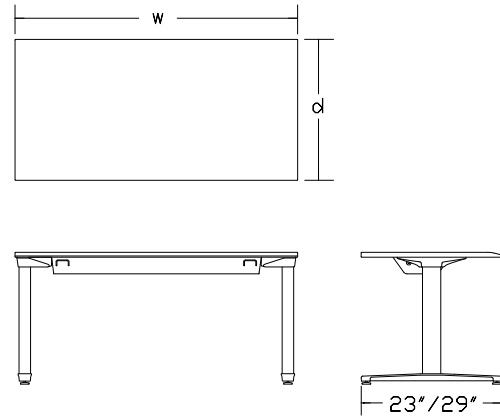
Description

This rectangular height-adjustable table has a T-leg configuration, comes in multiple edge styles, and has a laminate top with thermoplastic edge, laminate top with a thermoplastic backed plywood edge, veneer top and edge, or painted Formcoat® top and edge. Power access can be hidden, and there are multiple height adjustment, wire management, and switch options. Glides have 1/2" leveling range. Shipped knocked down. Electric products are UL Listed. Floor to top-of-surface height adjustment ranges are 22"-34" for the crank seated (K) option, 27"-46" for the crank sit-to-stand (C) and electric standard range (E) options, and 22"-48" for the electric extended range (D) option.

Notes

For additional details on available edge options see Appendices.
Sizes listed for table depth and width are nominal. Depth of surface is reduced 1" for cord management. Width of surface is reduced 2" to minimize possible pinch hazards.
On all tables except front crank (FRT) tables, legs are nearly flush with sides of the surface for maximum knee clearance. Knee clearance is equal to nominal top width less 8". On front crank (FRT) tables, legs are inset approximately 6" on each side to allow for adequate clearance when rotating the crank handle.
Simple cable cover (PSC) is facility installed only.
High density cable trough (PHD) can be accessed by users for daily cord management. High density cable trough (PHD) not available on 36"-wide or 42"-wide tables of any depth.
For crank tables (C or K) with top crank (TOP), crank can be attached above the right or left leg through top of work surface. Requires 6" of clearance from adjacent panel or wall to complete a revolution.
For height adjustment options with crank (C or K), crank finish color is white (G1), with exceptions. For the following top surface finishes, the crank finish is graphite (G1):
• Painted (P) top finishes: CL, LU
• Veneer (W) top finishes: 2U, 40, ED, EV, EK
For additional edge, finish, and cutout options, see Vary Easy Program in appendices.
Cutouts are specifically sized for 5-wide and 6-wide Logic G1000 grommet mounted electrical distributors (Y1425.F, Y1425.G).

Dimensions



Rectangle Table with T-Foot *continued*

Specification Information	
Step 1.	
DU6AT	<input type="checkbox"/>
Step 2. Edge	
S.	squared-edge <input type="checkbox"/>
T.	thin-edge <input type="checkbox"/>
E.	eased-edge <input type="checkbox"/>
Step 3. Depth	
30	30" deep (29" surface size) <input type="checkbox"/>
36	36" deep (35" surface size) <input type="checkbox"/>
Step 4. Width	
<i>For 30" deep (29" surface size) (30)</i>	
36	36" wide (34" surface size) <input type="checkbox"/>
42	42" wide (40" surface size) <input type="checkbox"/>
48	48" wide (46" surface size) <input type="checkbox"/>
54	54" wide (52" surface size) <input type="checkbox"/>
60	60" wide (58" surface size) <input type="checkbox"/>
66	66" wide (64" surface size) <input type="checkbox"/>
72	72" wide (70" surface size) <input type="checkbox"/>
84	84" wide (82" surface size) <input type="checkbox"/>
<i>For 36" deep (35" surface size) (36)</i>	
42	42" wide (40" surface size) <input type="checkbox"/>
48	48" wide (46" surface size) <input type="checkbox"/>
54	54" wide (52" surface size) <input type="checkbox"/>
60	60" wide (58" surface size) <input type="checkbox"/>
66	66" wide (64" surface size) <input type="checkbox"/>
72	72" wide (70" surface size) <input type="checkbox"/>
84	84" wide (82" surface size) <input type="checkbox"/>
Step 5. Surface Material	
<i>For squared-edge (S.)</i>	
L	laminare top/thermoplastic edge <input type="checkbox"/>
W	vener top/vener edge <input type="checkbox"/>
P	painted Formcoat® top/edge <input type="checkbox"/>
<i>For thin-edge (T.)</i>	
L	laminare top/thermoplastic edge <input type="checkbox"/>
W	vener top/vener edge <input type="checkbox"/>
P	painted Formcoat® top/edge <input type="checkbox"/>

<i>For eased-edge (E.)</i>						
P	painted Formcoat® top/edge <input type="checkbox"/>					
Step 6. Height Adjustment						
C	crank sit-to-stand <input type="checkbox"/>					
K	crank seated <input type="checkbox"/>					
E	electric standard range <input type="checkbox"/>					
D	electric extended range <input type="checkbox"/>					
Prices for Steps 1-6.						
	LC	LK	LE	LD	WC	WK
DU6ATS. 30 36	\$2147	2147	2863	3452	2579	2579
42	\$2189	2189	2894	3483	2630	2630
48	\$2232	2232	2926	3515	2683	2683
54	\$2275	2275	2984	3584	2736	2736
60	\$2320	2320	3045	3631	2791	2791
66	\$2365	2365	3105	3702	2847	2847
72	\$2412	2412	3166	3775	2904	2904
84	\$2459	2459	3228	3850	2962	2962
36 42	\$2253	2253	2981	3554	2709	2709
48	\$2297	2297	3014	3624	2763	2763
54	\$2342	2342	3074	3696	2819	2819
60	\$2388	2388	3137	3769	2875	2875
66	\$2435	2435	3199	3843	2932	2932
72	\$2483	2483	3261	3919	2991	2991
84	\$2531	2531	3325	3997	3051	3051
	WE	WD	PC	PK	PE	PD
DU6ATS. 30 36	\$3172	4182	2204	2204	2711	3574
42	\$3267	4219	2248	2248	2792	3606
48	\$3536	4259	2293	2293	3022	3640
54	\$3606	4345	2339	2339	3082	3713
60	\$3681	4401	2386	2386	3147	3762
66	\$3755	4489	2433	2433	3209	3837
72	\$3830	4579	2482	2482	3274	3914
84	\$3907	4671	2532	2532	3339	3992
36 42	\$3267	4307	2315	2315	2967	3682
48	\$3332	4394	2362	2362	3023	3755
54	\$3399	4481	2409	2409	3080	3830
60	\$3467	4571	2457	2457	3138	3907
66	\$3536	4662	2506	2506	3198	3985
72	\$3607	4756	2556	2556	3258	4065
84	\$3679	4851	2608	2608	3320	4146

Rectangle Table with T-Foot *continued*

		LC	LK	LE	LD	WC	WK	
DU6ATT. 30	36	\$2309	2309	2840	3745	2836	2836	
	42	\$2355	2355	2925	3778	2893	2893	
	48	\$2402	2402	3166	3814	2951	2951	
	54	\$2450	2450	3229	3890	3010	3010	
	60	\$2499	2499	3296	3941	3070	3070	
	66	\$2549	2549	3362	4020	3132	3132	
	72	\$2600	2600	3430	4100	3194	3194	
	84	\$2652	2652	3498	4182	3258	3258	
	36	42	\$2426	2426	2925	3857	2980	2980
	48	\$2474	2474	2984	3934	3040	3040	
54	\$2524	2524	3044	4013	3100	3100		
60	\$2574	2574	3104	4093	3162	3162		
66	\$2626	2626	3167	4175	3226	3226		
72	\$2678	2678	3230	4258	3290	3290		
84	\$2732	2732	3294	4343	3356	3356		
		WE	WD	PC	PK	PE	PD	
DU6ATT. 30	36	\$3489	4600	2424	2424	2982	3932	
	42	\$3594	4641	2473	2473	3072	3967	
	48	\$3889	4685	2522	2522	3324	4005	
	54	\$3967	4779	2573	2573	3391	4085	
	60	\$4050	4841	2624	2624	3461	4138	
	66	\$4131	4938	2677	2677	3530	4221	
	72	\$4213	5037	2730	2730	3601	4305	
	84	\$4297	5138	2785	2785	3673	4391	
	36	42	\$3594	4738	2547	2547	3072	4050
	48	\$3666	4833	2598	2598	3133	4131	
54	\$3739	4930	2650	2650	3196	4213		
60	\$3814	5028	2703	2703	3260	4298		
66	\$3890	5129	2757	2757	3325	4384		
72	\$3968	5231	2812	2812	3391	4471		
84	\$4047	5336	2868	2868	3459	4561		
		WE	WD	PC	PK	PE	PD	
DU6ATE. 30	36	—	—	\$2349	2349	3126	3657	
	42	—	—	\$2398	2398	3162	3692	
	48	—	—	\$2447	2447	3199	3730	
	54	—	—	\$2498	2498	3266	3810	
	60	—	—	\$2549	2549	3336	3863	
	66	—	—	\$2602	2602	3405	3946	
	72	—	—	\$2655	2655	3476	4030	
	84	—	—	\$2710	2710	3548	4116	

36	42	—	—	\$2472	2472	2947	3775
48	—	—	—	\$2523	2523	3008	3856
54	—	—	—	\$2575	2575	3071	3938
60	—	—	—	\$2628	2628	3135	4023
66	—	—	—	\$2682	2682	3200	4109
72	—	—	—	\$2737	2737	3266	4196
84	—	—	—	\$2793	2793	3334	4286

Step 7. Hidden Power Access

For crank sit-to-stand (C), crank seated (K), or electric standard range (E)

NNP	no power access	A	+\$0
PLA	leg access	A	+\$200

For electric extended range (D)

NNP	no power access	A	+\$0
------------	-----------------	---	------

Step 8.

Switch Option

For electric standard range (E) or electric extended range (D) with no power access (NNP), or leg access (PLA)

SUD	simple up down	A	+\$0
SRM	digital read out with memory	A	+\$160

Switch Option/Crank Location

For 30" deep (29" surface size) (30) with 48" wide (46" surface size) (48), 54" wide (52" surface size) (54), 60" wide (58" surface size) (60), or 66" wide (64" surface size) (66), or 72" wide (70" surface size) (72) with crank sit-to-stand (C), or crank seated (K) with no power access (NNP)

TOP	top crank	A	+\$0
FRT	front crank	A	+\$40

Switch Option/Crank Location

For 30" deep (29" surface size) (30) or 36" deep (35" surface size) (36) with 36" wide (34" surface size) (36), 42" wide (40" surface size) (42), 48" wide (46" surface size) (48), 54" wide (52" surface size) (54), 60" wide (58" surface size) (60), or 66" wide (64" surface size) (66), or 72" wide (70" surface size) (72), or 84" wide (82" surface size) (84) with crank sit-to-stand (C), or crank seated (K) with no power access (NNP), or leg access (PLA)

TOP	top crank	A	+\$0
------------	-----------	---	------

Rectangle Table with T-Foot *continued*

Step 9.

Top/Edge Finish		
<i>For veneer top/veneer edge (W)</i>		
2U	light brown walnut A	+\$85
40	dark brown walnut A	+\$85
A2	white ash A	+\$85
ED	aged cherry A	+\$85
EK	medium red walnut A	+\$85
ET	clear on ash A	+\$85
EU	oak on ash A	+\$85
EV	walnut on ash A	+\$85
OU	walnut A	+\$85
UL	natural maple A	+\$85
UX	walnut on cherry A	+\$85

Top/Edge Finish		
<i>For painted Formcoat® top/edge (P)</i>		
8Q	folkstone grey A	+\$0
91	white A	+\$0
CL	cool grey neutral A	+\$0
LU	soft white A	+\$0
WL	sandstone A	+\$0
WN	warm grey neutral A	+\$0

Top Finish		
<i>For laminate top/thermoplastic edge (L)</i>		
76	light brown walnut A	+\$0
8Q	folkstone grey A	+\$0
91	white A	+\$0
98	studio white A	+\$0
CL	cool grey neutral A	+\$0
HF	inner tone light A	+\$0
HM	natural maple A	+\$0
HP	light anigre A	+\$0
HT	inner tone A	+\$0
HX	aged cherry A	+\$0
HY	walnut on cherry A	+\$0
LA	light ash A	+\$0
LBA	clear on ash A	+\$0
LBB	oak on ash A	+\$0
LBC	walnut on ash A	+\$0
LBD	dark brown walnut A	+\$0
LBE	medium red walnut A	+\$0
LBF	neutral twill A	+\$0
LBG	sarum twill A	+\$0
LBH	earthen twill A	+\$0
LBJ	graphite twill A	+\$0
LBK	pewter mesh A	+\$0
LBL	steel mesh A	+\$0
LBM	crisp linen A	+\$0
LBN	classic linen A	+\$0
LBP	casual linen A	+\$0
LBQ	white twill A	+\$0
LU	soft white A	+\$0
WL	sandstone A	+\$0
WN	warm grey neutral A	+\$0

Step 10. Edge Finish

For laminate top/thermoplastic edge (L)

8Q	folkstone grey A	+\$0
91	white A	+\$0
98	studio white A	+\$0
CL	cool grey neutral A	+\$0
HF	inner tone light A	+\$0
HM	natural maple A	+\$0
HP	light anigre A	+\$0
HT	inner tone A	+\$0
HX	aged cherry A	+\$0
HY	walnut on cherry A	+\$0
LA	light ash A	+\$0
LBA	clear on ash A	+\$0
LBB	oak on ash A	+\$0
LBC	walnut on ash A	+\$0
LBD	dark brown walnut A	+\$0
LBE	medium red walnut A	+\$0
LBF	neutral twill A	+\$0
LBG	sarum twill A	+\$0
LBH	earthen twill A	+\$0
LBJ	graphite twill A	+\$0
LBK	pewter mesh A	+\$0
LBL	steel mesh A	+\$0
LBM	crisp linen A	+\$0
LBN	classic linen A	+\$0
LBP	casual linen A	+\$0
LBQ	white twill A	+\$0
LU	soft white A	+\$0
WL	sandstone A	+\$0
WN	warm grey neutral A	+\$0

Step 11. Crank Handle Finish

For crank sit-to-stand (C) or crank seated (K)

91	white A	+\$0
G1	graphite A	+\$0

Step 12. Leg/Foot Finish

8Q	folkstone grey leg with folkstone grey foot A	+\$0
91	white leg with white foot A	+\$0
98	studio white leg with studio white foot A	+\$0
G2	graphite satin leg with graphite satin foot A	+\$0
WL	sandstone leg with sandstone foot A	+\$0
WN	warm grey neutral leg with warm grey neutral foot A	+\$0
CN	metallic champagne A	+\$0
MS	metallic silver leg with metallic silver foot A	+\$20
LFF	white leg with polished aluminum foot A	+\$160
LFG	warm grey neutral leg with polished aluminum foot A	+\$160
LFH	graphite satin leg with polished aluminum foot A	+\$160
LFJ	metallic silver leg with polished aluminum foot A	+\$160
LFK	studio white leg with polished aluminum foot A	+\$0

Step 13. Cord Cover/Cable Management

For 30" deep (29" surface size) (30) or 36" deep (35" surface size) (36) with 36" wide (34" surface size) (36), or 42" wide (40" surface size) (42)

PSC	simple cable A	+\$0
------------	--	------

For 48" wide (46" surface size) (48), 54" wide (52" surface size) (54), 60" wide (58" surface size) (60), 66" wide (64" surface size) (66), 72" wide (70" surface size) (72), or 84" wide (82" surface size) (84)

PHD	high density cable trough A	+\$299
PSC	simple cable A	+\$0

Step 14. Power Access Cutout

For 36" wide (34" surface size) (36) or 42" wide (40" surface size) (42)

NNN	no cutout A	+\$0
------------	---	------

For 48" wide (46" surface size) (48), 54" wide (52" surface size) (54), 60" wide (58" surface size) (60), 66" wide (64" surface size) (66), 72" wide (70" surface size) (72), or 84" wide (82" surface size) (84)

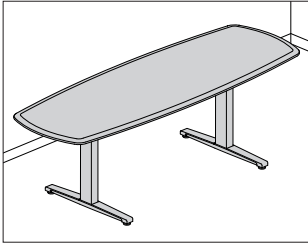
NNN	no cutout A	+\$0
CAC	center cutout 6 port - Y1425.D/G or Y1420.X A	+\$45
LAC	left cutout 6 port - Y1425.D/G or Y1420.X A	+\$45
RAC	right cutout 6 port - Y1425.D/G or Y1420.X A	+\$45
CC5	center cutout 5 port - Y1425.C/F or Y1420.V A	+\$45
LC5	left cutout 5 port - Y1425.C/F or Y1420.V A	+\$45
RC5	right cutout 5 port - Y1425.C/F or Y1420.V A	+\$45

Step 15. Casters/Glides

57	glides A	+\$0
-----------	--	------

Oval Table with T-Foot

DU6DTE
DU6DTS
DU6DTT



Product Information

Description

This oval height-adjustable table has a T-leg configuration for maximum access on all sides of the surface, comes in multiple edge styles, and has a laminate top with thermoplastic edge, veneer top and edge, or painted Formcoat® top and edge. Power access can be hidden, and there are multiple height adjustment, wire management, and switch options. Glides have 1/2" leveling range. Shipped knocked down. Electric products are UL Listed.

Floor to top-of-surface height adjustment ranges are 22"-34" for the crank seated (K) option, 27"-46" for the crank sit-to-stand (C) and electric standard range (E) options, and 22"-48" for the electric extended range (D) option.

Notes

For additional details on available edge options see Appendices.

Legs are nearly flush with sides of the surface for maximum knee clearance. Knee clearance is equal to nominal top width less 8".

Simple cable cover (PSC) is facility installed only.

High density cable trough (PHD) can be accessed by users for daily cord management. High density cable trough (PHD) not available on 36"-wide or 42"-wide tables of any depth.

For height adjustment options with crank (C or K), crank can be attached above the right or left leg through top of work surface. Requires 6" of clearance from adjacent panel or wall to complete a revolution.

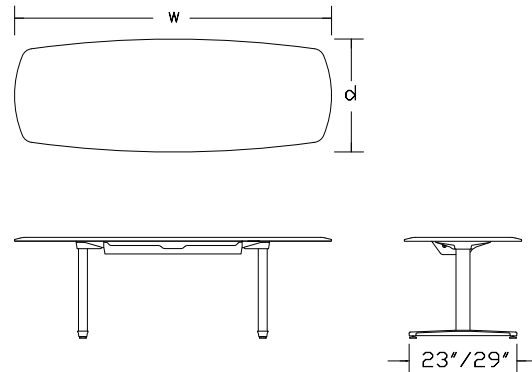
For height adjustment options with crank (C or K), crank finish color is white (91), with exceptions. For the following top surface finishes, the crank finish is graphite (G1):

- Painted (P) top finishes: CL, LU
- Veneer (W) top finishes: 2U, 40, ED, EV, EK

For additional edge, finish, and cutout options, see Vary Easy Program in appendices.

Cutouts are specifically sized for 5-wide and 6-wide Logic G1000 grommet mounted electrical distributors (Y1425.F, Y1425.G).

Dimensions



Oval Table with T-Foot *continued*

Specification Information

Step 1.

DU6DT A

Step 2. Edge

- S.** squared-edge A
- T.** thin-edge A
- E.** eased-edge A

Step 3. Depth

- 30** 30" deep (29" surface size) A
- 36** 36" deep (35" surface size) A
- 42** 42" deep (41" surface size) A

Step 4. Width

- 60** 60" wide (58" surface size) A
- 72** 72" wide (70" surface size) A
- 84** 84" wide (82" surface size) A

Step 5. Surface Material

For squared-edge (S.)

- L** laminate top/thermoplastic edge A
- W** veneer top/veneer edge A
- P** painted Formcoat® top/edge A

For thin-edge (T.)

- L** laminate top/thermoplastic edge A
- W** veneer top/veneer edge A
- P** painted Formcoat® top/edge A

For eased-edge (E.)

- P** painted Formcoat® top/edge A

Step 6. Height Adjustment

- C** crank sit-to-stand A
- K** crank seated A
- E** electric standard range A
- D** electric extended range A

Prices for Steps 1-6.

	LC	LK	LE	LD	WC	WK
DU6DTS. 30 60	\$2442	2442	2825	3447	2802	2802
72	\$2491	2491	2883	3517	2976	2976
84	\$2541	2541	2942	3589	3037	3037

36 60	\$2592	2544	3002	3662	3099	3099	
72	\$2644	2596	3063	3737	3162	3162	
84	\$2696	2648	3125	3812	3225	3225	
42 60	\$2749	2701	3187	3888	3290	3290	
72	\$2825	2777	3277	3997	3382	3382	
84	\$2903	2855	3369	4111	3478	3478	
		WE	WD	PC	PK	PE	PD
DU6DTS. 30 60	\$3441	4199	2514	2514	2967	3619	
72	\$3512	4284	2566	2566	3027	3693	
84	\$3583	4372	2618	2618	3089	3769	
36 60	\$3656	4461	2671	2671	3152	3846	
72	\$3731	4552	2726	2726	3216	3924	
84	\$3806	4643	2780	2780	3281	4003	
42 60	\$3882	4736	2836	2836	3346	4083	
72	\$3991	4869	2916	2916	3440	4197	
84	\$4104	5007	2998	2998	3538	4316	
		LC	LK	LE	LD	WC	WK
DU6DTS. 30 60	\$2634	2634	3108	3792	3362	3362	
72	\$2688	2688	3171	3869	3571	3571	
84	\$2743	2743	3236	3948	3644	3644	
36 60	\$2799	2799	3302	4029	3718	3718	
72	\$2856	2856	3370	4111	3794	3794	
84	\$2913	2913	3437	4193	3870	3870	
42 60	\$2971	2971	3506	4277	3948	3948	
72	\$3054	3054	3604	4397	4059	4059	
84	\$3141	3141	3706	4522	4173	4173	
		WE	WD	PC	PK	PE	PD
DU6DTS. 30 60	\$4130	5038	2766	2766	3263	3981	
72	\$4214	5141	2822	2822	3330	4063	
84	\$4300	5246	2880	2880	3398	4146	
36 60	\$4388	5353	2938	2938	3467	4230	
72	\$4477	5462	2998	2998	3538	4317	
84	\$4567	5572	3058	3058	3609	4403	
42 60	\$4658	5683	3120	3120	3681	4491	
72	\$4789	5843	3207	3207	3784	4617	
84	\$4925	6008	3298	3298	3892	4748	
		WE	WD	PC	PK	PE	PD
DU6DTE. 30 60	—	—	\$2766	2766	3263	3981	
72	—	—	\$2822	2822	3330	4063	
84	—	—	\$2880	2880	3398	4146	
36 60	—	—	\$2938	2938	3467	4230	
72	—	—	\$2998	2998	3538	4317	
84	—	—	\$3058	3058	3609	4403	

Oval Table with T-Foot *continued*

Renew™ Adjustable-Height Tables

42 60	—	—	\$3120	3120	3681	4491
72	—	—	\$3207	3207	3784	4617
84	—	—	\$3298	3298	3892	4748

Step 7. Hidden Power Access

For crank sit-to-stand (C), crank seated (K), or electric standard range (E)

NNP	no power access <input type="checkbox"/>					+\$0
PLA	leg access <input type="checkbox"/>					+\$200

Step 8. Switch Option

For electric standard range (E) or electric extended range (D)

SUD	simple up down <input type="checkbox"/>					+\$0
SRM	digital read out with memory <input type="checkbox"/>					+\$160

Step 9.

Top Finish

For laminate top/thermoplastic edge (L)

76	light brown walnut <input type="checkbox"/>					+\$0
8Q	folkstone grey <input type="checkbox"/>					+\$0
91	white <input type="checkbox"/>					+\$0
98	studio white <input type="checkbox"/>					+\$0
CL	cool grey neutral <input type="checkbox"/>					+\$0
HF	inner tone light <input type="checkbox"/>					+\$0
HM	natural maple <input type="checkbox"/>					+\$0
HP	light anigre <input type="checkbox"/>					+\$0
HT	inner tone <input type="checkbox"/>					+\$0
HX	aged cherry <input type="checkbox"/>					+\$0
HY	walnut on cherry <input type="checkbox"/>					+\$0
LA	light ash <input type="checkbox"/>					+\$0
LBA	clear on ash <input type="checkbox"/>					+\$0
LBB	oak on ash <input type="checkbox"/>					+\$0
LBC	walnut on ash <input type="checkbox"/>					+\$0
LBD	dark brown walnut <input type="checkbox"/>					+\$0
LBE	medium red walnut <input type="checkbox"/>					+\$0
LBF	neutral twill <input type="checkbox"/>					+\$0
LBG	sarum twill <input type="checkbox"/>					+\$0
LBH	earthen twill <input type="checkbox"/>					+\$0
LBJ	graphite twill <input type="checkbox"/>					+\$0
LBK	pewter mesh <input type="checkbox"/>					+\$0
LBL	steel mesh <input type="checkbox"/>					+\$0
LBM	crisp linen <input type="checkbox"/>					+\$0
LBN	classic linen <input type="checkbox"/>					+\$0
LBP	casual linen <input type="checkbox"/>					+\$0
LBQ	white twill <input type="checkbox"/>					+\$0
LU	soft white <input type="checkbox"/>					+\$0
WL	sandstone <input type="checkbox"/>					+\$0
WN	warm grey neutral <input type="checkbox"/>					+\$0

Oval Table with T-Foot *continued*

Top/Edge Finish		
<i>For veneer top/veneer edge (W)</i>		
2U	light brown walnut <input type="checkbox"/> <input type="checkbox"/>	+\$85
40	dark brown walnut <input type="checkbox"/> <input type="checkbox"/>	+\$85
A2	white ash <input type="checkbox"/> <input type="checkbox"/>	+\$85
ED	aged cherry <input type="checkbox"/> <input type="checkbox"/>	+\$85
EK	medium red walnut <input type="checkbox"/> <input type="checkbox"/>	+\$85
ET	clear on ash <input type="checkbox"/> <input type="checkbox"/>	+\$85
EU	oak on ash <input type="checkbox"/> <input type="checkbox"/>	+\$85
EV	walnut on ash <input type="checkbox"/> <input type="checkbox"/>	+\$85
OU	walnut <input type="checkbox"/> <input type="checkbox"/>	+\$85
UL	natural maple <input type="checkbox"/> <input type="checkbox"/>	+\$85
UX	walnut on cherry <input type="checkbox"/> <input type="checkbox"/>	+\$85

Top/Edge Finish		
<i>For painted Formcoat® top/edge (P)</i>		
8Q	folkstone grey <input type="checkbox"/> <input type="checkbox"/>	+\$0
91	white <input type="checkbox"/> <input type="checkbox"/>	+\$0
CL	cool grey neutral <input type="checkbox"/> <input type="checkbox"/>	+\$0
LU	soft white <input type="checkbox"/> <input type="checkbox"/>	+\$0
WL	sandstone <input type="checkbox"/> <input type="checkbox"/>	+\$0
WN	warm grey neutral <input type="checkbox"/> <input type="checkbox"/>	+\$0

Step 10. Edge Finish		
<i>For laminate top/thermoplastic edge (L)</i>		
76	light brown walnut <input type="checkbox"/> <input type="checkbox"/>	+\$0
8Q	folkstone grey <input type="checkbox"/> <input type="checkbox"/>	+\$0
91	white <input type="checkbox"/> <input type="checkbox"/>	+\$0
98	studio white <input type="checkbox"/> <input type="checkbox"/>	+\$0
CL	cool grey neutral <input type="checkbox"/> <input type="checkbox"/>	+\$0
HF	inner tone light <input type="checkbox"/> <input type="checkbox"/>	+\$0
HM	natural maple <input type="checkbox"/> <input type="checkbox"/>	+\$0
HP	light anigre <input type="checkbox"/> <input type="checkbox"/>	+\$0
HT	inner tone <input type="checkbox"/> <input type="checkbox"/>	+\$0
HX	aged cherry <input type="checkbox"/> <input type="checkbox"/>	+\$0
HY	walnut on cherry <input type="checkbox"/> <input type="checkbox"/>	+\$0
LA	light ash <input type="checkbox"/> <input type="checkbox"/>	+\$0
LBA	clear on ash <input type="checkbox"/> <input type="checkbox"/>	+\$0
LBB	oak on ash <input type="checkbox"/> <input type="checkbox"/>	+\$0
LBC	walnut on ash <input type="checkbox"/> <input type="checkbox"/>	+\$0
LBD	dark brown walnut <input type="checkbox"/> <input type="checkbox"/>	+\$0
LBE	medium red walnut <input type="checkbox"/> <input type="checkbox"/>	+\$0
LBF	neutral twill <input type="checkbox"/> <input type="checkbox"/>	+\$0
LBG	sarum twill <input type="checkbox"/> <input type="checkbox"/>	+\$0
LBH	earthen twill <input type="checkbox"/> <input type="checkbox"/>	+\$0
LBJ	graphite twill <input type="checkbox"/> <input type="checkbox"/>	+\$0
LBK	pewter mesh <input type="checkbox"/> <input type="checkbox"/>	+\$0
LBL	steel mesh <input type="checkbox"/> <input type="checkbox"/>	+\$0
LBM	crisp linen <input type="checkbox"/> <input type="checkbox"/>	+\$0
LBN	classic linen <input type="checkbox"/> <input type="checkbox"/>	+\$0
LBP	casual linen <input type="checkbox"/> <input type="checkbox"/>	+\$0
LBQ	white twill <input type="checkbox"/> <input type="checkbox"/>	+\$0
LU	soft white <input type="checkbox"/> <input type="checkbox"/>	+\$0
WL	sandstone <input type="checkbox"/> <input type="checkbox"/>	+\$0
WN	warm grey neutral <input type="checkbox"/> <input type="checkbox"/>	+\$0

Step 11. Crank Handle Finish		
<i>For crank sit-to-stand (C) or crank seated (K)</i>		
91	white <input type="checkbox"/> <input type="checkbox"/>	+\$0
G1	graphite <input type="checkbox"/> <input type="checkbox"/>	+\$0

Oval Table with T-Foot *continued*

Step 12. Leg/Foot Finish		
8Q	folkstone grey leg with folkstone grey foot <input type="checkbox"/> A	+\$0
91	white leg with white foot <input type="checkbox"/> A	+\$0
98	studio white leg with studio white foot <input type="checkbox"/> A	+\$0
G2	graphite satin leg with graphite satin foot <input type="checkbox"/> A	+\$0
WL	sandstone leg with sandstone foot <input type="checkbox"/> A	+\$0
WN	warm grey neutral leg with warm grey neutral foot <input type="checkbox"/> A	+\$0
CN	metallic champagne <input type="checkbox"/> A	+\$0
MS	metallic silver leg with metallic silver foot <input type="checkbox"/> A	+\$20
LFF	white leg with polished aluminum foot <input type="checkbox"/> A	+\$160
LFG	warm grey neutral leg with polished aluminum foot <input type="checkbox"/> A	+\$160
LFH	graphite satin leg with polished aluminum foot <input type="checkbox"/> A	+\$160
LFJ	metallic silver leg with polished aluminum foot <input type="checkbox"/> A	+\$160
LFK	studio white leg with polished aluminum foot <input type="checkbox"/> A	+\$0

Step 13. Cord Cover/Cable Management		
PSC	simple cable <input type="checkbox"/> A	+\$0
PHD	high density cable trough <input type="checkbox"/> A	+\$299

Step 14. Power Access Cutout

For simple cable (PSC)

NNN	no cutout <input type="checkbox"/> A	+\$0
------------	--------------------------------------	------

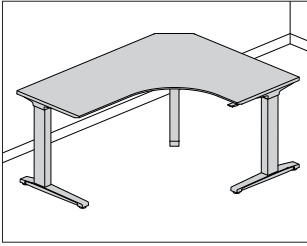
For high density cable trough (PHD)

NNN	no cutout <input type="checkbox"/> A	+\$0
CAC	center cutout 6 port - Y1425.D/G or Y1420.X <input type="checkbox"/> A	+\$45
CC5	center cutout 5 port - Y1425.C/F or Y1420.V <input type="checkbox"/> A	+\$45

Step 15. Casters/Glides		
57	glides <input type="checkbox"/> A	+\$0

90° Extended Corner Table with C-Foot

DU6ECE
DU6ECS
DU6ECT



Product Information

Description

This height-adjustable 90° extended corner table has a C-leg configuration, comes in multiple edge styles, and has a laminate top with thermoplastic edge, veneer top and edge, or painted Formcoat® top and edge. Power access can be hidden, and there are multiple height adjustment, wire management, and switch options. Glides have 1/2" leveling range. Shipped knocked down. Electric products are UL Listed. Floor to top-of-surface height adjustment ranges are 22"-34" for the crank seated (K) option, 27"-46" for the crank sit-to-stand (C) and electric standard range (E) options, and 22"-48" for the electric extended range (D) option.

Notes

For additional details on available edge options see Appendices.

Sizes listed for table depth and width are nominal. Depth of surface is reduced 1" for cord management. Width of surface is reduced 2" to minimize possible pinch hazards.

Legs are nearly flush with sides of the surface for maximum knee clearance. Knee clearance is equal to nominal top width less 8".

Simple cable cover (PSC) is facility installed only.

High density cable trough (PHD) can be accessed by users for daily cord management. It will be on the extended side of the corner. High density cable trough (PHD) not available on 36"-wide or 42"-wide tables of any depth.

For height adjustment options with crank (C or K), crank can be attached above the right or left leg through top of work surface. Requires 6" of clearance from adjacent panel or wall to complete a revolution.

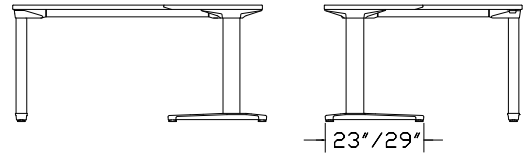
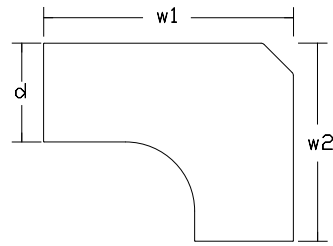
For height adjustment options with crank (C or K), crank finish color is white (g1), with exceptions. For the following top surface finishes, the crank finish is graphite (G1):

- Painted (P) top finishes: CL, LU
- Veneer (W) top finishes: 2U, 40, ED, EV, EK

For additional edge, finish, and cutout options, see Vary Easy Program in appendices.

Cutouts are specifically sized for 5-wide and 6-wide Logic G1000 grommet mounted electrical distributors (Y1425.F, Y1425.G).

Dimensions



90° Extended Corner Table with C-Foot *continued*

Specification Information

Step 1.

DU6EC A

Step 2. Edge

S. squared-edge A

T. thin-edge A

E. eased-edge A

Step 3. Depth

24 24" deep (23" surface size) A

30 30" deep (29" surface size) A

Step 4. Width

4260 42" wide left x 60" wide right (40" x 58" surface size) A

4272 42" wide left x 72" wide right (40" x 70" surface size) A

4860 48" wide left x 60" wide right (46" x 58" surface size) A

4872 48" wide left x 72" wide right (46" x 70" surface size) A

5454 54" wide left x 54" wide right (52" x 52" surface size) A

6042 60" wide left x 42" wide right (58" x 40" surface size) A

6048 60" wide left x 48" wide right (58" x 46" surface size) A

6060 60" wide left x 60" wide right (58" x 58" surface size) A

7242 72" wide left x 42" wide right (70" x 40" surface size) A

7248 72" wide left x 48" wide right (70" x 46" surface size) A

Step 5. Surface Material

For squared-edge (S.)

L laminate top/thermoplastic edge A

W veneer top/veneer edge A

P painted Formcoat® top/edge A

For thin-edge (T.)

L laminate top/thermoplastic edge A

W veneer top/veneer edge A

P painted Formcoat® top/edge A

For eased-edge (E.)

P painted Formcoat® top/edge A

Step 6. Height Adjustment

C crank sit-to-stand A

K crank seated A

E electric standard range A

D electric extended range A

Prices for Steps 1-6.

		LC	LK	LE	LD	WC	WK
DU6ECS. 24	4260	\$3585	3585	4700	5910	4419	4419
	4272	\$3648	3648	4786	6020	4507	4507
	4860	\$3713	3713	4873	6132	4598	4598
	4872	\$3779	3779	4963	6247	4690	4690
	5454	\$3700	3700	4948	5846	3948	3948
	6042	\$3585	3585	4700	5910	4419	4419
	6048	\$3713	3713	4873	6132	4598	4598
	6060	\$3767	3767	5041	5957	4029	4029
	7242	\$3648	3648	4786	6020	4507	4507
	7248	\$3779	3779	4963	6247	4690	4690
30	4260	\$3846	3846	4844	6153	4783	4783
	4272	\$3915	3915	4937	6272	4879	4879
	4860	\$3985	3985	5031	6394	4977	4977
	4872	\$4057	4057	5128	6518	5076	5076
	5454	\$3721	3721	5263	6367	4974	4974
	6042	\$3846	3846	4844	6153	4783	4783
	6048	\$3985	3985	5031	6394	4977	4977
	6060	\$3789	3789	5366	6493	5210	5210
	7242	\$3915	3915	4937	6272	4879	4879
	7248	\$4057	4057	5128	6518	5076	5076
		WE	WD	PC	PK	PE	PD
DU6ECS. 24	4260	\$5506	6457	3810	3810	4923	6000
	4272	\$5625	6610	3886	3886	5026	6132
	4860	\$5747	6766	3963	3963	5131	6267
	4872	\$5871	6926	4043	4043	5238	6404
	5454	\$4982	5326	3538	3538	4655	5245
	6042	\$5506	6457	3810	3810	4923	6000
	6048	\$5747	6766	3963	3963	5131	6267
	6060	\$5093	5459	3610	3610	4755	5364
	7242	\$5625	6610	3886	3886	5026	6132
	7248	\$5871	6926	4043	4043	5238	6404
30	4260	\$5514	6487	4124	4124	4972	6022
	4272	\$5643	6653	4206	4206	5084	6165
	4860	\$5775	6822	4290	4290	5197	6311
	4872	\$5910	6994	4376	4376	5313	6459
	5454	\$5775	6850	3560	3560	4844	5451
	6042	\$5514	6487	4124	4124	4972	6022
	6048	\$5775	6822	4290	4290	5197	6311
	6060	\$5975	7025	3633	3633	4955	5585
	7242	\$5643	6653	4206	4206	5084	6165
	7248	\$5910	6994	4376	4376	5313	6459

90° Extended Corner Table with C-Foot *continued*

	LC	LK	LE	LD	WC	WK
DU6ECT. 24 4260	\$3892	3892	4862	6005	4411	4411
4272	\$3962	3962	4951	6119	4508	4508
4860	\$4033	4033	5042	6236	4607	4607
4872	\$4106	4106	5135	6355	4708	4708
5454	\$4019	4019	5392	6265	3893	3893
6042	\$3892	3892	4862	6005	4411	4411
6048	\$4033	4033	5042	6236	4607	4607
6060	\$4093	4093	5494	6387	3982	3982
7242	\$3962	3962	4951	6119	4508	4508
7248	\$4106	4106	5135	6355	4708	4708
30 4260	\$3980	3980	5029	6192	4487	4487
4272	\$4056	4056	5126	6315	4592	4592
4860	\$4133	4133	5224	6442	4699	4699
4872	\$4211	4211	5325	6570	4809	4809
5454	\$3843	3843	5769	6784	5100	5100
6042	\$3980	3980	5029	6192	4487	4487
6048	\$4133	4133	5224	6442	4699	4699
6060	\$3917	3917	5883	6922	5451	5451
7242	\$4056	4056	5126	6315	4592	4592
7248	\$4211	4211	5325	6570	4809	4809
	WE	WD	PC	PK	PE	PD
DU6ECT. 24 4260	\$5646	6862	3790	3790	5079	6169
4272	\$5770	7021	3874	3874	5186	6306
4860	\$5896	7184	3960	3960	5295	6446
4872	\$6026	7350	4047	4047	5407	6589
5454	\$5428	6077	3492	3492	5093	5734
6042	\$5646	6862	3790	3790	5079	6169
6048	\$5896	7184	3960	3960	5295	6446
6060	\$5550	6224	3571	3571	5203	5865
7242	\$5770	7021	3874	3874	5186	6306
7248	\$6026	7350	4047	4047	5407	6589
30 4260	\$5672	6894	3836	3836	5100	6218
4272	\$5807	7066	3927	3927	5216	6366
4860	\$5944	7242	4019	4019	5334	6518
4872	\$6084	7421	4114	4114	5455	6673
5454	\$6000	7020	3216	3216	5293	6018
6042	\$5672	6894	3836	3836	5100	6218
6048	\$5944	7242	4019	4019	5334	6518
6060	\$6200	7400	3296	3296	5416	6166
7242	\$5807	7066	3927	3927	5216	6366
7248	\$6084	7421	4114	4114	5455	6673

	WE	WD	PC	PK	PE	PD
DU6ECE. 24 4260	—	—	\$3790	3790	5079	6169
4272	—	—	\$3874	3874	5186	6306
4860	—	—	\$3960	3960	5295	6446
4872	—	—	\$4047	4047	5407	6589
5454	—	—	\$3492	3492	5093	5734
6042	—	—	\$3790	3790	5079	6169
6048	—	—	\$3960	3960	5295	6446
6060	—	—	\$3571	3571	5203	5865
7242	—	—	\$3874	3874	5186	6306
7248	—	—	\$4047	4047	5407	6589
30 4260	—	—	\$3836	3836	5100	6218
4272	—	—	\$3927	3927	5216	6366
4860	—	—	\$4019	4019	5334	6518
4872	—	—	\$4114	4114	5455	6673
5454	—	—	\$3216	3216	5293	6018
6042	—	—	\$3836	3836	5100	6218
6048	—	—	\$4019	4019	5334	6518
6060	—	—	\$3296	3296	5416	6166
7242	—	—	\$3927	3927	5216	6366
7248	—	—	\$4114	4114	5455	6673

Step 7. Hidden Power Access

For crank sit-to-stand (C), crank seated (K), or electric standard range (E)

NNP	no power access	A	+\$0
PLA	leg access	A	+\$200

For electric extended range (D)

NNP	no power access	A	+\$0
------------	-----------------	---	------

Step 8. Switch Option

For electric standard range (E) or electric extended range (D)

SUD	simple up down	A	+\$0
SRM	digital read out with memory	A	+\$160

90° Extended Corner Table with C-Foot *continued*

Step 9.

Top Finish

For laminate top/thermoplastic edge (L)

76	light brown walnut <input type="checkbox"/>	+\$0
8Q	folkstone grey <input type="checkbox"/>	+\$0
91	white <input type="checkbox"/>	+\$0
98	studio white <input type="checkbox"/>	+\$0
CL	cool grey neutral <input type="checkbox"/>	+\$0
HF	inner tone light <input type="checkbox"/>	+\$0
HM	natural maple <input type="checkbox"/>	+\$0
HP	light anigre <input type="checkbox"/>	+\$0
HT	inner tone <input type="checkbox"/>	+\$0
HX	aged cherry <input type="checkbox"/>	+\$0
HY	walnut on cherry <input type="checkbox"/>	+\$0
LA	light ash <input type="checkbox"/>	+\$0
LBA	clear on ash <input type="checkbox"/>	+\$0
LBB	oak on ash <input type="checkbox"/>	+\$0
LBC	walnut on ash <input type="checkbox"/>	+\$0
LBD	dark brown walnut <input type="checkbox"/>	+\$0
LBE	medium red walnut <input type="checkbox"/>	+\$0
LBF	neutral twill <input type="checkbox"/>	+\$0
LBG	sarum twill <input type="checkbox"/>	+\$0
LBH	earthen twill <input type="checkbox"/>	+\$0
LBJ	graphite twill <input type="checkbox"/>	+\$0
LBK	pewter mesh <input type="checkbox"/>	+\$0
LBL	steel mesh <input type="checkbox"/>	+\$0
LBM	crisp linen <input type="checkbox"/>	+\$0
LBN	classic linen <input type="checkbox"/>	+\$0
LBP	casual linen <input type="checkbox"/>	+\$0
LBQ	white twill <input type="checkbox"/>	+\$0
LU	soft white <input type="checkbox"/>	+\$0
WL	sandstone <input type="checkbox"/>	+\$0
WN	warm grey neutral <input type="checkbox"/>	+\$0

Top/Edge Finish

For veneer top/veneer edge (W)

2U	light brown walnut <input type="checkbox"/>	+\$85
40	dark brown walnut <input type="checkbox"/>	+\$85
A2	white ash <input type="checkbox"/>	+\$85
ED	aged cherry <input type="checkbox"/>	+\$85
EK	medium red walnut <input type="checkbox"/>	+\$85
ET	clear on ash <input type="checkbox"/>	+\$85
EU	oak on ash <input type="checkbox"/>	+\$85
EV	walnut on ash <input type="checkbox"/>	+\$85
OU	walnut <input type="checkbox"/>	+\$85
UL	natural maple <input type="checkbox"/>	+\$85
UX	walnut on cherry <input type="checkbox"/>	+\$85

Top/Edge Finish

For painted Formcoat® top/edge (P)

8Q	folkstone grey <input type="checkbox"/>	+\$0
91	white <input type="checkbox"/>	+\$0
CL	cool grey neutral <input type="checkbox"/>	+\$0
LU	soft white <input type="checkbox"/>	+\$0
WL	sandstone <input type="checkbox"/>	+\$0
WN	warm grey neutral <input type="checkbox"/>	+\$0

90° Extended Corner Table with C-Foot *continued*

Step 10. Edge Finish		
<i>For laminate top/thermoplastic edge (L)</i>		
76	light brown walnut A	+\$0
8Q	folkstone grey A	+\$0
91	white A	+\$0
98	studio white A	+\$0
CL	cool grey neutral A	+\$0
HF	inner tone light A	+\$0
HM	natural maple A	+\$0
HP	light anigre A	+\$0
HT	inner tone A	+\$0
HX	aged cherry A	+\$0
HY	walnut on cherry A	+\$0
LA	light ash A	+\$0
LBA	clear on ash A	+\$0
LBB	oak on ash A	+\$0
LBC	walnut on ash A	+\$0
LBD	dark brown walnut A	+\$0
LBE	medium red walnut A	+\$0
LBF	neutral twill A	+\$0
LBG	sarum twill A	+\$0
LBH	earthen twill A	+\$0
LBJ	graphite twill A	+\$0
LBK	pewter mesh A	+\$0
LBL	steel mesh A	+\$0
LBM	crisp linen A	+\$0
LBN	classic linen A	+\$0
LBP	casual linen A	+\$0
LBQ	white twill A	+\$0
LU	soft white A	+\$0
WL	sandstone A	+\$0
WN	warm grey neutral A	+\$0

Step 11. Crank Handle Finish		
<i>For crank sit-to-stand (C) or crank seated (K)</i>		
91	white A	+\$0
G1	graphite A	+\$0

Step 12. Leg/Foot Finish		
8Q	folkstone grey leg with folkstone grey foot A	+\$0
91	white leg with white foot A	+\$0
98	studio white leg with studio white foot A	+\$0
G2	graphite satin leg with graphite satin foot A	+\$0
WL	sandstone leg with sandstone foot A	+\$0
WN	warm grey neutral leg with warm grey neutral foot A	+\$0
CN	metallic champagne A	+\$0
MS	metallic silver leg with metallic silver foot A	+\$20
LFF	white leg with polished aluminum foot A	+\$160
LFG	warm grey neutral leg with polished aluminum foot A	+\$160
LFH	graphite satin leg with polished aluminum foot A	+\$160
LFJ	metallic silver leg with polished aluminum foot A	+\$160
LFK	studio white leg with polished aluminum foot A	+\$0

Step 13. Cord Cover/Cable Management		
<i>For 24" deep (23" surface size) (24)</i>		
PSC	simple cable A	+\$0
<i>For 30" deep (29" surface size) (30)</i>		
PSC	simple cable A	+\$0
PHD	high density cable trough A	+\$299

Step 14. Power Access Cutout		
<i>For 24" deep (23" surface size) (24) or 30" deep (29" surface size) (30) with simple cable (PSC)</i>		
NNN	no cutout A	+\$0
<i>For 30" deep (29" surface size) (30) with 42" wide left x 60" wide right (40" x 58" surface size) (4260), 42" wide left x 72" wide right (40" x 70" surface size) (4272), 48" wide left x 60" wide right (46" x 58" surface size) (4860), 48" wide left x 72" wide right (46" x 70" surface size) (4872), 60" wide left x 42" wide right (58" x 40" surface size) (6042), 60" wide left x 48" wide right (58" x 46" surface size) (6048), or 72" wide left x 42" wide right (70" x 40" surface size) (7242), or 72" wide left x 48" wide right (70" x 46" surface size) (7248) with high density cable trough (PHD)</i>		
NNN	no cutout A	+\$0
LAC	left cutout 6 port - Y1425.D/G or Y1420.X A	+\$45
RAC	right cutout 6 port - Y1425.D/G or Y1420.X A	+\$45
LC5	left cutout 5 port - Y1425.C/F or Y1420.V A	+\$45
RC5	right cutout 5 port - Y1425.C/F or Y1420.V A	+\$45
CAC	center cutout 6 port - Y1425.D/G or Y1420.X A	+\$45
CC5	center cutout 5 port - Y1425.C/F or Y1420.V A	+\$45

90° Extended Corner Table with C-Foot *continued*

Renew™ Adjustable-Height Tables

For 30" deep (29" surface size) (30) with 54" wide left x 54" wide right (52" x 52" surface size) (5454), or 60" wide left x 60" wide right (58" x 58" surface size) (6060) with high density cable trough (PHD)

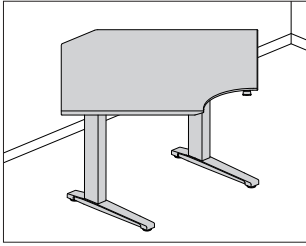
NNN	no cutout <input type="checkbox"/>	+\$0
LAC	left cutout 6 port - Y1425.D/G or Y1420.X <input type="checkbox"/>	+\$45
RAC	right cutout 6 port - Y1425.D/G or Y1420.X <input type="checkbox"/>	+\$45
LC5	left cutout 5 port - Y1425.C/F or Y1420.V <input type="checkbox"/>	+\$45
RC5	right cutout 5 port - Y1425.C/F or Y1420.V <input type="checkbox"/>	+\$45

Step 15. Casters/Glides

57	glides <input type="checkbox"/>	+\$0
-----------	---------------------------------	------

90° Corner Table with C-Foot

DU6FCE
DU6FCS
DU6FCT



Product Information

Description

This height-adjustable 90° corner table has a C-Leg configuration, comes in multiple edge styles, and has a laminate top with thermoplastic edge, veneer top and edge, or painted Formcoat® top and edge. Power access can be hidden, and there are multiple height adjustment, wire management, and switch options. Glides have 1/2" leveling range. Shipped knocked down. Electric products are UL Listed. Floor to top-of-surface height adjustment ranges are 22"-34" for the crank seated (K) option, 27"-46" for the crank sit-to-stand (C) and electric standard range (E) options, and 22"-48" for the electric extended range (D) option.

Notes

For additional details on available edge options see Appendices.

Sizes listed for table depth and width are nominal. Depth of surface is reduced 1" for cord management. Width of surface is reduced 2" to minimize possible pinch hazards.

Legs are nearly flush with sides of the surface for maximum knee clearance. Knee clearance is equal to nominal top width less 8".

Simple cable cover (PSC) is facility installed only.

High density cable trough (PHD) can be accessed by users for daily cord management. High density cable trough (PHD) not available on 36"-wide or 42"-wide tables of any depth.

For height adjustment options with crank (C or K), crank can be attached above the right or left leg through top of work surface. Requires 6" of clearance from adjacent panel or wall to complete a revolution.

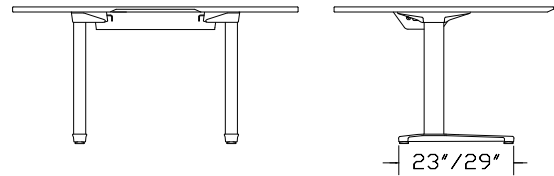
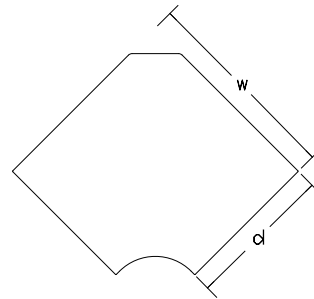
For height adjustment options with crank (C or K), crank finish color is white (G1), with exceptions. For the following top surface finishes, the crank finish is graphite (G1):

- Painted (P) top finishes: CL, LU
- Veneer (W) top finishes: 2U, 40, ED, EV, EK

For additional edge, finish, and cutout options, see Vary Easy Program in appendices.

Cutouts are specifically sized for 5-wide and 6-wide Logic G1000 grommet mounted electrical distributors (Y1425.F, Y1425.G).

Dimensions



90° Corner Table with C-Foot

continued

Renew™ Adjustable-Height Tables

Specification Information

Step 1.

DU6FC A

Step 2. Edge

S. squared-edge A

T. thin-edge A

E. eased-edge A

Step 3. Depth

24 24" deep (23" surface size) A

30 30" deep (29" surface size) A

Step 4. Width

42 42" wide (40" surface size) A

48 48" wide (46" surface size) A

Step 5. Surface Material

For squared-edge (S.)

L laminate top/thermoplastic edge A

W veneer top/veneer edge A

P painted Formcoat® top/edge A

For thin-edge (T.)

L laminate top/thermoplastic edge A

W veneer top/veneer edge A

P painted Formcoat® top/edge A

For eased-edge (E.)

P painted Formcoat® top/edge A

Step 6. Height Adjustment

C crank sit-to-stand A

K crank seated A

E electric standard range A

D electric extended range A

Prices for Steps 1-6.

	LC	LK	LE	LD	WC	WK
DU6FCS. 24 42	\$2388	2388	2949	3690	2866	2866
48	\$2435	2435	3008	3763	2923	2923
30 42	\$2400	2400	3089	3796	2880	2880
48	\$2448	2448	3151	3872	2938	2938

	WE	WD	PC	PK	PE	PD
DU6FCS. 24 42	\$3416	4078	2555	2555	3031	3698
48	\$3486	4166	2606	2606	3094	3777
30 42	\$3583	4205	2568	2568	3180	3811
48	\$3657	4296	2619	2619	3246	3893

	LC	LK	LE	LD	WC	WK
DU6FCT. 24 42	\$2626	2626	3244	3809	2717	2717
48	\$2679	2679	3309	3890	2778	2778
30 42	\$2640	2640	3398	3925	2732	2732
48	\$2693	2693	3466	4009	2794	2794

	WE	WD	PC	PK	PE	PD
DU6FCT. 24 42	\$3388	4138	2560	2560	3122	3793
48	\$3464	4233	2616	2616	3191	3880
30 42	\$3567	4274	2575	2575	3286	3918
48	\$3646	4371	2631	2631	3359	4007

	WE	WD	PC	PK	PE	PD
DU6FCE. 24 42	—	—	\$2560	2560	3122	3793
48	—	—	\$2616	2616	3191	3880
30 42	—	—	\$2575	2575	3286	3918
48	—	—	\$2631	2631	3359	4007

Step 7. Hidden Power Access

For crank sit-to-stand (C), crank seated (K), or electric standard range (E)

NNP no power access A +\$0

PLA leg access A +\$200

For electric extended range (D)

NNP no power access A +\$0

Step 8. Switch Option

For electric standard range (E) or electric extended range (D)

SUD simple up down A +\$0

SRM digital read out with memory A +\$160

Step 9.

Top Finish

For laminate top/thermoplastic edge (L)

J6 frosted slate grey A +\$0

90° Corner Table with C-Foot

continued

Top Finish		
<i>For laminate top/thermoplastic edge (L)</i>		
76	light brown walnut <input type="checkbox"/>	+\$0
8Q	folkstone grey <input type="checkbox"/>	+\$0
91	white <input type="checkbox"/>	+\$0
98	studio white <input type="checkbox"/>	+\$0
CL	cool grey neutral <input type="checkbox"/>	+\$0
HF	inner tone light <input type="checkbox"/>	+\$0
HM	natural maple <input type="checkbox"/>	+\$0
HP	light anigre <input type="checkbox"/>	+\$0
HT	inner tone <input type="checkbox"/>	+\$0
HX	aged cherry <input type="checkbox"/>	+\$0
HY	walnut on cherry <input type="checkbox"/>	+\$0
LA	light ash <input type="checkbox"/>	+\$0
LBA	clear on ash <input type="checkbox"/>	+\$0
LBB	oak on ash <input type="checkbox"/>	+\$0
LBC	walnut on ash <input type="checkbox"/>	+\$0
LBD	dark brown walnut <input type="checkbox"/>	+\$0
LBE	medium red walnut <input type="checkbox"/>	+\$0
LBF	neutral twill <input type="checkbox"/>	+\$0
LBG	sarum twill <input type="checkbox"/>	+\$0
LBH	earthen twill <input type="checkbox"/>	+\$0
LBJ	graphite twill <input type="checkbox"/>	+\$0
LBK	pewter mesh <input type="checkbox"/>	+\$0
LBL	steel mesh <input type="checkbox"/>	+\$0
LBM	crisp linen <input type="checkbox"/>	+\$0
LBN	classic linen <input type="checkbox"/>	+\$0
LBP	casual linen <input type="checkbox"/>	+\$0
LBQ	white twill <input type="checkbox"/>	+\$0
LU	soft white <input type="checkbox"/>	+\$0
WL	sandstone <input type="checkbox"/>	+\$0
WN	warm grey neutral <input type="checkbox"/>	+\$0

Top/Edge Finish		
<i>For veneer top/veneer edge (W)</i>		
2U	light brown walnut <input type="checkbox"/>	+\$85
40	dark brown walnut <input type="checkbox"/>	+\$85
A2	white ash <input type="checkbox"/>	+\$85
ED	aged cherry <input type="checkbox"/>	+\$85
EK	medium red walnut <input type="checkbox"/>	+\$85
ET	clear on ash <input type="checkbox"/>	+\$85
EU	oak on ash <input type="checkbox"/>	+\$85
EV	walnut on ash <input type="checkbox"/>	+\$85
OU	walnut <input type="checkbox"/>	+\$85
UL	natural maple <input type="checkbox"/>	+\$85
UX	walnut on cherry <input type="checkbox"/>	+\$85

Top/Edge Finish		
<i>For painted Formcoat® top/edge (P)</i>		
8Q	folkstone grey <input type="checkbox"/>	+\$0
91	white <input type="checkbox"/>	+\$0
CL	cool grey neutral <input type="checkbox"/>	+\$0
LU	soft white <input type="checkbox"/>	+\$0
WL	sandstone <input type="checkbox"/>	+\$0
WN	warm grey neutral <input type="checkbox"/>	+\$0

Step 10. Edge Finish		
<i>For laminate top/thermoplastic edge (L)</i>		
76	light brown walnut <input type="checkbox"/>	+\$0
8Q	folkstone grey <input type="checkbox"/>	+\$0
91	white <input type="checkbox"/>	+\$0
98	studio white <input type="checkbox"/>	+\$0
CL	cool grey neutral <input type="checkbox"/>	+\$0
HF	inner tone light <input type="checkbox"/>	+\$0
HM	natural maple <input type="checkbox"/>	+\$0
HP	light anigre <input type="checkbox"/>	+\$0
HT	inner tone <input type="checkbox"/>	+\$0
HX	aged cherry <input type="checkbox"/>	+\$0
HY	walnut on cherry <input type="checkbox"/>	+\$0
LA	light ash <input type="checkbox"/>	+\$0
LBA	clear on ash <input type="checkbox"/>	+\$0
LBB	oak on ash <input type="checkbox"/>	+\$0
LBC	walnut on ash <input type="checkbox"/>	+\$0
LBD	dark brown walnut <input type="checkbox"/>	+\$0
LBE	medium red walnut <input type="checkbox"/>	+\$0
LBF	neutral twill <input type="checkbox"/>	+\$0
LBG	sarum twill <input type="checkbox"/>	+\$0
LBH	earthen twill <input type="checkbox"/>	+\$0
LBJ	graphite twill <input type="checkbox"/>	+\$0
LBK	pewter mesh <input type="checkbox"/>	+\$0
LBL	steel mesh <input type="checkbox"/>	+\$0
LBM	crisp linen <input type="checkbox"/>	+\$0
LBN	classic linen <input type="checkbox"/>	+\$0
LBP	casual linen <input type="checkbox"/>	+\$0
LBQ	white twill <input type="checkbox"/>	+\$0
LU	soft white <input type="checkbox"/>	+\$0
WL	sandstone <input type="checkbox"/>	+\$0
WN	warm grey neutral <input type="checkbox"/>	+\$0

Step 11. Crank Handle Finish		
<i>For crank sit-to-stand (C) or crank seated (K)</i>		
91	white <input type="checkbox"/>	+\$0
G1	graphite <input type="checkbox"/>	+\$0

Renew™ Adjustable-Height Tables

90° Corner Table with C-Foot

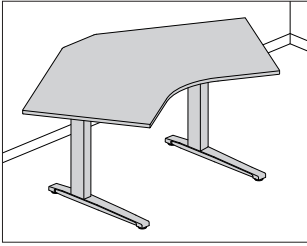
continued

Renew™ Adjustable-Height Tables

Step 12. Leg/Foot Finish		
8Q	folkstone grey leg with folkstone grey foot <input type="checkbox"/>	+\$0
91	white leg with white foot <input type="checkbox"/>	+\$0
98	studio white leg with studio white foot <input type="checkbox"/>	+\$0
G2	graphite satin leg with graphite satin foot <input type="checkbox"/>	+\$0
WL	sandstone leg with sandstone foot <input type="checkbox"/>	+\$0
WN	warm grey neutral leg with warm grey neutral foot <input type="checkbox"/>	+\$0
CN	metallic champagne <input type="checkbox"/>	+\$0
MS	metallic silver leg with metallic silver foot <input type="checkbox"/>	+\$20
LFF	white leg with polished aluminum foot <input type="checkbox"/>	+\$160
LFG	warm grey neutral leg with polished aluminum foot <input type="checkbox"/>	+\$160
LFH	graphite satin leg with polished aluminum foot <input type="checkbox"/>	+\$160
LFJ	metallic silver leg with polished aluminum foot <input type="checkbox"/>	+\$160
LFK	studio white leg with polished aluminum foot <input type="checkbox"/>	+\$0
Step 13. Cord Cover/Cable Management		
PSC	simple cable <input type="checkbox"/>	+\$0
PHD	high density cable trough <input type="checkbox"/>	+\$299
Step 14. Power Access Cutout		
NNN	no cutout <input type="checkbox"/>	+\$0
CAC	center cutout 6 port - Y1425.D/G or Y1420.X <input type="checkbox"/>	+\$45
CC5	center cutout 5 port - Y1425.C/F or Y1420.V <input type="checkbox"/>	+\$45
Step 15. Casters/Glides		
57	glides <input type="checkbox"/>	+\$0

120° Corner Table with C-Foot

DU6GCE
DU6GCS
DU6GCT



Product Information

Description

This height-adjustable 120° corner table has a C-leg configuration, comes in multiple edge styles, and has a laminate top with thermoplastic edge, veneer top and edge, or painted Formcoat® top and edge. Power access can be hidden, and there are multiple height adjustment, wire management, and switch options. Glides have 1/2" leveling range. Shipped knocked down. Electric products are UL Listed. Floor to top-of-surface height adjustment ranges are 22"-34" for the crank seated (K) option, 27"-46" for the crank sit-to-stand (C) and electric standard range (E) options, and 22"-48" for the electric extended range (D) option.

Notes

For additional details on available edge options see Appendices.

Sizes listed for table depth and width are nominal. Depth of surface is reduced 1" for cord management. Width of surface is reduced 2" to minimize possible pinch hazards.

Legs are nearly flush with sides of the surface for maximum knee clearance. Knee clearance is equal to nominal top width less 8".

Simple cable cover (PSC) is facility installed only.

High density cable trough (PHD) can be accessed by users for daily cord management. High density cable trough (PHD) not available on 36"-wide or 42"-wide tables of any depth.

For height adjustment options with crank (C or K), crank can be attached above the right or left leg through top of work surface. Requires 6" of clearance from adjacent panel or wall to complete a revolution.

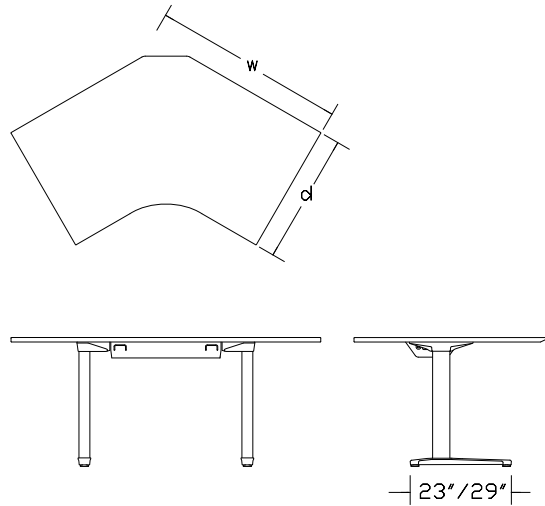
For height adjustment options with crank (C or K), crank finish color is white (G1), with exceptions. For the following top surface finishes, the crank finish is graphite (G1):

- Painted (P) top finishes: CL, LU
- Veneer (W) top finishes: 2U, 40, ED, EV, EK

For additional edge, finish, and cutout options, see Vary Easy Program in appendices.

Cutouts are specifically sized for 5-wide and 6-wide Logic G1000 grommet mounted electrical distributors (Y1425.F, Y1425.G).

Dimensions



120° Corner Table with C-Foot

continued

Renew™ Adjustable-Height Tables

Specification Information						
Step 1.						
DU6GC	<input type="checkbox"/> A					
Step 2. Edge						
S.	squared-edge <input type="checkbox"/> A					
T.	thin-edge <input type="checkbox"/> A					
E.	eased-edge <input type="checkbox"/> A					
Step 3. Depth						
24	24" deep (23" surface size) <input type="checkbox"/> A					
30	30" deep (29" surface size) <input type="checkbox"/> A					
Step 4. Width						
42	42" wide (40" surface size) <input type="checkbox"/> A					
48	48" wide (46" surface size) <input type="checkbox"/> A					
Step 5. Surface Material						
<i>For squared-edge (S.)</i>						
L	lamine top/thermoplastic edge <input type="checkbox"/> A					
W	veneer top/veneer edge <input type="checkbox"/> A					
P	painted Formcoat® top/edge <input type="checkbox"/> A					
<i>For thin-edge (T.)</i>						
L	lamine top/thermoplastic edge <input type="checkbox"/> A					
W	veneer top/veneer edge <input type="checkbox"/> A					
P	painted Formcoat® top/edge <input type="checkbox"/> A					
<i>For eased-edge (E.)</i>						
P	painted Formcoat® top/edge <input type="checkbox"/> A					
Step 6. Height Adjustment						
C	crank sit-to-stand <input type="checkbox"/> A					
K	crank seated <input type="checkbox"/> A					
E	electric standard range <input type="checkbox"/> A					
D	electric extended range <input type="checkbox"/> A					
Prices for Steps 1-6.						
	LC	LK	LE	LD	WC	WK
DU6GCS. 24 42	\$2683	2683	3368	4001	3351	3351
48	\$2737	2737	3436	4081	3418	3418
30 42	\$2811	2811	3496	4243	3477	3477
48	\$2864	2864	3564	4325	3544	3544

	WE	WD	PC	PK	PE	PD
DU6GCS. 24 42	\$3997	4632	2871	2871	3604	4281
48	\$4086	4737	2928	2928	3676	4366
30 42	\$4125	4910	2998	2998	3732	4531
48	\$4214	5018	3056	3056	3804	4619

	LC	LK	LE	LD	WC	WK
DU6GCT. 24 42	\$2951	2951	3455	4101	3486	3486
48	\$3010	3010	3529	4189	3559	3559
30 42	\$3079	3079	3583	4354	3612	3612
48	\$3138	3138	3657	4445	3686	3686

	WE	WD	PC	PK	PE	PD
DU6GCT. 24 42	\$4170	4810	2736	2736	3400	4144
48	\$4268	4926	2799	2799	3479	4238
30 42	\$4298	5103	2863	2720	3527	4406
48	\$4396	5222	2926	2783	3606	4503

	WE	WD	PC	PK	PE	PD
DU6GCE. 24 42	—	—	\$2736	2736	3400	4144
48	—	—	\$2799	2799	3479	4238
30 42	—	—	\$2863	2720	3527	4406
48	—	—	\$2926	2783	3606	4503

Step 7. Hidden Power Access

For crank sit-to-stand (C), crank seated (K), or electric standard range (E)

NNP	no power access <input type="checkbox"/> A	+\$0
PLA	leg access <input type="checkbox"/> A	+\$200

For electric extended range (D)

NNP	no power access <input type="checkbox"/> A	+\$0
------------	--	------

Step 8. Switch Option

For electric standard range (E) or electric extended range (D)

SUD	simple up down <input type="checkbox"/> A	+\$0
SRM	digital read out with memory <input type="checkbox"/> A	+\$160

120° Corner Table with C-Foot

continued

Step 9.

Top Finish

For laminate top/thermoplastic edge (L)

76	light brown walnut <input type="checkbox"/>	+\$0
8Q	folkstone grey <input type="checkbox"/>	+\$0
91	white <input type="checkbox"/>	+\$0
98	studio white <input type="checkbox"/>	+\$0
CL	cool grey neutral <input type="checkbox"/>	+\$0
HF	inner tone light <input type="checkbox"/>	+\$0
HM	natural maple <input type="checkbox"/>	+\$0
HP	light anigre <input type="checkbox"/>	+\$0
HT	inner tone <input type="checkbox"/>	+\$0
HX	aged cherry <input type="checkbox"/>	+\$0
HY	walnut on cherry <input type="checkbox"/>	+\$0
LA	light ash <input type="checkbox"/>	+\$0
LBA	clear on ash <input type="checkbox"/>	+\$0
LBB	oak on ash <input type="checkbox"/>	+\$0
LBC	walnut on ash <input type="checkbox"/>	+\$0
LBD	dark brown walnut <input type="checkbox"/>	+\$0
LBE	medium red walnut <input type="checkbox"/>	+\$0
LBF	neutral twill <input type="checkbox"/>	+\$0
LBG	sarum twill <input type="checkbox"/>	+\$0
LBH	earthen twill <input type="checkbox"/>	+\$0
LBJ	graphite twill <input type="checkbox"/>	+\$0
LBK	pewter mesh <input type="checkbox"/>	+\$0
LBL	steel mesh <input type="checkbox"/>	+\$0
LBM	crisp linen <input type="checkbox"/>	+\$0
LBN	classic linen <input type="checkbox"/>	+\$0
LBP	casual linen <input type="checkbox"/>	+\$0
LBQ	white twill <input type="checkbox"/>	+\$0
LU	soft white <input type="checkbox"/>	+\$0
WL	sandstone <input type="checkbox"/>	+\$0
WN	warm grey neutral <input type="checkbox"/>	+\$0

Top/Edge Finish

For veneer top/veneered edge (W)

2U	light brown walnut <input type="checkbox"/>	+\$85
40	dark brown walnut <input type="checkbox"/>	+\$85
A2	white ash <input type="checkbox"/>	+\$85
ED	aged cherry <input type="checkbox"/>	+\$85
EK	medium red walnut <input type="checkbox"/>	+\$85
ET	clear on ash <input type="checkbox"/>	+\$85
EU	oak on ash <input type="checkbox"/>	+\$85
EV	walnut on ash <input type="checkbox"/>	+\$85
OU	walnut <input type="checkbox"/>	+\$85
UL	natural maple <input type="checkbox"/>	+\$85
UX	walnut on cherry <input type="checkbox"/>	+\$85

Top/Edge Finish

For painted Formcoat® top/edge (P)

8Q	folkstone grey <input type="checkbox"/>	+\$0
91	white <input type="checkbox"/>	+\$0
CL	cool grey neutral <input type="checkbox"/>	+\$0
LU	soft white <input type="checkbox"/>	+\$0
WL	sandstone <input type="checkbox"/>	+\$0
WN	warm grey neutral <input type="checkbox"/>	+\$0

120° Corner Table with C-Foot

continued

Renew™ Adjustable-Height Tables

Step 10. Edge Finish		
<i>For laminate top/thermoplastic edge (L)</i>		
76	light brown walnut <input type="checkbox"/>	+\$0
8Q	folkstone grey <input type="checkbox"/>	+\$0
91	white <input type="checkbox"/>	+\$0
98	studio white <input type="checkbox"/>	+\$0
CL	cool grey neutral <input type="checkbox"/>	+\$0
HF	inner tone light <input type="checkbox"/>	+\$0
HM	natural maple <input type="checkbox"/>	+\$0
HP	light anigre <input type="checkbox"/>	+\$0
HT	inner tone <input type="checkbox"/>	+\$0
HX	aged cherry <input type="checkbox"/>	+\$0
HY	walnut on cherry <input type="checkbox"/>	+\$0
LA	light ash <input type="checkbox"/>	+\$0
LBA	clear on ash <input type="checkbox"/>	+\$0
LBB	oak on ash <input type="checkbox"/>	+\$0
LBC	walnut on ash <input type="checkbox"/>	+\$0
LBD	dark brown walnut <input type="checkbox"/>	+\$0
LBE	medium red walnut <input type="checkbox"/>	+\$0
LBF	neutral twill <input type="checkbox"/>	+\$0
LBG	sarum twill <input type="checkbox"/>	+\$0
LBH	earthen twill <input type="checkbox"/>	+\$0
LBJ	graphite twill <input type="checkbox"/>	+\$0
LBK	pewter mesh <input type="checkbox"/>	+\$0
LBL	steel mesh <input type="checkbox"/>	+\$0
LBM	crisp linen <input type="checkbox"/>	+\$0
LBN	classic linen <input type="checkbox"/>	+\$0
LBP	casual linen <input type="checkbox"/>	+\$0
LBQ	white twill <input type="checkbox"/>	+\$0
LU	soft white <input type="checkbox"/>	+\$0
WL	sandstone <input type="checkbox"/>	+\$0
WN	warm grey neutral <input type="checkbox"/>	+\$0

Step 11. Crank Handle Finish		
<i>For crank sit-to-stand (C) or crank seated (K)</i>		
91	white <input type="checkbox"/>	+\$0
G1	graphite <input type="checkbox"/>	+\$0

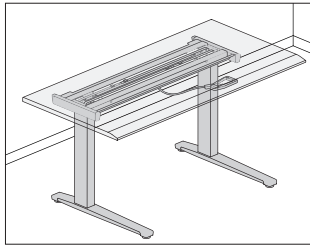
Step 12. Leg/Foot Finish		
8Q	folkstone grey leg with folkstone grey foot <input type="checkbox"/>	+\$0
91	white leg with white foot <input type="checkbox"/>	+\$0
98	studio white leg with studio white foot <input type="checkbox"/>	+\$0
G2	graphite satin leg with graphite satin foot <input type="checkbox"/>	+\$0
WL	sandstone leg with sandstone foot <input type="checkbox"/>	+\$0
WN	warm grey neutral leg with warm grey neutral foot <input type="checkbox"/>	+\$0
CN	metallic champagne <input type="checkbox"/>	+\$0
MS	metallic silver leg with metallic silver foot <input type="checkbox"/>	+\$20
LFF	white leg with polished aluminum foot <input type="checkbox"/>	+\$160
LFG	warm grey neutral leg with polished aluminum foot <input type="checkbox"/>	+\$160
LFH	graphite satin leg with polished aluminum foot <input type="checkbox"/>	+\$160
LFJ	metallic silver leg with polished aluminum foot <input type="checkbox"/>	+\$160
LFK	studio white leg with polished aluminum foot <input type="checkbox"/>	+\$0

Step 13. Cord Cover/Cable Management		
PSC	simple cable <input type="checkbox"/>	+\$0
PHD	high density cable trough <input type="checkbox"/>	+\$299

Step 14. Power Access Cutout		
NNN	no cutout <input type="checkbox"/>	+\$0
CAC	center cutout 6 port - Y1425.D/G or Y1420.X <input type="checkbox"/>	+\$45
CC5	center cutout 5 port - Y1425.C/F or Y1420.V <input type="checkbox"/>	+\$45

Step 15. Casters/Glides		
57	glides <input type="checkbox"/>	+\$0

Rectangle Counterbalance Table DU6ACG with C-Foot



Product Information

Description

This rectangular height-adjustable table has a C-leg configuration, comes in multiple edge styles, and has a laminate top with thermoplastic edge, laminate top with a thermoplastic backed plywood edge, veneer top and edge, or painted Formcoat® top and edge. Glides have 1/2" leveling range. Shipped knocked down.

Floor to top-of-surface height adjustment range is 27"-46". A nonpowered gas-assisted counterbalance mechanism provides smooth operation throughout the entire height range.

Notes

For additional details on available edge options see Appendices.

Sizes listed for table depth and width are nominal. Depth of surface is reduced 1" for cord management. Width of surface is reduced 2" to minimize possible pinch hazards.

Legs are nearly flush with sides of the surface for maximum knee clearance. Knee clearance is equal to nominal top width less 8".

Simple cable cover (PSC) is facility installed only.

For height adjustment options with crank (C or K), crank can be attached above the right or left leg through top of work surface. Requires 6" of clearance from adjacent panel or wall to complete a revolution.

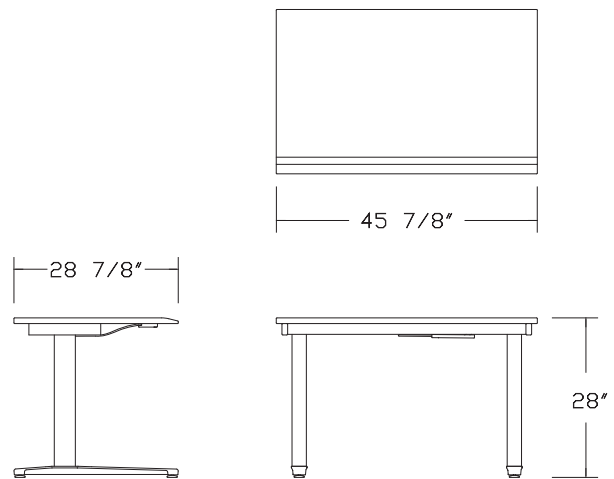
For height adjustment options with crank (C or K), crank finish color is white (G1), with exceptions. For the following top surface finishes, the crank finish is graphite (G1):

- Painted (P) top finishes: CL, LU
- Veneer (W) top finishes: 2U, 40, ED, EV, EK

For additional edge, finish, and cutout options, see Vary Easy Program in appendices.

Cutouts are specifically sized for 5-wide and 6-wide Logic G1000 grommet mounted electrical distributors (Y1425.F, Y1425.G).

Dimensions



Rectangle Counterbalance Table with C-Foot *continued*

Specification Information	
Step 1.	
DU6ACG <input type="checkbox"/> A	
Step 2. Edge	
S.	squared-edge <input type="checkbox"/> A
T.	thin-edge <input type="checkbox"/> A
E.	eased-edge <input type="checkbox"/> A
Step 3. Depth	
24	24" deep <input type="checkbox"/> A
30	30" deep <input type="checkbox"/> A
Step 4. Width	
<i>For 24" deep (24)</i>	
48	48" wide <input type="checkbox"/> A
60	60" wide <input type="checkbox"/> A
72	72" wide <input type="checkbox"/> A
<i>For 30" deep (30)</i>	
48	48" wide <input type="checkbox"/> A
60	60" wide <input type="checkbox"/> A
72	72" wide <input type="checkbox"/> A
Step 5. Surface Material	
<i>For squared-edge (S.)</i>	
L	lamine top/thermoplastic edge <input type="checkbox"/> A
W	veneer top/veneer edge <input type="checkbox"/> A
P	painted Formcoat® top/edge <input type="checkbox"/> A
<i>For thin-edge (T.)</i>	
L	lamine top/thermoplastic edge <input type="checkbox"/> A
W	veneer top/veneer edge <input type="checkbox"/> A
P	painted Formcoat® top/edge <input type="checkbox"/> A
<i>For eased-edge (E.)</i>	
P	painted Formcoat® top/edge <input type="checkbox"/> A

Prices for Steps 1-5.						
	48L	48W	48P	60L	60W	60P
DU6ACG S. 24	\$3218	3733	3379	3411	3957	3582
30	\$3300	3828	3465	3493	4052	3668
T. 24	\$3540	4106	3717	3752	4352	3940
30	\$3630	4211	3812	3842	4457	4034

E. 24	—	—	\$3717	—	—	3940
30	—	—	\$3812	—	—	4034
				72L	72W	72P
DU6ACG S. 24				\$3629	4210	3810
30				\$3711	4305	3897
T. 24				\$3992	4631	4191
30				\$4082	4735	4286
E. 24				—	—	\$4192
30				—	—	\$4286
Step 6. Cord Cover/Cable Management						
PSC	simple cable <input type="checkbox"/> A					+\$0

Rectangle Counterbalance Table with C-Foot *continued*

Step 7.

Top Finish

For laminate top/thermoplastic edge (L)

76	light brown walnut <input type="checkbox"/>	+\$0
8Q	folkstone grey <input type="checkbox"/>	+\$0
91	white <input type="checkbox"/>	+\$0
98	studio white <input type="checkbox"/>	+\$0
CL	cool grey neutral <input type="checkbox"/>	+\$0
HF	inner tone light <input type="checkbox"/>	+\$0
HM	natural maple <input type="checkbox"/>	+\$0
HP	light anigre <input type="checkbox"/>	+\$0
HT	inner tone <input type="checkbox"/>	+\$0
HX	aged cherry <input type="checkbox"/>	+\$0
HY	walnut on cherry <input type="checkbox"/>	+\$0
LA	light ash <input type="checkbox"/>	+\$0
LBA	clear on ash <input type="checkbox"/>	+\$0
LBB	oak on ash <input type="checkbox"/>	+\$0
LBC	walnut on ash <input type="checkbox"/>	+\$0
LBD	dark brown walnut <input type="checkbox"/>	+\$0
LBE	medium red walnut <input type="checkbox"/>	+\$0
LBF	neutral twill <input type="checkbox"/>	+\$0
LBG	sarum twill <input type="checkbox"/>	+\$0
LBH	earthen twill <input type="checkbox"/>	+\$0
LBJ	graphite twill <input type="checkbox"/>	+\$0
LBK	pewter mesh <input type="checkbox"/>	+\$0
LBL	steel mesh <input type="checkbox"/>	+\$0
LBM	crisp linen <input type="checkbox"/>	+\$0
LBN	classic linen <input type="checkbox"/>	+\$0
LBP	casual linen <input type="checkbox"/>	+\$0
LBQ	white twill <input type="checkbox"/>	+\$0
LU	soft white <input type="checkbox"/>	+\$0
WL	sandstone <input type="checkbox"/>	+\$0
WN	warm grey neutral <input type="checkbox"/>	+\$0

Top/Edge Finish: Wood Veneer

For veneer top/veneer edge (W)

2U	light brown walnut <input type="checkbox"/>	+\$85
40	dark brown walnut <input type="checkbox"/>	+\$85
A2	white ash <input type="checkbox"/>	+\$85
ED	aged cherry <input type="checkbox"/>	+\$85
EK	medium red walnut <input type="checkbox"/>	+\$85
ET	clear on ash <input type="checkbox"/>	+\$85
EU	oak on ash <input type="checkbox"/>	+\$85
EV	walnut on ash <input type="checkbox"/>	+\$85
EY	light anigre <input type="checkbox"/>	+\$85
OU	walnut <input type="checkbox"/>	+\$85
UL	natural maple <input type="checkbox"/>	+\$85
UX	walnut on cherry <input type="checkbox"/>	+\$85

Top/Edge Finish: Opaque Formcoat®

For painted Formcoat® top/edge (P)

8Q	folkstone grey <input type="checkbox"/>	+\$0
91	white <input type="checkbox"/>	+\$0
CL	cool grey neutral <input type="checkbox"/>	+\$0
LU	soft white <input type="checkbox"/>	+\$0
WL	sandstone <input type="checkbox"/>	+\$0
WN	warm grey neutral <input type="checkbox"/>	+\$0

Rectangle Counterbalance Table with C-Foot *continued*

Step 8. Edge Finish

For laminate top/thermoplastic edge (L)

76	light brown walnut <input type="checkbox"/>	+\$0
8Q	folkstone grey <input type="checkbox"/>	+\$0
91	white <input type="checkbox"/>	+\$0
98	studio white <input type="checkbox"/>	+\$0
CL	cool grey neutral <input type="checkbox"/>	+\$0
HF	inner tone light <input type="checkbox"/>	+\$0
HM	natural maple <input type="checkbox"/>	+\$0
HP	light anigre <input type="checkbox"/>	+\$0
HT	inner tone <input type="checkbox"/>	+\$0
HX	aged cherry <input type="checkbox"/>	+\$0
HY	walnut on cherry <input type="checkbox"/>	+\$0
LA	light ash <input type="checkbox"/>	+\$0
LBA	clear on ash <input type="checkbox"/>	+\$0
LBB	oak on ash <input type="checkbox"/>	+\$0
LBC	walnut on ash <input type="checkbox"/>	+\$0
LBD	dark brown walnut <input type="checkbox"/>	+\$0
LBE	medium red walnut <input type="checkbox"/>	+\$0
LBF	neutral twill <input type="checkbox"/>	+\$0
LBG	sarum twill <input type="checkbox"/>	+\$0
LBH	earthen twill <input type="checkbox"/>	+\$0
LBJ	graphite twill <input type="checkbox"/>	+\$0
LBK	pewter mesh <input type="checkbox"/>	+\$0
LBL	steel mesh <input type="checkbox"/>	+\$0
LBM	crisp linen <input type="checkbox"/>	+\$0
LBN	classic linen <input type="checkbox"/>	+\$0
LBP	casual linen <input type="checkbox"/>	+\$0
LBQ	white twill <input type="checkbox"/>	+\$0
LU	soft white <input type="checkbox"/>	+\$0
WL	sandstone <input type="checkbox"/>	+\$0
WN	warm grey neutral <input type="checkbox"/>	+\$0

Step 9. Leg/Foot Finish

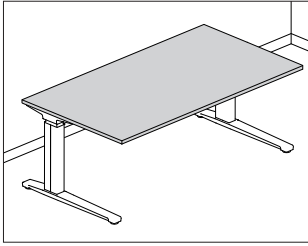
G2	graphite satin leg with graphite satin foot <input type="checkbox"/>	+\$0
MS	metallic silver leg with metallic silver foot <input type="checkbox"/>	+\$20

Step 10. Casters/Glides

57	glides <input type="checkbox"/>	+\$0
-----------	---------------------------------	------

Height Adjustable Rectangular Worksurface

DU6WS.



Product Information

Description

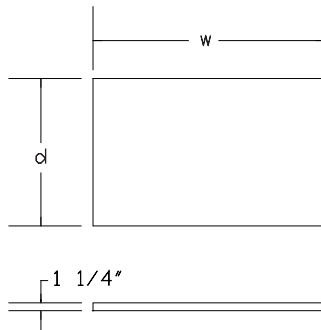
This rectangular work surface attaches to a height adjustable base to create a height adjustable table. It has a 1 1/4"-thick laminate top with thermoplastic edge or laminate top with a thermoplastic backed plywood edge.

Notes

Order 2-leg table base kit (DU7A.) separately.

Sizes listed for table depth and width are nominal. Depth of surface is reduced 1" for cord management. Width of surface is reduced 2" to minimize possible pinch hazard.

Dimensions



Specification Information

Step 1.

DU6W A

Step 2. Edge

S. squared-edge A

Step 3. Depth

24 24" deep (23" surface size) A

30 30" deep (29" surface size) A

Step 4. Width

48 48" wide (46" surface size) A

54 54" wide (52" surface size) A

60 60" wide (58" surface size) A

66 66" wide (64" surface size) A

72 72" wide (70" surface size) A

Step 5. Surface Material

L laminate top/thermoplastic edge A

Prices for Steps 1-5.

	L
DU6WS. 24 48	\$225
54	\$272
60	\$299
66	\$340
72	\$380
30 48	\$304
54	\$366
60	\$399
66	\$457
72	\$513

Step 6. Base Type

V pre-drilled holes for V1 base A + \$0

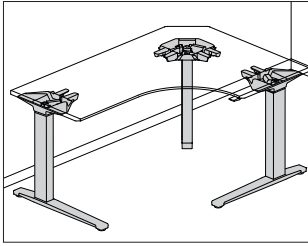
Height Adjustable Rectangular Worksurface *continued*

Step 7. Top Finish		
1X	vanilla <input type="checkbox"/>	+\$0
76	light brown walnut <input type="checkbox"/>	+\$99
8Q	folkstone grey <input type="checkbox"/>	+\$0
91	white <input type="checkbox"/>	+\$0
98	studio white <input type="checkbox"/>	+\$0
CL	cool grey neutral <input type="checkbox"/>	+\$0
HF	inner tone light <input type="checkbox"/>	+\$0
HM	natural maple <input type="checkbox"/>	+\$0
HP	light anigre <input type="checkbox"/>	+\$0
HT	inner tone <input type="checkbox"/>	+\$0
HX	aged cherry <input type="checkbox"/>	+\$99
HY	walnut on cherry <input type="checkbox"/>	+\$99
LA	light ash <input type="checkbox"/>	+\$0
LBA	clear on ash <input type="checkbox"/>	+\$0
LBB	oak on ash <input type="checkbox"/>	+\$0
LBC	walnut on ash <input type="checkbox"/>	+\$0
LBD	dark brown walnut <input type="checkbox"/>	+\$0
LBE	medium red walnut <input type="checkbox"/>	+\$0
LBF	neutral twill <input type="checkbox"/>	+\$0
LBG	sarum twill <input type="checkbox"/>	+\$0
LBH	earthen twill <input type="checkbox"/>	+\$0
LBJ	graphite twill <input type="checkbox"/>	+\$0
LBK	pewter mesh <input type="checkbox"/>	+\$0
LBL	steel mesh <input type="checkbox"/>	+\$0
LBM	crisp linen <input type="checkbox"/>	+\$0
LBN	classic linen <input type="checkbox"/>	+\$0
LBP	casual linen <input type="checkbox"/>	+\$0
LBQ	white twill <input type="checkbox"/>	+\$0
LU	soft white <input type="checkbox"/>	+\$0
WL	sandstone <input type="checkbox"/>	+\$0
WN	warm grey neutral <input type="checkbox"/>	+\$0

Step 8. Edge Finish		
76	light brown walnut <input type="checkbox"/>	+\$0
8Q	folkstone grey <input type="checkbox"/>	+\$0
91	white <input type="checkbox"/>	+\$0
98	studio white <input type="checkbox"/>	+\$0
CL	cool grey neutral <input type="checkbox"/>	+\$0
HF	inner tone light <input type="checkbox"/>	+\$0
HM	natural maple <input type="checkbox"/>	+\$0
HP	light anigre <input type="checkbox"/>	+\$0
HT	inner tone <input type="checkbox"/>	+\$0
HX	aged cherry <input type="checkbox"/>	+\$0
HY	walnut on cherry <input type="checkbox"/>	+\$0
LA	light ash <input type="checkbox"/>	+\$0
LBA	clear on ash <input type="checkbox"/>	+\$0
LBB	oak on ash <input type="checkbox"/>	+\$0
LBC	walnut on ash <input type="checkbox"/>	+\$0
LBD	dark brown walnut <input type="checkbox"/>	+\$0
LBE	medium red walnut <input type="checkbox"/>	+\$0
LBF	neutral twill <input type="checkbox"/>	+\$0
LBG	sarum twill <input type="checkbox"/>	+\$0
LBH	earthen twill <input type="checkbox"/>	+\$0
LBJ	graphite twill <input type="checkbox"/>	+\$0
LBK	pewter mesh <input type="checkbox"/>	+\$0
LBL	steel mesh <input type="checkbox"/>	+\$0
LBM	crisp linen <input type="checkbox"/>	+\$0
LBN	classic linen <input type="checkbox"/>	+\$0
LBP	casual linen <input type="checkbox"/>	+\$0
LBQ	white twill <input type="checkbox"/>	+\$0
LU	soft white <input type="checkbox"/>	+\$0
WL	sandstone <input type="checkbox"/>	+\$0
WN	warm grey neutral <input type="checkbox"/>	+\$0
Step 9. Cutout Option		
NNN	no cutout <input type="checkbox"/>	+\$0

Table Base Kit - 3 Legs

DU7F.



Product Information

Description

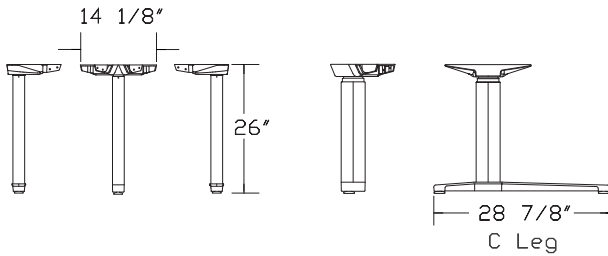
This independent 3-leg kit transforms existing work surfaces into height adjustable tables. Legs come in 2 depths with a choice of power access and switch type.

Notes

Order work surface stiffeners separately.

See Renew™ Sit-to-Stand Tables planning guide for design information.

Dimensions



Specification Information

Step 1.

DU7F. A

Step 2. Edge

E electric standard range A

D electric extended range A

Step 3. Depth

24 24" deep (23" actual) A

30 30" deep (29" actual) A

Step 4. Foot Type

C C foot A

Prices for Steps 1-4.

			C
DU7F.	E	24	\$4180
		30	\$4180
	D	24	\$5238
		30	\$5238

Step 5. Hidden Power Access

For electric standard range (E)

NNP no power access A + \$0

PLA leg access A + \$200

For electric extended range (D)

NNP no power access A + \$0

Step 6. Switch Option

SUD simple up down A + \$0

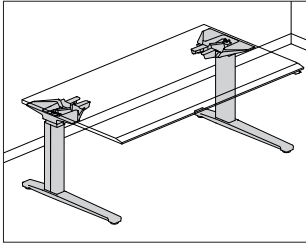
SRM digital read out with memory A + \$160

Table Base Kit - 3 Legs *continued*

Step 7. Leg/Foot Finish		
8Q	folkstone grey leg with folkstone grey foot <input type="checkbox"/> A	+\$0
91	white leg with white foot <input type="checkbox"/> A	+\$0
98	studio white leg with studio white foot <input type="checkbox"/> A	+\$0
G2	graphite satin leg with graphite satin foot <input type="checkbox"/> A	+\$0
WL	sandstone leg with sandstone foot <input type="checkbox"/> A	+\$0
WN	warm grey neutral leg with warm grey neutral foot <input type="checkbox"/> A	+\$0
MS	metallic silver leg with metallic silver foot <input type="checkbox"/> A	+\$20
CN	metallic champagne <input type="checkbox"/> A	+\$0
LFF	white leg with polished aluminum foot <input type="checkbox"/> A	+\$160
LFG	warm grey neutral leg with polished aluminum foot <input type="checkbox"/> A	+\$160
LFH	graphite satin leg with polished aluminum foot <input type="checkbox"/> A	+\$160
LFJ	metallic silver leg with polished aluminum foot <input type="checkbox"/> A	+\$160
LFK	studio white leg with polished aluminum foot <input type="checkbox"/> A	+\$0
Step 8. Casters/Glides		
57	glides <input type="checkbox"/> A	+\$0

Table Base Kit - 2 Legs

DU7A.



Product Information

Description

This independent 2-leg kit transforms existing work surfaces into height adjustable tables. Legs come in 2 depths with a choice of foot type, power access and switch type.

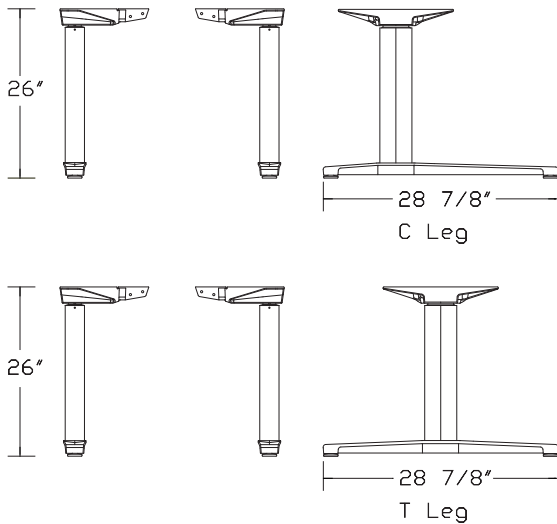
Notes

Order work surface stiffeners separately.

See Renew™ Sit-to-Stand Tables planning guide for design information.

To use 2-leg base kit on work surfaces 72" wide and wider, order motor extension cable service part U1B7600 separately.

Dimensions



Specification Information

Step 1.

DU7A. A

Step 2. Edge

E electric standard range A
D electric extended range A

Step 3. Depth

24 24" deep (23" actual) A
30 30" deep (29" actual) A

Step 4. Foot Type

For 24" deep (23" actual) (24)

C C foot A

For 30" deep (29" actual) (30)

T T foot A

C C foot A

Prices for Steps 1-4.

	T	C
DU7A. E 24	—	\$2592
30	\$2592	2592
D 24	—	\$3240
30	\$3240	3240

Step 5. Hidden Power Access

For electric standard range (E)

NNP no power access A +\$0
PLA leg access A +\$200

For electric extended range (D)

NNP no power access A +\$0

Step 6. Switch Option

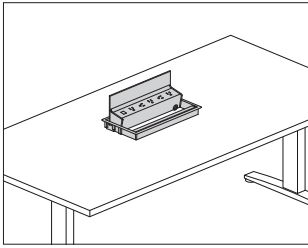
SUD simple up down A +\$0
SRM digital read out with memory A +\$160

Table Base Kit - 2 Legs *continued*

Step 7. Leg/Foot Finish		
8Q	folkstone grey leg with folkstone grey foot <input type="checkbox"/> A	+\$0
91	white leg with white foot <input type="checkbox"/> A	+\$0
98	studio white leg with studio white foot <input type="checkbox"/> A	+\$0
G2	graphite satin leg with graphite satin foot <input type="checkbox"/> A	+\$0
WL	sandstone leg with sandstone foot <input type="checkbox"/> A	+\$0
WN	warm grey neutral leg with warm grey neutral foot <input type="checkbox"/> A	+\$0
CN	metallic champagne <input type="checkbox"/> A	+\$0
MS	metallic silver leg with metallic silver foot <input type="checkbox"/> A	+\$20
LFF	white leg with polished aluminum foot <input type="checkbox"/> A	+\$160
LFG	warm grey neutral leg with polished aluminum foot <input type="checkbox"/> A	+\$160
LFH	graphite satin leg with polished aluminum foot <input type="checkbox"/> A	+\$160
LFJ	metallic silver leg with polished aluminum foot <input type="checkbox"/> A	+\$160
LFK	studio white leg with polished aluminum foot <input type="checkbox"/> A	+\$0
Step 8. Casters/Glides		
57	glides <input type="checkbox"/> A	+\$0

Logic G1000 Grommet Mounted Electrical Distributor

Y1425.



Product Information

Description

This Logic Power Access Solutions™ grommet mounted electrical distributor comes in several widths and configurations of simplex receptacles and USB charging ports. The unit is powered using a standard power cord with plug end, a hard-wired connection with electrical conduit, or an IEC connector when used with Renew™ Sit-to-Stand tables. An integrated cord keeper at the face of the unit captures energy data cords. The unit pivots from a closed position to 135° allowing easy access to power and data cords stored beneath the unit. Product is UL listed.

Notes

Field cutting of grommet cutout is possible; factory cutouts are recommended.

IEC connector for Renew power type (C) includes short cord designed to connect to the Renew table power cord through-leg option. Actual cord length may vary.

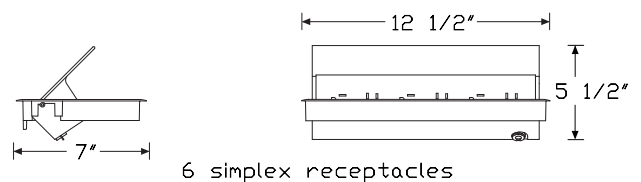
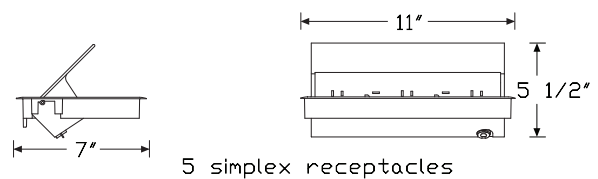
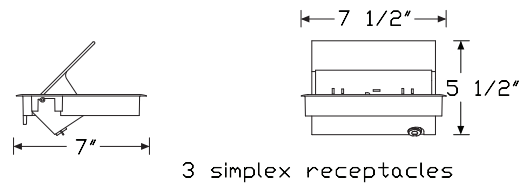
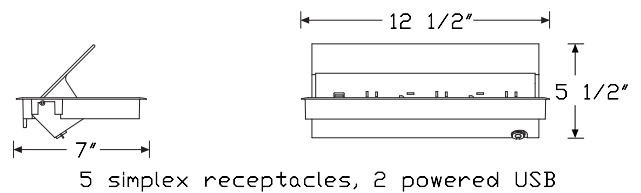
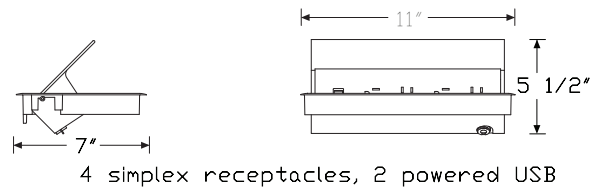
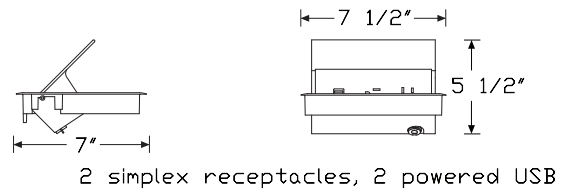
Simplex receptacles have alternating orientation and greater than normal plug spacing to accommodate most plug types.

USB ports supply 10-watt power and will charge most small electronic devices. Software in each device controls that devices ability to accept a charge via USB.

Refer to Renew™ Sit-to-Stand Tables and Locale® planning guides for specific application information.

20' cord/conduit length (20) is recommended for Exclave® applications.

Dimensions



Renew™ Power and Data Support

Logic G1000 Grommet Mounted Electrical Distributor *continued*

Specification Information

Step 1.

Y1425. A

Step 2. Configuration

- A** 2 simplex receptacles, 2 powered USB A
- C** 4 simplex receptacles, 2 powered USB A
- D** 5 simplex receptacles, 2 powered USB A
- E** 3 simplex receptacles A
- F** 5 simplex receptacles A
- G** 6 simplex receptacles A

Step 3. Power Type

- A** power cord with plug end A
- B** conduit with open end, for hard-wiring A
- C** IEC connector for Renew Tables A

Step 4. Cord/Conduit Length

For power cord with plug end (A)

- 03** 3' cord/conduit A
- 06** 6' cord/conduit A
- 10** 10' cord/conduit A

For conduit with open end, for hard-wiring (B)

- 03** 3' cord/conduit A
- 06** 6' cord/conduit A
- 10** 10' cord/conduit A

For IEC connector for Renew Tables (C)

- 03** 3' cord/conduit A

Prices for Steps 1-4.

		03	06	10
Y1425. A	A	\$623	623	633
	B	\$671	671	681
	C	\$633	—	—
C	A	\$723	723	733
	B	\$771	771	781
	C	\$733	—	—
D	A	\$787	787	797
	B	\$835	835	845
	C	\$797	—	—
E	A	\$479	479	489
	B	\$527	527	537
	C	\$489	—	—

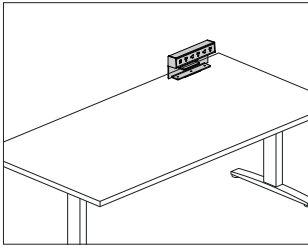
F	A	\$579	579	589
	B	\$627	627	637
	C	\$589	—	—
G	A	\$643	643	653
	B	\$691	691	701
	C	\$653	—	—

Step 5. Finish

91	white A			+\$0
G1	graphite A			+\$0
MS	metallic silver A			+\$0

Logic C1000 Universal Clamp Mount Distributor

Y1423.



Product Information

Description

This Logic Power Access Solutions™ clamp mounted electrical distributor comes in several widths and configurations of simplex receptacles and USB charging ports. The unit is powered using a standard power cord with plug end or a hard-wired connection with electrical conduit. Data cords can be routed through the integrated opening at the rear of the unit. Product is UL listed.

Notes

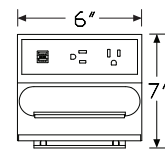
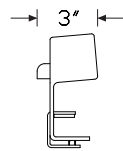
Clamp mounts on worksurfaces 1"-1 1/4" thick.

Faceplate color matches unit color.

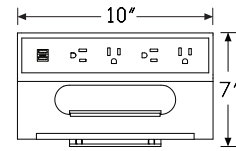
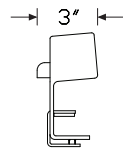
Simplex receptacles have alternating orientation and greater than normal plug spacing to accommodate most plug types.

USB ports supply 10-watt power and will charge most small electronic devices. Software in each device controls that devices ability to accept a charge via USB.

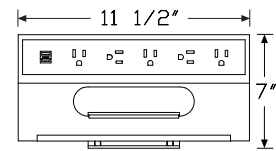
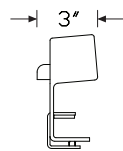
Dimensions



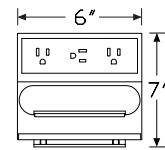
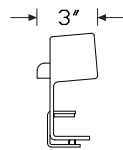
2 simplex receptacles, 2 powered USB



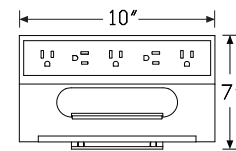
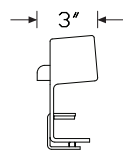
4 simplex receptacles, 2 powered USB



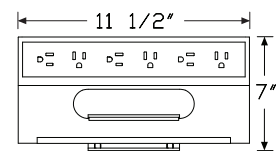
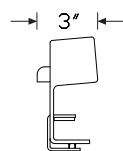
5 simplex receptacles, 2 powered USB



3 simplex receptacles



5 simplex receptacles



6 simplex receptacles

Logic C1000 Universal Clamp Mount Distributor *continued*

Renew™ Power and Data Support

Specification Information

Step 1.

Y1423. A

Step 2. Configuration

- A** 2 simplex receptacles, 2 powered USB A
- C** 4 simplex receptacles, 2 powered USB A
- D** 5 simplex receptacles, 2 powered USB A
- E** 3 simplex receptacles A
- F** 5 simplex receptacles A
- G** 6 simplex receptacles A

Step 3. Power Type

- A** power cord with plug end A
- B** conduit with open end, for hard-wiring A

Step 4. Cord/Conduit Length

- 03** 3' cord/conduit A
- 06** 6' cord/conduit A
- 10** 10' cord/conduit A

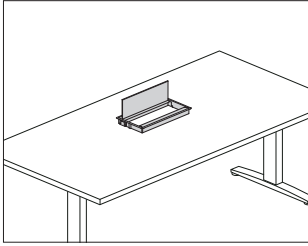
Prices for Steps 1-4.

		03	06	10
Y1423. A	A	\$438	438	448
	B	\$486	486	496
C	A	\$526	526	536
	B	\$574	574	584
D	A	\$563	563	573
	B	\$611	611	621
E	A	\$294	294	304
	B	\$342	342	352
F	A	\$382	382	392
	B	\$430	430	440
G	A	\$419	419	429
	B	\$467	467	477

Step 5. Finish

- 91** white A +\$0
- G1** graphite A +\$0
- MS** metallic silver A +\$0

Logic G1200 Grommet Pass Thru Y1420.



Product Information

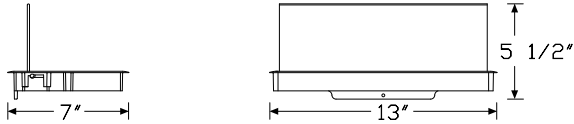
Description

This Logic Power Access Solutions™ grommet mounted metal enclosure provides access to cords kept beneath the surface. The unit has an integrated cord keeper.

Notes

Unit size is based on the grommet mounted electrical distributor (Y1425.) with simplex receptacles.

Dimensions



Specification Information

Step 1.

Y1420. A

Step 2. Configuration

- T** three outlet opening A
- V** five outlet opening A
- X** six outlet opening A

Prices for Steps 1-2.

Y1420. T	\$209
V	\$229
X	\$249

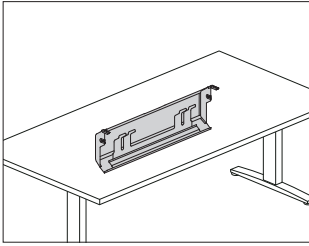
Step 3. Finish

91 white <input type="checkbox"/> A	+ \$0
G1 graphite <input type="checkbox"/> A	+ \$0
MS metallic silver <input type="checkbox"/> A	+ \$0

Renew™ Power and Data Support

Logic HD Cable Manager

Y1424.

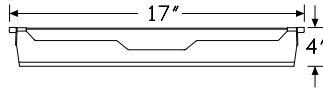
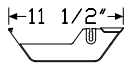


Product Information

Description

This Logic Power Access Solutions™ stand-alone cable management tray mounts to the underside of most surfaces. It can be used with a Logic unit for cord storage, or used alone with cords routed through the back side of the unit. Tray drops down and holds cords in place while working and can be easily stowed back in place.

Dimensions



Specification Information

Step 1.

Y1424. A

Step 2. Size

17 17" wide tray A

Prices for Steps 1-2.

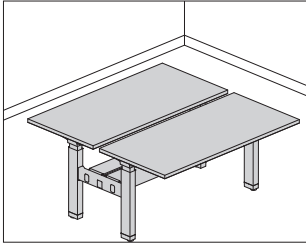
Y1424. 17 \$229

Step 3. Finish

- 91** white A +\$0
- G1** graphite A +\$0
- MS** metallic silver A +\$0

Back to Back Rectangular Height Adjustable Bench

DU2AE.
DU2AS.
DU2AT.



Product Information

Description

This rectangular back to back bench is a 2 workstation unit that can be used in back to back height adjustable benching applications in series with other Renew™ Link back to back benches to create a run. Each workstation has a C-leg configuration, comes in multiple edge styles, and has options for laminate top with thermoplastic edge, laminate top with a thermoplastic backed plywood edge, veneer top and edge, or painted Formcoat® top and edge. There are multiple height adjustment, wire management, and switch options. Glides have 1/2" of leveling adjustment. Shipped knocked down. Product is UL Listed.

Each table can be specified with a different height adjustment mechanism. Floor to top of surface height adjustment ranges are 27"-46" for the electric standard range (E) option, 22"-48" for the electric extended range (D) option, and 28 1/2" for the fixed height table (F).

Notes

To power bench applications, specify Connect™ separately. See planning guide for details.

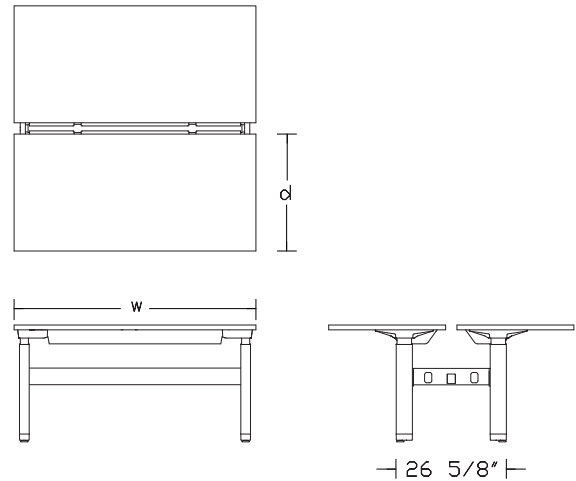
Sizes listed for table depth and width are nominal. Depth of surface is reduced 1" for cord management. Width of surface is reduced 1" to minimize possible pinch point hazards between benches.

Simple cable cover (PSC) is facility installed only.

High density cable trough (PHD) can be accessed by users for daily cord management. Available on 30" deep tables only.

Power access cutouts are specifically sized for 5 wide and 6 wide Logic G1000 grommet mounted electrical distributors (Y1425).

Dimensions



Renew™ Link

Back to Back Rectangular Height Adjustable Bench *continued*

Renew™ Link

Specification Information

Step 1.

DU2A [A](#)

Step 2. Edge

S. squared-edge [A](#)

T. thin-edge [A](#)

E. eased-edge [A](#)

Step 3. Depth

24 24" deep (23" surface size) [A](#)

30 30" deep (29" surface size) [A](#)

Step 4. Width

48 48" wide (47" surface size) [A](#)

54 54" wide (53" surface size) [A](#)

60 60" wide (59" surface size) [A](#)

66 66" wide (65" surface size) [A](#)

72 72" wide (71" surface size) [A](#)

Step 5. Surface Material

For squared-edge (S.)

L laminate top/thermoplastic edge [A](#)

W veneer top/veneer edge [A](#)

P painted Formcoat® top/edge [A](#)

For thin-edge (T.)

L laminate top/thermoplastic edge [A](#)

W veneer top/veneer edge [A](#)

P painted Formcoat® top/edge [A](#)

For eased-edge (E.)

P painted Formcoat® top/edge [A](#)

Step 6. Height Adjustable Table 1

E electric standard range [A](#)

D electric extended range [A](#)

F fixed table [A](#)

Step 7. Height Adjustable Table 2

For electric standard range (E)

E electric standard range [A](#)

D electric extended range [A](#)

F fixed table [A](#)

For electric extended range (D)

D electric extended range [A](#)

F fixed table [A](#)

For fixed table (F)

F fixed table [A](#)

Prices for Steps 1-7.

	LEE	LED	LEF	LDD	LDF	LFF
DU2AS.24 48	\$5856	7320	4756	8784	7684	3656
54	\$5980	7485	4880	8990	7890	3780
60	\$6100	7625	5000	9150	8050	3900
66	\$6230	7815	5130	9400	8300	4030
72	\$6344	7980	5244	9610	8510	4144
30 48	\$6020	7455	4920	8885	7785	3820
54	\$6115	7610	5015	9100	8000	3915
60	\$6200	7750	5100	9300	8200	4000
66	\$6300	7920	5200	9540	8440	4100
72	\$6390	8080	5290	9765	8665	4190
	WEE	WED	WEF	WDD	WDF	WFF
DU2AS.24 48	\$7028	8784	5928	10541	9441	4828
54	\$7176	8982	6076	10788	9688	4976
60	\$7320	9150	6220	10980	9880	5120
66	\$7476	9378	6376	11280	10180	5276
72	\$7613	9576	6513	11532	10432	5413
30 48	\$7224	8946	6124	10662	9562	5024
54	\$7338	9132	6238	10920	9820	5138
60	\$7440	9300	6340	11160	10060	5240
66	\$7560	9504	6460	11448	10348	5360
72	\$7668	9696	6568	11718	10618	5468
	PEE	PED	PEF	PDD	PDF	PFF
DU2AS.24 48	\$6091	7613	4991	9136	8036	3891
54	\$6220	7785	5120	9350	8250	4020
60	\$6344	7930	5244	9516	8416	4144
66	\$6480	8128	5380	9776	8676	4280
72	\$6598	8300	5498	9995	8895	4398
30 48	\$6261	7754	5161	9241	8141	4061
54	\$6360	7915	5260	9464	8364	4160
60	\$6448	8060	5348	9672	8572	4248
66	\$6552	8237	5452	9922	8822	4352
72	\$6646	8404	5546	10156	9056	4446

Back to Back Rectangular Height Adjustable Bench *continued*

	LEE	LED	LEF	LDD	LDF	LFF
DU2AT. 24 48	\$6354	7943	5254	9531	8431	4154
54	\$6489	8122	5389	9755	8655	4289
60	\$6619	8274	5519	9928	8828	4419
66	\$6760	8480	5660	10199	9099	4560
72	\$6884	8659	5784	10427	9327	4684
30 48	\$6532	8089	5432	9641	8541	4332
54	\$6635	8257	5535	9874	8774	4435
60	\$6727	8409	5627	10091	8991	4527
66	\$6836	8594	5736	10351	9251	4636
72	\$6934	8767	5834	10596	9496	4734
	WEE	WED	WEF	WDD	WDF	WFF
DU2AT. 24 48	\$7625	9532	6525	11438	10338	5425
54	\$7787	9747	6687	11706	10606	5587
60	\$7943	9929	6843	11914	10814	5743
66	\$8112	10176	7012	12239	11139	5912
72	\$8261	10391	7161	12513	11413	6061
30 48	\$7839	9707	6739	11570	10470	5639
54	\$7962	9909	6862	11849	10749	5762
60	\$8073	10091	6973	12110	11010	5873
66	\$8204	10313	7104	12422	11322	6004
72	\$8321	10521	7221	12716	11616	6121
	PEE	PED	PEF	PDD	PDF	PFF
DU2AT. 24 48	\$6609	8261	5509	9913	8813	4409
54	\$6749	8447	5649	10146	9046	4549
60	\$6884	8605	5784	10326	9226	4684
66	\$7031	8820	5931	10607	9507	4831
72	\$7160	9006	6060	10845	9745	4960
30 48	\$6794	8413	5694	10027	8927	4594
54	\$6901	8588	5801	10269	9169	4701
60	\$6997	8746	5897	10495	9395	4797
66	\$7110	8938	6010	10766	9666	4910
72	\$7212	9118	6112	11020	9920	5012
	PEE	PED	PEF	PDD	PDF	PFF
DU2AE. 24 48	\$6396	7994	5296	9593	8493	4196
54	\$6531	8175	5431	9818	8718	4331
60	\$6662	8327	5562	9992	8892	4462
66	\$6804	8535	5704	10265	9165	4604
72	\$6928	8715	5828	10495	9395	4728
30 48	\$6575	8142	5475	9704	8604	4375
54	\$6678	8311	5578	9938	8838	4478
60	\$6771	8463	5671	10156	9056	4571
66	\$6880	8649	5780	10419	9319	4680
72	\$6979	8825	5879	10664	9564	4779

Step 8. Central Cable Trough		
ECT	enhanced cable trough w/covers - data/power routing and cord management A	+\$0

Step 9. Switch Option		
<i>For fixed table (F) with fixed table (F)</i>		
SNN	no control A	+\$0

<i>For electric standard range (E) AND electric extended range (D)</i>			
	E	D	F
SUD	simple up down A	+\$0	0
SRM	digital read out with memory A	+\$160	320

Step 10. Workstation Cord Cover/Cable Management Table 1 and 2		
<i>For 24" deep (23" surface size) (24)</i>		
PSC	simple cable A	+\$0

<i>For 30" deep (29" surface size) (30)</i>		
PSC	simple cable A	+\$0
PHD	high density cable trough A	+\$299

Step 11. Power Access Cutout - Table 1 and 2		
NNN	no cutout A	+\$0

<i>For 30" deep (29" surface size) (30) with 54" wide (53" surface size) (54) with high density cable trough (PHD)</i>		
NNN	no cutout A	+\$0
LAC	left cutout 6 port Y1425 A	+\$45
RAC	right cutout 6 port Y1425 A	+\$45
LC5	left cutout 5 port Y1425 A	+\$45
RC5	right cutout 5 port Y1425 A	+\$45

<i>For 30" deep (29" surface size) (30) with 60" wide (59" surface size) (60), or 66" wide (65" surface size) (66), or 72" wide (71" surface size) (72) with high density cable trough (PHD)</i>		
NNN	no cutout A	+\$0
LAC	left cutout A	+\$45
RAC	right cutout A	+\$45
CAC	center cutout A	+\$45
LC5	left cutout 5 port Y1425 A	+\$45
RC5	right cutout 5 port Y1425 A	+\$45
CC5	center cutout 5 port Y1425 A	+\$45

Renew™ Link

Back to Back Rectangular Height Adjustable Bench *continued*

Renew™ Link

Step 12.

Top Finish

For laminate top/thermoplastic edge (L)

1X	vanilla <input type="checkbox"/>	+\$0
28	canyon <input type="checkbox"/>	+\$0
29	misted <input type="checkbox"/>	+\$0
2X	wheat <input type="checkbox"/>	+\$0
38	twilight <input type="checkbox"/>	+\$0
39	desert <input type="checkbox"/>	+\$0
3X	celery <input type="checkbox"/>	+\$0
4X	coriander <input type="checkbox"/>	+\$0
5X	chamomile <input type="checkbox"/>	+\$0
6X	cinnamon <input type="checkbox"/>	+\$0
76	light brown walnut <input type="checkbox"/>	+\$0
7X	cardamom <input type="checkbox"/>	+\$0
8Q	folkstone grey <input type="checkbox"/>	+\$0
8X	kale <input type="checkbox"/>	+\$0
91	white <input type="checkbox"/>	+\$0
98	studio white <input type="checkbox"/>	+\$0
CL	cool grey neutral <input type="checkbox"/>	+\$0
HF	inner tone light <input type="checkbox"/>	+\$0
HM	natural maple <input type="checkbox"/>	+\$0
HP	light anigre <input type="checkbox"/>	+\$0
HT	inner tone <input type="checkbox"/>	+\$0
HX	aged cherry <input type="checkbox"/>	+\$0
HY	walnut on cherry <input type="checkbox"/>	+\$0
J4	frosted light grey <input type="checkbox"/>	+\$0
J5	frosted inner tone light <input type="checkbox"/>	+\$0
J7	frosted medium tone <input type="checkbox"/>	+\$0
LA	light ash <input type="checkbox"/>	+\$0
LBA	clear on ash <input type="checkbox"/>	+\$0
LBB	oak on ash <input type="checkbox"/>	+\$0
LBC	walnut on ash <input type="checkbox"/>	+\$0
LBD	dark brown walnut <input type="checkbox"/>	+\$0
LBE	medium red walnut <input type="checkbox"/>	+\$0
LBF	neutral twill <input type="checkbox"/>	+\$0
LBG	sarum twill <input type="checkbox"/>	+\$0
LBH	earthen twill <input type="checkbox"/>	+\$0
LBJ	graphite twill <input type="checkbox"/>	+\$0
LBK	pewter mesh <input type="checkbox"/>	+\$0
LBL	steel mesh <input type="checkbox"/>	+\$0
LBM	crisp linen <input type="checkbox"/>	+\$0
LBN	classic linen <input type="checkbox"/>	+\$0
LBP	casual linen <input type="checkbox"/>	+\$0
LBQ	white twill <input type="checkbox"/>	+\$0
LG	light grey (discontinuing) <input type="checkbox"/>	+\$0

LM	mahogany <input type="checkbox"/>	+\$0
LT	light tone <input type="checkbox"/>	+\$0
LU	soft white <input type="checkbox"/>	+\$0
MT	medium tone <input type="checkbox"/>	+\$0
OG	honey maple <input type="checkbox"/>	+\$0
WL	sandstone <input type="checkbox"/>	+\$0
WN	warm grey neutral <input type="checkbox"/>	+\$0
X1	chalk white <input type="checkbox"/>	+\$0

Top/Edge Finish

For veneer top/veneer edge (W)

2U	light brown walnut <input type="checkbox"/>	+\$170
40	dark brown walnut <input type="checkbox"/>	+\$170
ED	aged cherry <input type="checkbox"/>	+\$170
EK	medium red walnut <input type="checkbox"/>	+\$170
ET	clear on ash <input type="checkbox"/>	+\$170
EU	oak on ash <input type="checkbox"/>	+\$170
EV	walnut on ash <input type="checkbox"/>	+\$170
UL	natural maple <input type="checkbox"/>	+\$170
UX	walnut on cherry <input type="checkbox"/>	+\$170

Top/Edge Finish

For painted Formcoat® top/edge (P)

8Q	folkstone grey <input type="checkbox"/>	+\$0
91	white <input type="checkbox"/>	+\$0
CL	cool grey neutral <input type="checkbox"/>	+\$0
LU	soft white <input type="checkbox"/>	+\$0
WL	sandstone <input type="checkbox"/>	+\$0
WN	warm grey neutral <input type="checkbox"/>	+\$0

Step 13. Edge Finish

For laminate top/thermoplastic edge (L)

28	canyon <input type="checkbox"/>	+\$0
29	misted <input type="checkbox"/>	+\$0
38	twilight <input type="checkbox"/>	+\$0
39	desert <input type="checkbox"/>	+\$0
76	light brown walnut <input type="checkbox"/>	+\$0
8Q	folkstone grey <input type="checkbox"/>	+\$0
8Z	neutral grey <input type="checkbox"/>	+\$0
91	white <input type="checkbox"/>	+\$0
98	studio white <input type="checkbox"/>	+\$0
9V	tapestry beige <input type="checkbox"/>	+\$0
BU	black umber <input type="checkbox"/>	+\$0
CL	cool grey neutral <input type="checkbox"/>	+\$0
CM	cinnamon <input type="checkbox"/>	+\$0
CO	chamomile <input type="checkbox"/>	+\$0
G2	graphite satin <input type="checkbox"/>	+\$0

Back to Back Rectangular Height Adjustable Bench *continued*

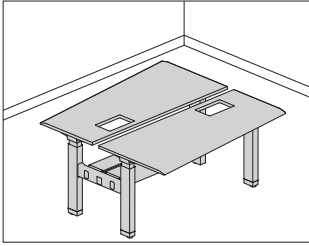
HF	inner tone light A	+\$0
HM	natural maple A	+\$0
HP	light anigre A	+\$0
HT	inner tone A	+\$0
HX	aged cherry A	+\$0
HY	walnut on cherry A	+\$0
JB	millwork cherry A	+\$0
LA	light ash A	+\$0
LBA	clear on ash A	+\$0
LBB	oak on ash A	+\$0
LBC	walnut on ash A	+\$0
LBD	dark brown walnut A	+\$0
LBE	medium red walnut A	+\$0
LBF	neutral twill A	+\$0
LBG	sarum twill A	+\$0
LBH	earthen twill A	+\$0
LBJ	graphite twill A	+\$0
LBK	pewter mesh A	+\$0
LBL	steel mesh A	+\$0
LBM	crisp linen A	+\$0
LBN	classic linen A	+\$0
LBP	casual linen A	+\$0
LBQ	white twill A	+\$0
LG	light grey (discontinuing) A	+\$0
LM	mahogany A	+\$0
LT	light tone A	+\$0
LU	soft white A	+\$0
MT	medium tone A	+\$0
N3	cool grey A	+\$0
OG	honey maple A	+\$0
SG	slate grey A	+\$0
WA	wheat A	+\$0
WL	sandstone A	+\$0
WN	warm grey neutral A	+\$0
X1	chalk white A	+\$0

Step 14. Base Finish

8Q	folkstone grey A	+\$0
91	white A	+\$0
98	studio white A	+\$0
G2	graphite satin A	+\$0
WL	sandstone A	+\$0
WN	warm grey neutral A	+\$0
CN	metallic champagne A	+\$0
MS	metallic silver A	+\$50

Back to Back Trapezoid Height Adjustable Bench

DU2TE.
DU2TS.
DU2TT.



Product Information

Description

This bench is a 2 workstation unit that can be used in back to back height adjustable benching applications in series with other Renew™ Link back to back benches to create a run. The trapezoid shape creates individual and group work environments within a traditional benching application. Each workstation has a C-leg configuration, comes in multiple edge styles, and has options for laminate top with thermoplastic edge, laminate top with a thermoplastic backed plywood edge, veneer top and edge, or painted Formcoat® top and edge. There are multiple height adjustment, wire management, and switch options. Glides have 1/2" of leveling adjustment. Shipped knocked down. Product is UL Listed.

Each table can be specified with a different height adjustment mechanism. Floor to top of surface height adjustment ranges are 27"-46" for the electric standard range (E) option, 22"-48" for the electric extended range (D) option, and 28 1/2" for the fixed height table (F).

Notes

To power bench applications, specify Connect™ separately. See planning guide for details.

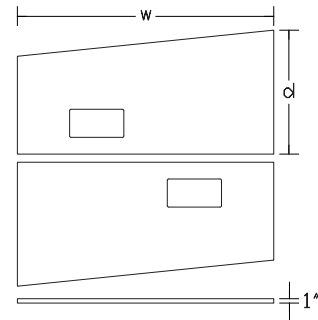
Simple cable cover (PSC) is facility installed only.

High density cable trough (PHD) can be accessed by users for daily cord management. Available on 30" deep tables only.

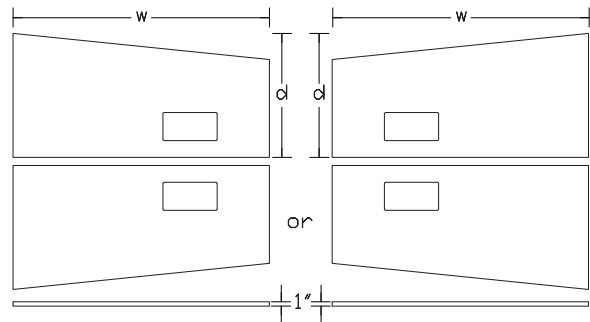
Power access cutouts are specifically sized for 5 wide and 6 wide Logic G1000 grommet mounted electrical distributors (Y1425.).

Renew™ Link

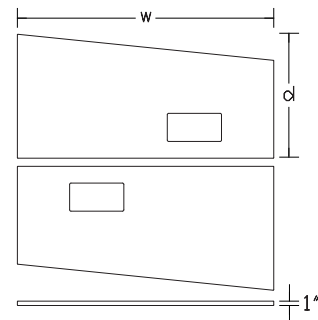
Dimensions



Left Hand/Left Hand



Left Hand/Right Hand



Right Hand/Right Hand

Back to Back Trapezoid Height Adjustable Bench *continued*

Specification Information	
Step 1.	
DU2T A	
Step 2. Edge	
S.	squared-edge A
T.	thin-edge A
E.	eased-edge A
Step 3. Width	
48	48" wide (47" surface size) A
54	54" wide (53" surface size) A
60	60" wide (59" surface size) A
66	66" wide (65" surface size) A
72	72" wide (71" surface size) A
Step 4. Surface Material	
<i>For squared-edge (S.)</i>	
L	lamine top/thermoplastic edge A
W	veneer top/veneer edge A
P	painted Formcoat® top/edge A
<i>For thin-edge (T.)</i>	
L	lamine top/thermoplastic edge A
W	veneer top/veneer edge A
P	painted Formcoat® top/edge A
<i>For eased-edge (E.)</i>	
P	painted Formcoat® top/edge A
Step 5. Height Adjustable Table 1	
E	electric standard range A
D	electric extended range A
F	fixed table A
Step 6. Height Adjustable Table 2	
<i>For electric standard range (E)</i>	
E	electric standard range A
D	electric extended range A
F	fixed table A
<i>For electric extended range (D)</i>	
D	electric extended range A
F	fixed table A

<i>For fixed table (F)</i>							
F	fixed table A						
Step 7. Trapezoid Configuration							
A	left hand/left hand A						
B	left hand/right hand A						
C	right hand/right hand A						
Prices for Steps 1-7.							
		EEA	EEB	EEC	EDA	EDB	EDC
DU2TS. 48	L	\$6321	6321	6321	7828	7828	7828
	W	\$7586	7586	7586	9394	9394	9394
	P	\$6575	6575	6575	8142	8142	8142
	54						
	L	\$6421	6421	6421	7991	7991	7991
	W	\$7705	7705	7705	9589	9589	9589
	P	\$6678	6678	6678	8311	8311	8311
	60						
	L	\$6510	6510	6510	8138	8138	8138
	W	\$7812	7812	7812	9765	9765	9765
	P	\$6771	6771	6771	8463	8463	8463
	66						
	L	\$6615	6615	6615	8316	8316	8316
	W	\$7938	7938	7938	9980	9980	9980
	P	\$6880	6880	6880	8649	8649	8649
	72						
	L	\$6710	6710	6710	8484	8484	8484
	W	\$8052	8052	8052	10181	10181	10181
	P	\$6979	6979	6979	8825	8825	8825
		EFA	EFB	EFC	DDA	ddb	DDC
DU2TS. 48	L	\$5166	5166	5166	9330	9330	9330
	W	\$6431	6431	6431	11196	11196	11196
	P	\$5420	5420	5420	9704	9704	9704
	54						
	L	\$5266	5266	5266	9555	9555	9555
	W	\$6550	6550	6550	11466	11466	11466
	P	\$5523	5523	5523	9938	9938	9938
	60						
	L	\$5355	5355	5355	9765	9765	9765
	W	\$6657	6657	6657	11718	11718	11718
	P	\$5616	5616	5616	10156	10156	10156
	66						
	L	\$5460	5460	5460	10017	10017	10017
	W	\$6783	6783	6783	12021	12021	12021
	P	\$5725	5725	5725	10419	10419	10419
	72						
	L	\$5555	5555	5555	10254	10254	10254
	W	\$6897	6897	6897	12304	12304	12304
	P	\$5824	5824	5824	10664	10664	10664
		DFA	DFB	DFC	FFA	FFB	FFC
DU2TS. 48	L	\$8175	8175	8175	4011	4011	4011
	W	\$10041	10041	10041	5276	5276	5276
	P	\$8549	8549	8549	4265	4265	4265

Renew™ Link

Back to Back Trapezoid Height Adjustable Bench *continued*

Renew™ Link

54 L	\$8400	8400	8400	4111	4111	4111
W	\$10311	10311	10311	5395	5395	5395
P	\$8783	8783	8783	4368	4368	4368
60 L	\$8610	8610	8610	4200	4200	4200
W	\$10563	10563	10563	5502	5502	5502
P	\$9001	9001	9001	4461	4461	4461
66 L	\$8862	8862	8862	4305	4305	4305
W	\$10866	10866	10866	5628	5628	5628
P	\$9264	9264	9264	4570	4570	4570
72 L	\$9099	9099	9099	4400	4400	4400
W	\$11149	11149	11149	5742	5742	5742
P	\$9509	9509	9509	4669	4669	4669
	EEA	EEB	EEC	EDA	EDB	EDC
DU2TT. 48 L	\$6859	6859	6859	8494	8494	8494
W	\$8231	8231	8231	10193	10193	10193
P	\$7134	7134	7134	8834	8834	8834
54 L	\$6967	6967	6967	8670	8670	8670
W	\$8361	8361	8361	10405	10405	10405
P	\$7247	7247	7247	9018	9018	9018
60 L	\$7064	7064	7064	8830	8830	8830
W	\$8477	8477	8477	10596	10596	10596
P	\$7347	7347	7347	9184	9184	9184
66 L	\$7178	7178	7178	9024	9024	9024
W	\$8615	8615	8615	10829	10829	10829
P	\$7466	7466	7466	9385	9385	9385
72 L	\$7281	7281	7281	9206	9206	9206
W	\$8738	8738	8738	11048	11048	11048
P	\$7573	7573	7573	9574	9574	9574
	EFA	EFB	EFC	DDA	DDB	DDC
DU2TT. 48 L	\$5704	5704	5704	10124	10124	10124
W	\$7076	7076	7076	12149	12149	12149
P	\$5979	5979	5979	10529	10529	10529
54 L	\$5812	5812	5812	10368	10368	10368
W	\$7206	7206	7206	12442	12442	12442
P	\$6092	6092	6092	10783	10783	10783
60 L	\$5909	5909	5909	10596	10596	10596
W	\$7322	7322	7322	12716	12716	12716
P	\$6192	6192	6192	11020	11020	11020
66 L	\$6023	6023	6023	10869	10869	10869
W	\$7460	7460	7460	13044	13044	13044
P	\$6311	6311	6311	11305	11305	11305
72 L	\$6126	6126	6126	11126	11126	11126
W	\$7583	7583	7583	13352	13352	13352
P	\$6418	6418	6418	11571	11571	11571

	DFA	DFB	DFC	FFA	FFB	FFC
DU2TT. 48 L	\$8969	8969	8969	4549	4549	4549
W	\$10994	10994	10994	5921	5921	5921
P	\$9374	9374	9374	4824	4824	4824
54 L	\$9213	9213	9213	4657	4657	4657
W	\$11287	11287	11287	6051	6051	6051
P	\$9628	9628	9628	4937	4937	4937
60 L	\$9441	9441	9441	4754	4754	4754
W	\$11561	11561	11561	6167	6167	6167
P	\$9865	9865	9865	5037	5037	5037
66 L	\$9714	9714	9714	4868	4868	4868
W	\$11889	11889	11889	6305	6305	6305
P	\$10150	10150	10150	5156	5156	5156
72 L	\$9971	9971	9971	4971	4971	4971
W	\$12197	12197	12197	6428	6428	6428
P	\$10416	10416	10416	5263	5263	5263
	EEA	EEB	EEC	EDA	EDB	EDC
DU2TE. 48 P	\$6904	6904	6904	8550	8550	8550
54 P	\$7012	7012	7012	8727	8727	8727
60 P	\$7110	7110	7110	8887	8887	8887
66 P	\$7224	7224	7224	9082	9082	9082
72 P	\$7328	7328	7328	9267	9267	9267
	EFA	EFB	EFC	DDA	DDB	DDC
DU2TE. 48 P	\$5749	5749	5749	10190	10190	10190
54 P	\$5857	5857	5857	10435	10435	10435
60 P	\$5955	5955	5955	10664	10664	10664
66 P	\$6069	6069	6069	10940	10940	10940
72 P	\$6173	6173	6173	11198	11198	11198
	DFA	DFB	DFC	FFA	FFB	FFC
DU2TE. 48 P	\$9035	9035	9035	4594	4594	4594
54 P	\$9280	9280	9280	4702	4702	4702
60 P	\$9509	9509	9509	4800	4800	4800
66 P	\$9785	9785	9785	4914	4914	4914
72 P	\$10043	10043	10043	5018	5018	5018

Step 8. Central Cable Trough

ECT enhanced cable trough w/ covers - data/power routing and cord management **A** +\$0

Step 9. Switch Option

For fixed table (F) with fixed table (F)

SNN no control **A** +\$0

Back to Back Trapezoid Height Adjustable Bench *continued*

For electric standard range (E) AND electric extended range (D)

		E	D	F
SUD	simple up down A	+\$0	0	0
SRM	digital read out with memory A	+\$160	320	320

Step 10. Workstation Cord Cover/Cable Management Table 1 and 2

PSC	simple cable A			+\$0
PHD	high density cable trough A			+\$299

Step 11. Power Access Cutout - Table 1 and 2

For 48" wide (47" surface size) (48), 54" wide (53" surface size) (54), 60" wide (59" surface size) (60), 66" wide (65" surface size) (66), or 72" wide (71" surface size) (72) with simple cable (PSC), or high density cable trough (PHD)

NNN	no cutout A			+\$0
------------	-----------------------------	--	--	------

For 54" wide (53" surface size) (54), 60" wide (59" surface size) (60), 66" wide (65" surface size) (66), or 72" wide (71" surface size) (72) with high density cable trough (PHD)

NNN	no cutout A			+\$0
OAC	offset center cutout for 6 port Y1425 A			+\$45
OC5	offset center cutout for 5 port Y1425 A			+\$45

Step 12.

Top Finish

For laminate top/thermoplastic edge (L)

76	light brown walnut A	+\$0
8Q	folkstone grey A	+\$0
91	white A	+\$0
98	studio white A	+\$0
CL	cool grey neutral A	+\$0
HF	inner tone light A	+\$0
HM	natural maple A	+\$0
HP	light anigre A	+\$0
HT	inner tone A	+\$0
HX	aged cherry A	+\$0
HY	walnut on cherry A	+\$0
LA	light ash A	+\$0
LBA	clear on ash A	+\$0
LBB	oak on ash A	+\$0
LBC	walnut on ash A	+\$0
LBD	dark brown walnut A	+\$0
LBE	medium red walnut A	+\$0
LBF	neutral twill A	+\$0
LBG	sarum twill A	+\$0
LBH	earthen twill A	+\$0
LBJ	graphite twill A	+\$0
LBK	pewter mesh A	+\$0
LBL	steel mesh A	+\$0
LBM	crisp linen A	+\$0
LBN	classic linen A	+\$0
LBP	casual linen A	+\$0
LBQ	white twill A	+\$0
LU	soft white A	+\$0
WL	sandstone A	+\$0
WN	warm grey neutral A	+\$0

Top/Edge Finish

For veneer top/veneer edge (W)

2U	light brown walnut A	+\$170
40	dark brown walnut A	+\$170
ED	aged cherry A	+\$170
EK	medium red walnut A	+\$170
ET	clear on ash A	+\$170
EU	oak on ash A	+\$170
EV	walnut on ash A	+\$170
UL	natural maple A	+\$170
UX	walnut on cherry A	+\$170

Renew™ Link

Back to Back Trapezoid Height Adjustable Bench *continued*

Top/Edge Finish		
<i>For painted Formcoat® top/edge (P)</i>		
8Q	folkstone grey <input type="checkbox"/>	+\$0
91	white <input type="checkbox"/>	+\$0
CL	cool grey neutral <input type="checkbox"/>	+\$0
LU	soft white <input type="checkbox"/>	+\$0
WL	sandstone <input type="checkbox"/>	+\$0
WN	warm grey neutral <input type="checkbox"/>	+\$0

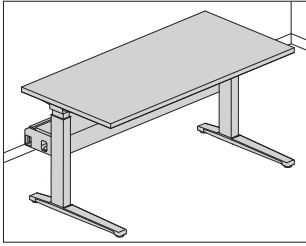
Step 13. Edge Finish		
<i>For laminate top/thermoplastic edge (L)</i>		
76	light brown walnut <input type="checkbox"/>	+\$0
8Q	folkstone grey <input type="checkbox"/>	+\$0
91	white <input type="checkbox"/>	+\$0
98	studio white <input type="checkbox"/>	+\$0
CL	cool grey neutral <input type="checkbox"/>	+\$0
HF	inner tone light <input type="checkbox"/>	+\$0
HM	natural maple <input type="checkbox"/>	+\$0
HP	light anigre <input type="checkbox"/>	+\$0
HT	inner tone <input type="checkbox"/>	+\$0
HX	aged cherry <input type="checkbox"/>	+\$0
HY	walnut on cherry <input type="checkbox"/>	+\$0
LA	light ash <input type="checkbox"/>	+\$0
LBA	clear on ash <input type="checkbox"/>	+\$0
LBB	oak on ash <input type="checkbox"/>	+\$0
LBC	walnut on ash <input type="checkbox"/>	+\$0
LBD	dark brown walnut <input type="checkbox"/>	+\$0
LBE	medium red walnut <input type="checkbox"/>	+\$0
LBF	neutral twill <input type="checkbox"/>	+\$0
LBG	sarum twill <input type="checkbox"/>	+\$0
LBH	earthen twill <input type="checkbox"/>	+\$0
LBJ	graphite twill <input type="checkbox"/>	+\$0
LBK	pewter mesh <input type="checkbox"/>	+\$0
LBL	steel mesh <input type="checkbox"/>	+\$0
LBM	crisp linen <input type="checkbox"/>	+\$0
LBN	classic linen <input type="checkbox"/>	+\$0
LBP	casual linen <input type="checkbox"/>	+\$0
LBQ	white twill <input type="checkbox"/>	+\$0
LU	soft white <input type="checkbox"/>	+\$0
WL	sandstone <input type="checkbox"/>	+\$0
WN	warm grey neutral <input type="checkbox"/>	+\$0

Step 14. Base Finish		
8Q	folkstone grey <input type="checkbox"/>	+\$0
91	white <input type="checkbox"/>	+\$0
98	studio white <input type="checkbox"/>	+\$0
G2	graphite satin <input type="checkbox"/>	+\$0
WL	sandstone <input type="checkbox"/>	+\$0
WN	warm grey neutral <input type="checkbox"/>	+\$0
CN	metallic champagne <input type="checkbox"/>	+\$0
MS	metallic silver <input type="checkbox"/>	+\$50

Renew™ Link

Single Sided Rectangular Height Adjustable Bench

DU1AE.
DU1AS.
DU1AT.



Product Information

Description

This rectangular single sided bench is a 1 workstation unit that can be used in single sided height adjustable benching applications in series with other Renew™ Link single sided benches to create a run. Each workstation has a C-leg configuration, comes in multiple edge styles, and has options for laminate top with thermoplastic edge, laminate top with a thermoplastic backed plywood edge, veneer top and edge, or painted Formcoat® top and edge. There are multiple height adjustment, wire management, and switch options. Glides have 1/2" of leveling adjustment. Shipped knocked down. Product is UL Listed.

Each table can be specified with a different height adjustment mechanism. Floor to top of surface height adjustment ranges are 27"-46" for the electric standard range (E) option, 22"-48" for the electric extended range (D) option, and 28 1/2" for the fixed height table (F).

Notes

To power bench applications, specify Connect™ separately. See planning guide for details.

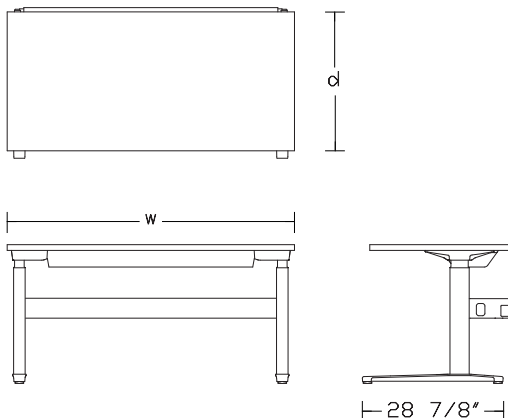
Sizes listed for table depth and width are nominal. Depth of surface is reduced 1" for cord management. Width of surface is reduced 1" to minimize possible pinch point hazards between benches.

Simple cable cover (PSC) is facility installed only.

High density cable trough (PHD) can be accessed by users for daily cord management. Available on 30" deep tables only.

Power access cutouts are specifically sized for 5 wide and 6 wide Logic G1000 grommet mounted electrical distributors (Y1425.).

Dimensions



Specification Information

Step 1.

DU1A A

Step 2. Edge

- S.** squared-edge A
- T.** thin-edge A
- E.** eased-edge A

Step 3. Depth

- 24** 24" deep (23" surface size) A
- 30** 30" deep (29" surface size) A

Step 4. Width

- 48** 48" wide (47" surface size) A
- 54** 54" wide (53" surface size) A
- 60** 60" wide (59" surface size) A
- 66** 66" wide (65" surface size) A
- 72** 72" wide (71" surface size) A

Step 5. Surface Material

For squared-edge (S.)

- L** laminate top/thermoplastic edge A
- W** veneer top/veneer edge A
- P** painted Formcoat® top/edge A

For thin-edge (T.)

- L** laminate top/thermoplastic edge A
- W** veneer top/veneer edge A
- P** painted Formcoat® top/edge A

For eased-edge (E.)

- P** painted Formcoat® top/edge A

Step 6. Height Adjustment

- E** electric standard range A
- D** electric extended range A
- F** fixed table A

Prices for Steps 1-6.

	LE	LD	LF	WE	WD	WF
DU1AS.24 48	\$3337	4006	2237	4005	4806	2905
54	\$3390	4068	2290	4068	4882	2968
60	\$3440	4128	2340	4128	4954	3028
66	\$3496	4295	2396	4196	5035	3096
72	\$3545	4254	2445	4254	5105	3154

Single Sided Rectangular Height Adjustable Bench *continued*

Renew™ Link

30 48	\$3395	4074	2295	4074	4889	2974
54	\$3455	4146	2355	4146	4976	3046
60	\$3500	4200	2400	4200	5040	3100
66	\$3555	4266	2455	4266	5120	3166
72	\$3605	4326	2505	4326	5192	3226

				PE	PD	PF
DU1AS.24 48				\$3471	4165	2371
54				\$3526	4231	2426
60				\$3578	4294	2478
66				\$3636	4364	2536
72				\$3687	4425	2587

30 48				\$3531	4237	2431
54				\$3594	4312	2494
60				\$3640	4368	2540
66				\$3698	4437	2598
72				\$3750	4500	2650

		LE	LD	LF	WE	WD	WF
DU1AT.24 48		\$3621	4345	2521	4346	5214	3246
54		\$3679	4414	2579	4415	5297	3315
60		\$3733	4479	2633	4480	5375	3380
66		\$3794	4552	2694	4553	5463	3453
72		\$3847	4616	2747	4617	5540	3517

30 48		\$3684	4421	2584	4421	5306	3321
54		\$3749	4499	2649	4499	5399	3399
60		\$3798	4557	2698	4558	5469	3458
66		\$3858	4629	2758	4630	5555	3530
72		\$3912	4694	2812	4695	5633	3595

				PE	PD	PF
DU1AT.24 48				\$3766	4519	2666
54				\$3827	4591	2727
60				\$3883	4659	2783
66				\$3946	4735	2846
72				\$4001	4801	2901

30 48				\$3832	4598	2732
54				\$3899	4679	2799
60				\$3950	4740	2850
66				\$4013	4815	2913
72				\$4069	4882	2969

			PE	PD	PF
DU1AE.24 48			\$3645	4374	2545
54			\$3703	4443	2603
60			\$3757	4509	2657
66			\$3818	4583	2718
72			\$3872	4647	2772
30 48			\$3708	4449	2608
54			\$3774	4528	2674
60			\$3822	4587	2722
66			\$3883	4659	2783
72			\$3938	4725	2838

Step 7. Central Cable Trough

ECT	enhanced cable trough w/ covers - data/power routing and cord management A	+\$0
------------	--	------

Step 8. Switch Option

For electric standard range (E) or electric extended range (D)

SUD	simple up down A	+\$0
SRM	digital read out with memory A	+\$160

For fixed table (F)

SNN	no control A	+\$0
------------	------------------------------	------

Step 9. Workstation Cord Cover/Cable Management

For 24" deep (23" surface size) (24)

PSC	simple cable A	+\$0
------------	--------------------------------	------

For 30" deep (29" surface size) (30)

PSC	simple cable A	+\$0
PHD	high density cable trough A	+\$299

Step 10. Power Access Cutout - Table 1 and 2

NNN	no cutout A	+\$0
------------	-----------------------------	------

For 30" deep (29" surface size) (30) with 54" wide (53" surface size) (54) with high density cable trough (PHD)

NNN	no cutout A	+\$0
LAC	left cutout 6 port Y1425 A	+\$45
RAC	right cutout 6 port Y1425 A	+\$45
LC5	left cutout 5 port Y1425 A	+\$45
RC5	right cutout 5 port Y1425 A	+\$45

Single Sided Rectangular Height Adjustable Bench *continued*

For 30" deep (29" surface size) (30) with 60" wide (59" surface size) (60), or 66" wide (65" surface size) (66), or 72" wide (71" surface size) (72) with high density cable trough (PHD)

NNN	no cutout A	+\$0
LAC	left cutout A	+\$45
RAC	right cutout A	+\$45
CAC	center cutout A	+\$45
LC5	left cutout 5 port Y1425 A	+\$45
RC5	right cutout 5 port Y1425 A	+\$45
CC5	center cutout 5 port Y1425 A	+\$45

Step 11.

Top Finish

For laminate top/thermoplastic edge (L)

76	light brown walnut A	+\$0
8Q	folkstone grey A	+\$0
91	white A	+\$0
98	studio white A	+\$0
CL	cool grey neutral A	+\$0
HF	inner tone light A	+\$0
HM	natural maple A	+\$0
HP	light anigre A	+\$0
HT	inner tone A	+\$0
HX	aged cherry A	+\$0
HY	walnut on cherry A	+\$0
LA	light ash A	+\$0
LBA	clear on ash A	+\$0
LBB	oak on ash A	+\$0
LBC	walnut on ash A	+\$0
LBD	dark brown walnut A	+\$0
LBE	medium red walnut A	+\$0
LBF	neutral twill A	+\$0
LBG	sarum twill A	+\$0
LBH	earthen twill A	+\$0
LBJ	graphite twill A	+\$0
LBK	pewter mesh A	+\$0
LBL	steel mesh A	+\$0
LBM	crisp linen A	+\$0
LBN	classic linen A	+\$0
LBP	casual linen A	+\$0
LBQ	white twill A	+\$0
LU	soft white A	+\$0
WL	sandstone A	+\$0
WN	warm grey neutral A	+\$0

Top/Edge Finish

For veneer top/veneer edge (W)

2U	light brown walnut A	+\$85
40	dark brown walnut A	+\$85
ED	aged cherry A	+\$85
EK	medium red walnut A	+\$85
ET	clear on ash A	+\$85
EU	oak on ash A	+\$85
EV	walnut on ash A	+\$85
UL	natural maple A	+\$85
UX	walnut on cherry A	+\$85

Top/Edge Finish

For painted Formcoat® top/edge (P)

8Q	folkstone grey A	+\$0
91	white A	+\$0
CL	cool grey neutral A	+\$0
LU	soft white A	+\$0
WL	sandstone A	+\$0
WN	warm grey neutral A	+\$0

Renew™ Link

Single Sided Rectangular Height Adjustable Bench *continued*

Renew™ Link

Step 12. Edge Finish

For laminate top/thermoplastic edge (L)

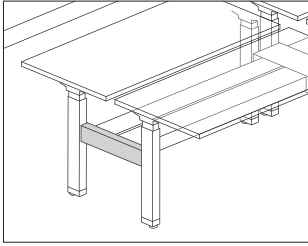
76	light brown walnut <input type="checkbox"/>	+\$0
8Q	folkstone grey <input type="checkbox"/>	+\$0
91	white <input type="checkbox"/>	+\$0
98	studio white <input type="checkbox"/>	+\$0
CL	cool grey neutral <input type="checkbox"/>	+\$0
HF	inner tone light <input type="checkbox"/>	+\$0
HM	natural maple <input type="checkbox"/>	+\$0
HP	light anigre <input type="checkbox"/>	+\$0
HT	inner tone <input type="checkbox"/>	+\$0
HX	aged cherry <input type="checkbox"/>	+\$0
HY	walnut on cherry <input type="checkbox"/>	+\$0
LA	light ash <input type="checkbox"/>	+\$0
LBA	clear on ash <input type="checkbox"/>	+\$0
LBB	oak on ash <input type="checkbox"/>	+\$0
LBC	walnut on ash <input type="checkbox"/>	+\$0
LBD	dark brown walnut <input type="checkbox"/>	+\$0
LBE	medium red walnut <input type="checkbox"/>	+\$0
LBF	neutral twill <input type="checkbox"/>	+\$0
LBG	sarum twill <input type="checkbox"/>	+\$0
LBH	earthen twill <input type="checkbox"/>	+\$0
LBJ	graphite twill <input type="checkbox"/>	+\$0
LBK	pewter mesh <input type="checkbox"/>	+\$0
LBL	steel mesh <input type="checkbox"/>	+\$0
LBM	crisp linen <input type="checkbox"/>	+\$0
LBN	classic linen <input type="checkbox"/>	+\$0
LBP	casual linen <input type="checkbox"/>	+\$0
LBQ	white twill <input type="checkbox"/>	+\$0
LU	soft white <input type="checkbox"/>	+\$0
WL	sandstone <input type="checkbox"/>	+\$0
WN	warm grey neutral <input type="checkbox"/>	+\$0

Step 13. Base Finish

8Q	folkstone grey <input type="checkbox"/>	+\$0
91	white <input type="checkbox"/>	+\$0
98	studio white <input type="checkbox"/>	+\$0
G2	graphite satin <input type="checkbox"/>	+\$0
WL	sandstone <input type="checkbox"/>	+\$0
WN	warm grey neutral <input type="checkbox"/>	+\$0
CN	metallic champagne <input type="checkbox"/>	+\$0
MS	metallic silver <input type="checkbox"/>	+\$20

Bench Cover Plate - End Caps

DU4B.
DU4S.



Product Information

Description

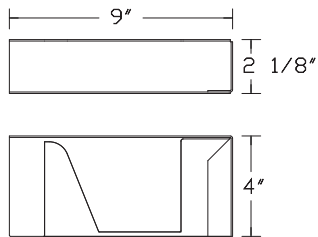
These cover plates create a clean and finished aesthetic at the end of runs. Finishes are available to match the base finishes of Renew™ Link benches. Package contains 2 end caps. Product is UL Listed.

Notes

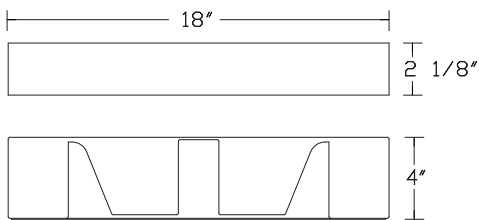
For single sided bench runs, specify single sided (DU4S.EC). For back to back bench runs, specify back to back (DU4B.EC).

Only 1 set of end caps needed per run. End caps are placed on each end of the run.

Dimensions



Single Sided



Back to Back

Specification Information

Step 1.

DU4

Step 2. Single Sided or Back to Back

S. single sided

B. back to back

Step 3. Connecting Plate or End Cap

EC end cap - 2 per box

Prices for Steps 1-3.

DU4S. EC \$85

DU4B. EC \$95

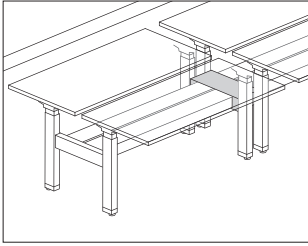
Step 4. Finish

8Q	folkstone grey	+\$0
91	white <input type="checkbox"/>	+\$0
98	studio white	+\$0
G2	graphite satin <input type="checkbox"/>	+\$0
WL	sandstone	+\$0
WN	warm grey neutral <input type="checkbox"/>	+\$0
CN	metallic champagne <input type="checkbox"/>	+\$20
MS	metallic silver <input type="checkbox"/>	+\$20

Renew™ Link

Bench Cover Plate - Connecting Plate

DU4B.
DU4S.



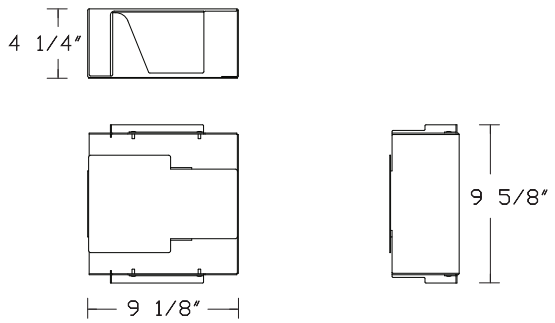
Renew™ Link

Product Information

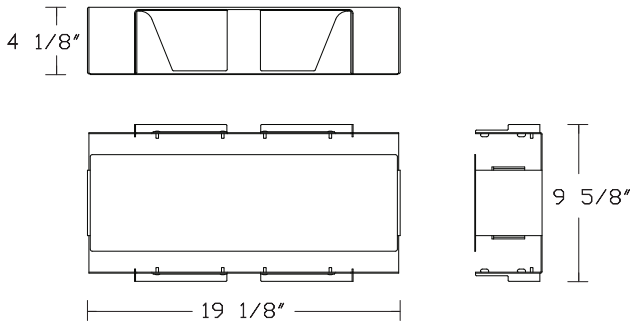
Description
These cover plates create a clean and finished aesthetic where bench sections come together. Finishes are available to match the base finishes of Renew™ Link benches. Connecting plates come 1 per package. Product is UL Listed.

Notes
For single sided bench runs, specify single sided (DU4S.CP). For back to back bench runs, specify back to back (DU4B.CP).
Connecting plates are required to connect 1 bench section to another section. The number of connecting plates needed in a run is 1 less than the number of bench sections in the run.

Dimensions



Single Sided



Back to Back

Specification Information

Step 1.

DU4

Step 2. Single Sided or Back to Back

- S.** single sided
- B.** back to back

Step 3. Connecting Plate or End Cap

CP connecting plate (between tables) 1x box

Prices for Steps 1-3.

DU4S. CP \$120

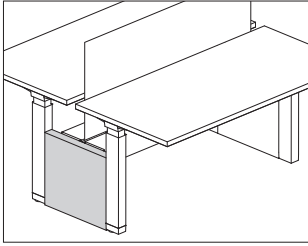
DU4B. CP \$130

Step 4. Finish

- 8Q** folkstone grey +\$0
- 91** white +\$0
- 98** studio white +\$0
- CN** metallic champagne +\$20
- G2** graphite satin +\$0
- WL** sandstone +\$0
- WN** warm grey neutral +\$0
- MS** metallic silver +\$20

Renew™ Link Back-to-Back Leg Shroud

DU4C.



Product Information

Description

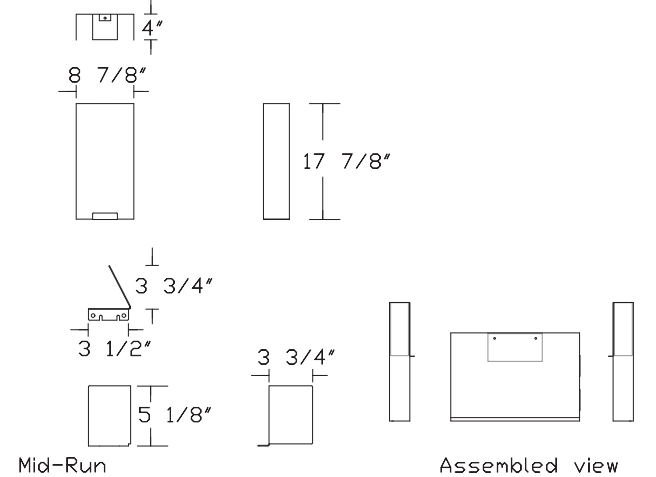
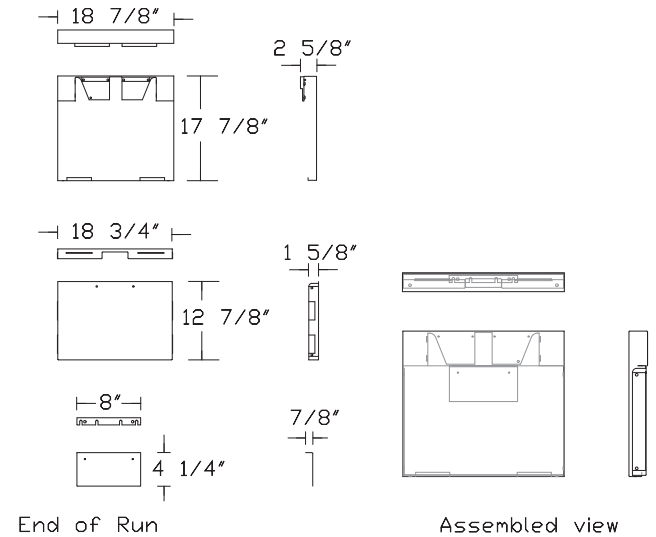
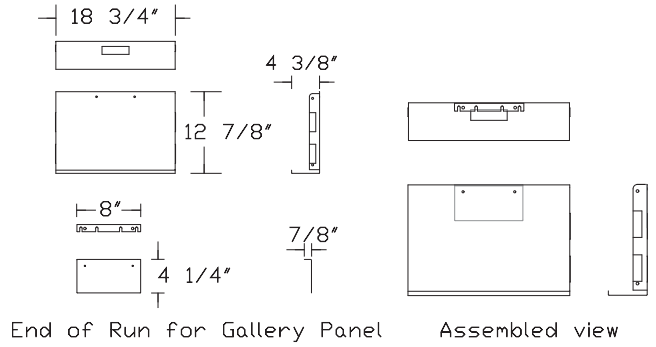
This metal shroud covers and wraps around the legs of Renew™ Link back-to-back units to create a unified and integrated leg aesthetic.

Notes

To add shrouds to each end of a run, a quantity of 2 end-of-run shrouds must be ordered.

To add shrouds mid run, a quantity of 1 mid-run shrouds must be ordered for each connection point.

Dimensions



Renew™ Link

Renew™ Link Back-to-Back Leg Shroud *continued*

Renew™ Link

Specification Information

Step 1.

DU4C. A

Step 2. Location

EG end of run for gallery panel A

ER end of run A

MR mid run A

Step 3. Material

P painted steel A

Prices for Steps 1-3.

	P
DU4C. EG	\$155
ER	\$190
MR	\$310

Step 4. Height Range of Tables

For mid run (MR)

D extended A +\$0

E standard and fixed A +\$0

For end of run for gallery panel (EG) or end of run (ER)

N extended/standard/fixed A +\$0

Step 5. Finish

8Q folkstone grey +\$0

91 white A +\$0

98 studio white +\$0

G2 graphite satin A +\$0

WL sandstone +\$0

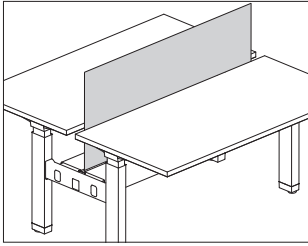
WN warm grey neutral A +\$0

CN metallic champagne A +\$20

MS metallic silver A +\$20

Screen, Trough Mounted

DU8A.
DU8F.
DU8G.
DU8L.



Product Information

Description

This screen provides privacy between workstations and can create privacy and boundary from adjacent work areas. Installed height of all screen tops is 46". Screens are acrylic, tackable fabric, laminate, or glass. Attachment hardware included.

Notes

Finishes available for acrylic screen hardware to match base finish of Renew™ Link benches.

Back to back screen (BB) to be used with back to back bench applications.

Gallery screens (BG, SG) to be used on the end of back to back or single sided bench applications, respectively, and in conjunction with end of run gallery panels (DUgR.).

For use with boundary gallery panel (DUgB.) in single sided applications, specify single sided boundary gallery screen (SG).

Screen accepts Customer's Own Material (COM). Yardage is estimated for nondirectional 54"-wide fabrics.

For vertical fabric direction (T):

Application-Width—Yardage

SG24—1.45

SG30—1.45

SB48—1.45

BG48—1.45

BB48—2.14

For horizontal fabric direction (R):

Application-Width—Yardage

SG24—0.97

SG30—1.14

SB48—1.71

SB54—1.90

SB60—2.07

SB66—2.27

SB72—2.46

BG48—1.71

BG60—2.07

BB48—3.15

BB54—3.52

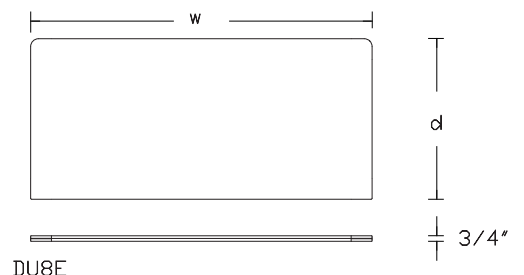
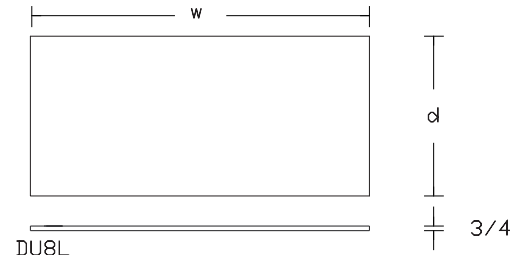
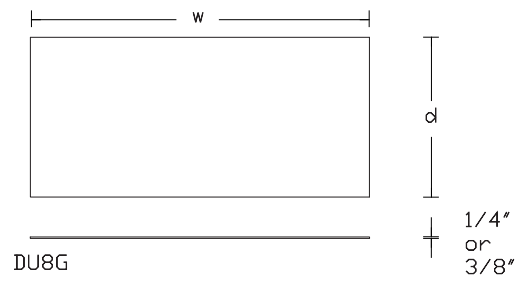
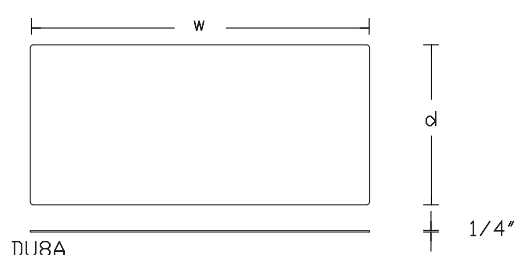
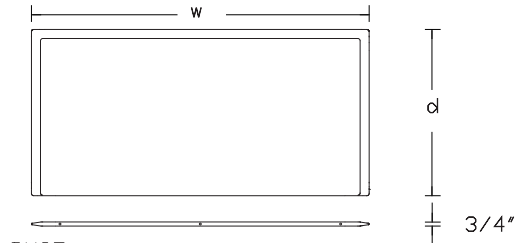
BB60—3.91

BB66—4.28

BB72—4.67

For information on multiple quantities or directional fabrics, contact COM Department. See Order Information in Appendices.

Dimensions



Renew™ Link

Specification Information	
Step 1.	
DU8	A
Step 2. Edge	
F.	Pari fabric screen A
A.	acrylic A
G.	glass A
L.	laminate A
Step 3. Application	
<i>For Pari fabric screen (F.)</i>	
SG	single side gallery A
SB	single side boundary A
BG	back to back gallery A
BB	back to back A
<i>For acrylic (A.)</i>	
BB	back to back A
<i>For glass (G.) or laminate (L.)</i>	
BB	back to back A
Step 4. Width	
<i>For single side gallery (SG)</i>	
24	24" wide A
30	30" wide A
<i>For single side boundary (SB)</i>	
48	48" wide A
54	54" wide A
60	60" wide A
66	66" wide A
72	72" wide A
<i>For back to back gallery (BG)</i>	
48	48" wide A
60	60" wide A
<i>For back to back (BB)</i>	
48	48" wide A
54	54" wide A
60	60" wide A
66	66" wide A
72	72" wide A

Step 5. Surface Material	
<i>For Pari fabric screen (F.) with 24" wide (24), 48" wide (48), or 30" wide (30)</i>	
T	tackable fabric A
R	tackable fabric, horizontal A
<i>For Pari fabric screen (F.) with 54" wide (54), 60" wide (60), 66" wide (66), or 72" wide (72)</i>	
R	tackable fabric, horizontal A
<i>For acrylic (A.)</i>	
J9	acrylic glaze A
<i>For glass (G.)</i>	
5A	opal glazed - 1/4" thick A
C3	clear glass - 3/8" thick A
G3	opal glass - 3/8" thick A
N3	no glass- for customer's own glass 3/8" A
NN	no glass- for customer's own glass 1/4" A
TR	clear glass - 1/4" thick A
<i>For laminate (L.)</i>	
L	laminate/thermoplastic edge A
U	laminate/universal edge A

Prices for Steps 1-5.							
		5A	J9	L	T	C3	R
DU8F.	SG 24	—	—	—	\$500	—	500
	30	—	—	—	\$700	—	700
	SB 48	—	—	—	\$750	—	750
	54	—	—	—	—	—	\$800
	60	—	—	—	—	—	\$850
	66	—	—	—	—	—	\$900
	72	—	—	—	—	—	\$1000
	BG 48	—	—	—	\$750	—	750
	60	—	—	—	—	—	\$800
	BB 48	—	—	—	\$1200	—	1200
	54	—	—	—	—	—	\$1275
	60	—	—	—	—	—	\$1350
	66	—	—	—	—	—	\$1425
	72	—	—	—	—	—	\$1500

Screen, Trough Mounted *continued*

	5A	J9	L	T	C3	R
DU8A. BB 48	—	\$930	—	—	—	—
54	—	\$1040	—	—	—	—
60	—	\$1150	—	—	—	—
66	—	\$1270	—	—	—	—
72	—	\$1380	—	—	—	—

	5A	J9	L	T	C3	R
DU8G. BB 48	\$850	—	—	—	1150	—
54	\$975	—	—	—	1325	—
60	\$1100	—	—	—	1525	—
66	\$1225	—	—	—	1725	—
72	\$1350	—	—	—	1900	—

	U	G3	N3	NN	TR
DU8G. BB 48	—	\$1500	250	250	700
54	—	\$1600	263	263	825
60	—	\$1675	275	275	950
66	—	\$1875	293	293	1075
72	—	\$2050	310	310	1200

	5A	J9	L	T	C3	R
DU8L. BB 48	—	—	\$555	—	—	—
54	—	—	\$580	—	—	—
60	—	—	\$605	—	—	—
66	—	—	\$660	—	—	—
72	—	—	\$715	—	—	—

	U	G3	N3	NN	TR
DU8L. BB 48	\$555	—	—	—	—
54	\$580	—	—	—	—
60	\$605	—	—	—	—
66	\$660	—	—	—	—
72	\$715	—	—	—	—

Step 6. Hardware Color

For *Pari fabric screen (F.)* or *laminare (L.)*

NNN	none <input type="checkbox"/>					+\$0
-----	-------------------------------	--	--	--	--	------

For *acrylic (A.)*

8Q	folkstone grey <input type="checkbox"/>	+\$0
91	white <input type="checkbox"/>	+\$0
98	studio white <input type="checkbox"/>	+\$0
G2	graphite satin <input type="checkbox"/>	+\$0
MS	metallic silver <input type="checkbox"/>	+\$0
WL	sandstone <input type="checkbox"/>	+\$0
WN	warm grey neutral <input type="checkbox"/>	+\$0

For *glass (G.)*

AN	anodized <input type="checkbox"/>	+\$0
----	-----------------------------------	------

Step 7. Fabric

For *Pari fabric screen (F.)*

	24	48	30	54	60
Price Category 1	+\$0	0	0	0	0
Price Category 2	+\$14	18	23	26	28
Price Category 3	+\$34	44	55	62	67
Price Category 4	+\$60	76	95	108	117
Price Category 5	+\$100	128	160	181	196
				66	72
Price Category 1	+\$0	0	0	0	0
Price Category 2	+\$32	43	49	54	54
Price Category 3	+\$75	102	117	128	128
Price Category 4	+\$131	177	204	222	222
Price Category 5	+\$219	297	342	373	373

Renew™ Link

Step 8. Surface Finish

For laminate/thermoplastic edge (L) or laminate/universal edge (U)

76	light brown walnut <input type="checkbox"/>	+\$0
8Q	folkstone grey <input type="checkbox"/>	+\$0
91	white <input type="checkbox"/>	+\$0
98	studio white <input type="checkbox"/>	+\$0
CL	cool grey neutral <input type="checkbox"/>	+\$0
HM	natural maple <input type="checkbox"/>	+\$0
HP	light anigre <input type="checkbox"/>	+\$0
HX	aged cherry <input type="checkbox"/>	+\$0
HY	walnut on cherry <input type="checkbox"/>	+\$0
LA	light ash <input type="checkbox"/>	+\$0
LBA	clear on ash <input type="checkbox"/>	+\$0
LBB	oak on ash <input type="checkbox"/>	+\$0
LBC	walnut on ash <input type="checkbox"/>	+\$0
LBD	dark brown walnut <input type="checkbox"/>	+\$0
LBE	medium red walnut <input type="checkbox"/>	+\$0
LBF	neutral twill <input type="checkbox"/>	+\$0
LBG	sarum twill <input type="checkbox"/>	+\$0
LBH	earthen twill <input type="checkbox"/>	+\$0
LBJ	graphite twill <input type="checkbox"/>	+\$0
LBK	pewter mesh <input type="checkbox"/>	+\$0
LBL	steel mesh <input type="checkbox"/>	+\$0
LBM	crisp linen <input type="checkbox"/>	+\$0
LBN	classic linen <input type="checkbox"/>	+\$0
LBP	casual linen <input type="checkbox"/>	+\$0
LBQ	white twill <input type="checkbox"/>	+\$0
LU	soft white <input type="checkbox"/>	+\$0
WL	sandstone <input type="checkbox"/>	+\$0
WN	warm grey neutral <input type="checkbox"/>	+\$0
X1	chalk white <input type="checkbox"/>	+\$0

Step 9. Edge Finish

For laminate/thermoplastic edge (L)

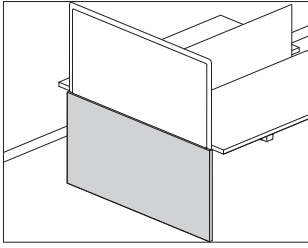
76	light brown walnut <input type="checkbox"/>	+\$0
8Q	folkstone grey <input type="checkbox"/>	+\$0
91	white <input type="checkbox"/>	+\$0
98	studio white <input type="checkbox"/>	+\$0
BU	black umber <input type="checkbox"/>	+\$0
CL	cool grey neutral <input type="checkbox"/>	+\$0
HF	inner tone light <input type="checkbox"/>	+\$0
HM	natural maple <input type="checkbox"/>	+\$0
HP	light anigre <input type="checkbox"/>	+\$0
HX	aged cherry <input type="checkbox"/>	+\$0
HY	walnut on cherry <input type="checkbox"/>	+\$0
LA	light ash <input type="checkbox"/>	+\$0
LBA	clear on ash <input type="checkbox"/>	+\$0
LBB	oak on ash <input type="checkbox"/>	+\$0
LBC	walnut on ash <input type="checkbox"/>	+\$0
LBD	dark brown walnut <input type="checkbox"/>	+\$0
LBE	medium red walnut <input type="checkbox"/>	+\$0
LBF	neutral twill <input type="checkbox"/>	+\$0
LBG	sarum twill <input type="checkbox"/>	+\$0
LBH	earthen twill <input type="checkbox"/>	+\$0
LBJ	graphite twill <input type="checkbox"/>	+\$0
LBK	pewter mesh <input type="checkbox"/>	+\$0
LBL	steel mesh <input type="checkbox"/>	+\$0
LBM	crisp linen <input type="checkbox"/>	+\$0
LBN	classic linen <input type="checkbox"/>	+\$0
LBP	casual linen <input type="checkbox"/>	+\$0
LBQ	white twill <input type="checkbox"/>	+\$0
LU	soft white <input type="checkbox"/>	+\$0
MT	medium tone <input type="checkbox"/>	+\$0
WL	sandstone <input type="checkbox"/>	+\$0
WN	warm grey neutral <input type="checkbox"/>	+\$0

For laminate/universal edge (U)

PLY	plywood edge <input type="checkbox"/>	+\$50
------------	---------------------------------------	-------

Gallery Panel

DU9B.
DU9R.



Product Information

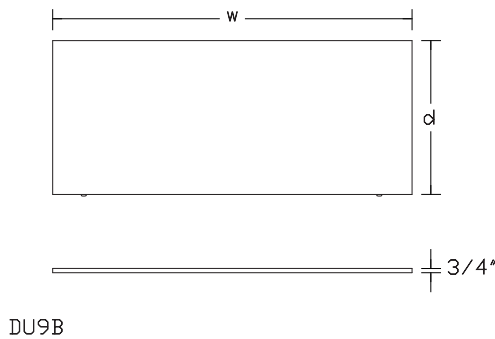
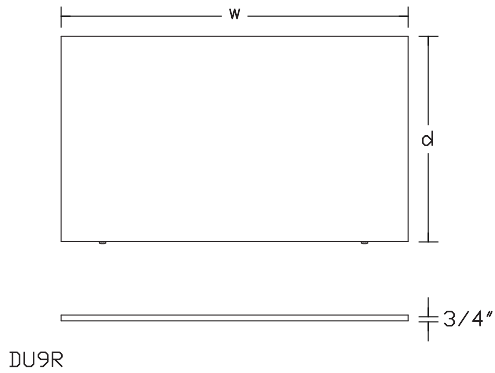
Description

This gallery panel creates a finished and polished look to end of run or single sided applications. It also creates boundary for a single sided bench and an adjacent work space or aisle. The panel is laminate with thermoplastic edge, or veneer with veneer edge. Edges are square. Glides have 1/2" of leveling adjustment.

Notes

For end of run application, specify end of run panel (DU9R.).
For single sided application on back side of work surface, specify single sided boundary panel (DU9B.).

Dimensions



Specification Information

Step 1.

DU9 A

Step 2. Edge

R. end of run gallery panel A

B. single sided boundary gallery panel (along back edge) A

Step 3. Width

For end of run gallery panel (R.)

24 24" wide - front edge to back edge for single sided bench A

30 30" wide - front edge to back edge for single sided bench A

48 48" wide - front edge to front edge for 24" deep back to back A

60 60" wide - front edge to front edge for 30" deep back to back A

For single sided boundary gallery panel (along back edge) (B.)

48 48" wide A

54 54" wide A

60 60" wide A

66 66" wide A

72 72" wide A

Step 4. Height

29 29" tall A

46 29" tall with inserts to be used with 17" tall Canvas Dock screen A

Step 5. Surface Material

L laminate top/thermoplastic edge A

W veneer top/veneer edge A

Prices for Steps 1-5.

		L	W
DU9R.	24 29	\$183	420
	46	\$233	470
	30 29	\$242	530
	46	\$292	580
	48 29	\$385	825
	46	\$435	875
	60 29	\$497	1050
	46	\$550	1100
<hr/>			
		L	W
DU9B.	54 29	\$452	950
	46	\$502	1000

Renew™ Link

48 29	\$385	810
46	\$435	860
60 29	\$497	1045
46	\$547	1095
66 29	\$572	1200
46	\$622	1250
72 29	\$635	1335
46	\$685	1385

Step 6.

Top Finish

For laminate top/thermoplastic edge (L)

76	light brown walnut A	+\$0
8Q	folkstone grey A	+\$0
91	white A	+\$0
98	studio white A	+\$0
CL	cool grey neutral A	+\$0
HF	inner tone light A	+\$0
HM	natural maple A	+\$0
HP	light anigre A	+\$0
HT	inner tone A	+\$0
HX	aged cherry A	+\$0
HY	walnut on cherry A	+\$0
LA	light ash A	+\$0
LBA	clear on ash A	+\$0
LBB	oak on ash A	+\$0
LBC	walnut on ash A	+\$0
LBD	dark brown walnut A	+\$0
LBE	medium red walnut A	+\$0
LBF	neutral twill A	+\$0
LBG	sarum twill A	+\$0
LBH	earthen twill A	+\$0
LBJ	graphite twill A	+\$0
LBK	pewter mesh A	+\$0
LBL	steel mesh A	+\$0
LBM	crisp linen A	+\$0
LBN	classic linen A	+\$0
LBP	casual linen A	+\$0
LBQ	white twill A	+\$0
LU	soft white A	+\$0
WL	sandstone A	+\$0
WN	warm grey neutral A	+\$0

Top/Edge Finish

For veneer top/veneer edge (W)

2U	light brown walnut A	+\$85
40	dark brown walnut A	+\$85
ED	aged cherry A	+\$85
EK	medium red walnut A	+\$85
ET	clear on ash A	+\$85
EU	oak on ash A	+\$85
EV	walnut on ash A	+\$85
UL	natural maple A	+\$85
UX	walnut on cherry A	+\$85

Step 7. Edge Finish

For laminate top/thermoplastic edge (L)

76	light brown walnut A	+\$0
8Q	folkstone grey A	+\$0
91	white A	+\$0
98	studio white A	+\$0
CL	cool grey neutral A	+\$0
HF	inner tone light A	+\$0
HM	natural maple A	+\$0
HP	light anigre A	+\$0
HT	inner tone A	+\$0
HX	aged cherry A	+\$0
HY	walnut on cherry A	+\$0
LA	light ash A	+\$0
LBA	clear on ash A	+\$0
LBB	oak on ash A	+\$0
LBC	walnut on ash A	+\$0
LBD	dark brown walnut A	+\$0
LBE	medium red walnut A	+\$0
LBF	neutral twill A	+\$0
LBG	sarum twill A	+\$0
LBH	earthen twill A	+\$0
LBJ	graphite twill A	+\$0
LBK	pewter mesh A	+\$0
LBL	steel mesh A	+\$0
LBM	crisp linen A	+\$0
LBN	classic linen A	+\$0
LBP	casual linen A	+\$0
LBQ	white twill A	+\$0
LU	soft white A	+\$0
WL	sandstone A	+\$0
WN	warm grey neutral A	+\$0

Gallery Panel *continued*

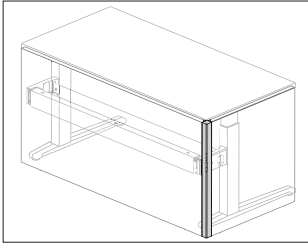
Step 8. Bracket Finish

8Q	folkstone grey	+\$0
91	white <input type="checkbox"/>	+\$0
98	studio white	+\$0
G2	graphite satin <input type="checkbox"/>	+\$0
WL	sandstone	+\$0
WN	warm grey neutral <input type="checkbox"/>	+\$0
CN	metallic champagne <input type="checkbox"/>	+\$0
MS	metallic silver <input type="checkbox"/>	+\$0

Renew™ Link

Single Sided Gallery Panel Trim Piece

DU12.

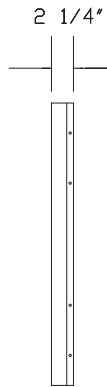
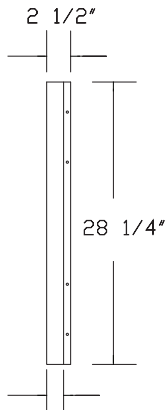
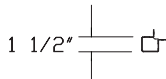


Product Information

Description

This painted metal trim piece fills the gap between the end-of-run gallery panel and the boundary panel attached to the rear of the workstation in single-sided applications. Package contains 1 trim piece.

Dimensions



Renew™ Link

Specification Information

Step 1.

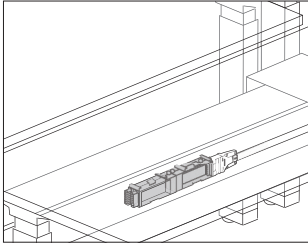
DU12. [A] \$150

Step 2. Finish

8Q	folkstone grey [A]	+\$0
91	white [A]	+\$0
98	studio white [A]	+\$0
G2	graphite satin [A]	+\$0
MS	metallic silver [A]	+\$10
WL	sandstone [A]	+\$0
WN	warm grey neutral [A]	+\$0

Connect™-Junction Block, 4-Circuit

DU1358



Product Information

Description

This block attaches to a junction block attachment bracket and accepts 4-circuit receptacles for access and distribution of up to 4 20-amp circuits. It has connection points at both ends for attaching a power entry, a 4-circuit power jumper, or block-to-block connector. Finish is black. It is UL Listed for use with Renew™ Link in the US and Canada.

Notes

Renew Link modular power products are only compatible with other Renew Link modular products, or with Connect™ 4-circuit modular components. Note that the UL listing for Renew Link is no longer applicable when connecting Renew Link power to Connect power.

For single-sided applications, specify the 2-duplex block (DU1358.DS) or the 1-duplex block (DU1358.SS).

For back-to-back applications, specify the 2-duplex block (DU1358.DB) or the 1-duplex block (DU1358.SB).

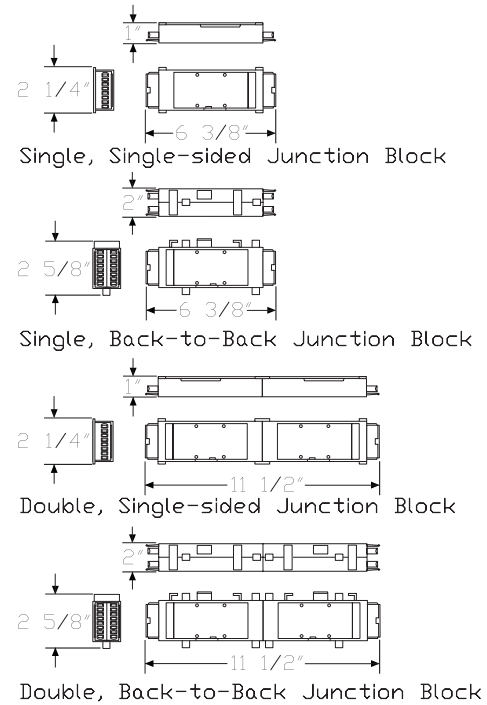
Order duplex receptacle, 4-circuit (DU1355.) separately.

To route power from building to junction block, order 4-circuit power entry (DU1351. or DU1352.) separately.

To route power between junction blocks, order junction block to junction block jumper (DU1353.) separately.

To connect 2 junction blocks together, order a short block to block connector (DU1354.S) separately.

Dimensions



Renew™ Link

Connect™-Junction Block, 4-Circuit

continued

Renew™ Link

Specification Information

Step 1.

DU1358. A

Step 2. Junction Block Type

DS double, single-sided junction block A

SS single, single-side junction block A

SB single back-to-back junction block A

DB double back-to-back junction block A

Step 3. Attachment Hardware

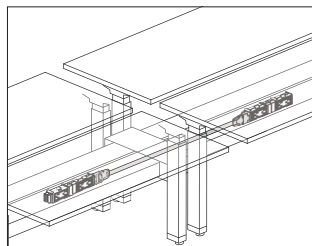
B short 90° attachment to underside of surface A

Prices for Steps 1-3.

	B
DU1358. DS	\$87
SS	\$108
SB	\$116
DB	\$95

Connect™-Junction Block to Junction Block Jumper, 4-Circuit

DU1353



Product Information

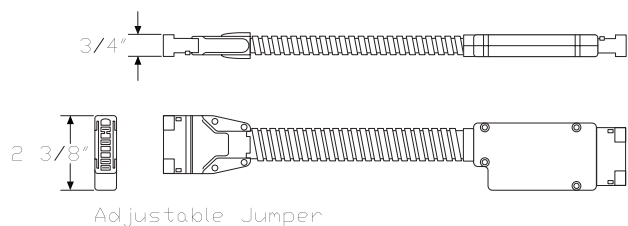
Description

This adjustable power jumper distributes up to 4 20-amp circuits between 2 junction blocks. One end of the jumper extends an additional 3" when connecting to an adjacent junction block. It is UL Listed for use with Renew™ Link in the US and Canada.

Notes

Renew Link modular power products are only compatible with other Renew Link modular products, or with Connect™ 4-circuit modular components. Note that the UL listing for Renew Link is no longer applicable when connecting Renew Link power to Connect power. Finish on 5/8" oval metallic conduit is silver.

Dimensions



Specification Information

Step 1.

DU1353. A

Step 2. Width

24	24" wide	A
30	30" wide	A
36	36" wide	A
42	42" wide	A
48	48" wide	A
54	54" wide	A
60	60" wide	A

Step 3. Type

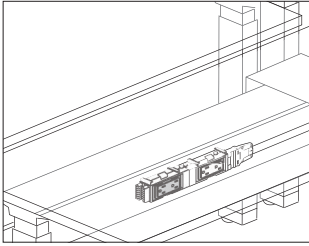
A adjustable jumper A

Prices for Steps 1-3.

		A
DU1353.	24	\$110
	30	\$117
	36	\$124
	42	\$131
	48	\$139
	54	\$145
	60	\$152

Renew™ Link

Connect™-Duplex Receptacle, DU1355 4-Circuit



Product Information

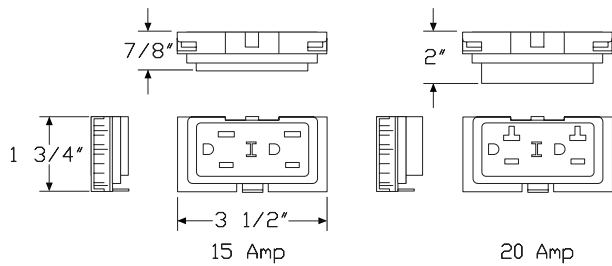
Description

This 15- or 20-amp duplex receptacle attaches to a junction block to provide electrical access. Finish is black. Package of 1. It is UL Listed for use with Renew™ Link in the US and Canada.

Notes

Renew Link modular power products are only compatible with other Renew Link modular products, or with Connect™ 4-circuit modular components. Note that the UL listing for Renew Link is no longer applicable when connecting Renew Link power to Connect power. Receptacle is labeled as I, II, III, or IV for circuit identification. Order junction block (DU1358.) separately.

Dimensions



Specification Information

Step 1.

DU1355. A

Step 2. Amps

15 15 amp A
20 20 amp A

Step 3. Circuit

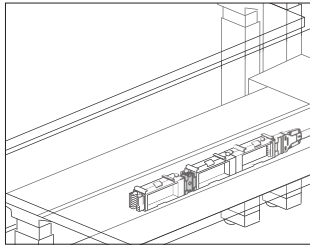
1 circuit I A
2 circuit II A
3 circuit III A
4 circuit IV A

Prices for Steps 1-3.

	1	2	3	4
DU1355. 15	\$29	29	29	29
20	\$34	34	34	34

Connect™-Block Connector, 4-Circuit

DU1354



Product Information

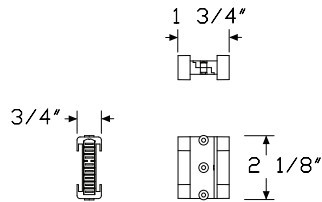
Description

This connector connects 2 junction blocks together. Finish is black. Attachment hardware included. It is UL Listed for use with Renew™ Link in the US and Canada.

Notes

Renew Link modular power products are only compatible with other Renew Link modular products, or with Connect™ 4-circuit modular components. Note that the UL listing for Renew Link is no longer applicable when connecting Renew Link power to Connect power.

Dimensions



Short Receptacle-to-Receptacle Block Connector

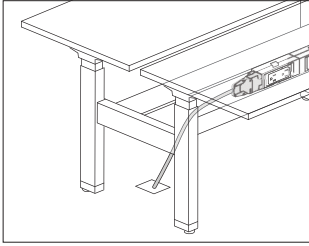
Specification Information

Step 1.

DU1354.S A

\$62

Connect™-Power Entry, 4-Circuit DU1351



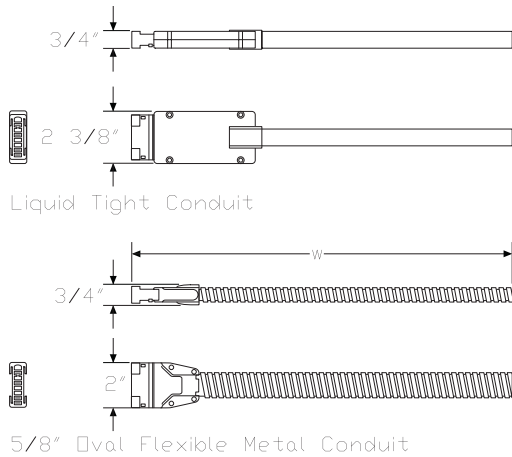
Renew™ Link

Product Information

Description
 This power entry connects a building's electrical from a wall, floor, or column to the end of a 4-circuit junction block and distributes up to 4 20-amp circuits. UL Listed for use with Renew™ Link in the US and Canada.

Notes
 Renew Link modular power products are only compatible with other Renew Link modular products, or with Connect™ 4-circuit modular components. Note that the UL listing for Renew Link is no longer applicable when connecting Renew Link power to Connect power. Power entry can be field cut to the appropriate length. For San Francisco, specify 3/8" flex metallic conduit option (C). Finish color on liquid tight conduit is black. Finish color on metallic conduit is silver. A licensed electrician must wire the power entry to the building's electrical system.

Dimensions



Specification Information

Step 1.

DU1351. A

Step 2. Length

- 06** 6' long A
- 12** 12' long A
- 18** 18' long A
- 24** 24' long A

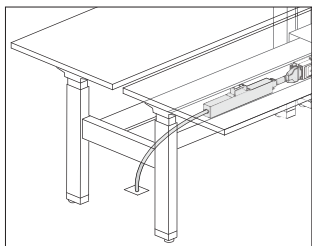
Step 3. Conduit Type

- L** liquid tight conduit A
- C** 3/8" flex metallic conduit A

Prices for Steps 1-3.

	L	C
DU1351. 06	\$190	190
12	\$272	272
18	\$356	356
24	\$455	455

Connect™-Power Entry, 4-Circuit, DU1352 New York City



Product Information

Description

This power entry connects a building's electrical from a wall, floor, or column to the end of a 4-circuit junction block and distributes up to 4 20-amp circuits. It includes a junction box and harness. It is UL Listed for use with Renew™ Link in the US and Canada.

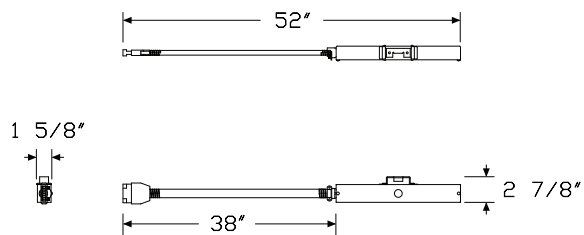
Notes

Renew Link modular power products are only compatible with other Renew Link modular products, or with Connect™ 4-circuit modular components. Note that the UL listing for Renew Link is no longer applicable when connecting Renew Link power to Connect power.

Power entry comes with an 8" harness.

A licensed electrician must wire the power entry to the building's electrical system.

Dimensions



Specification Information

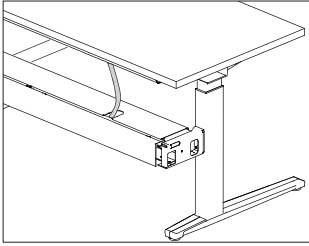
Step 1.

DU1352.08 A

\$305

External Cable Manager

DU11B.

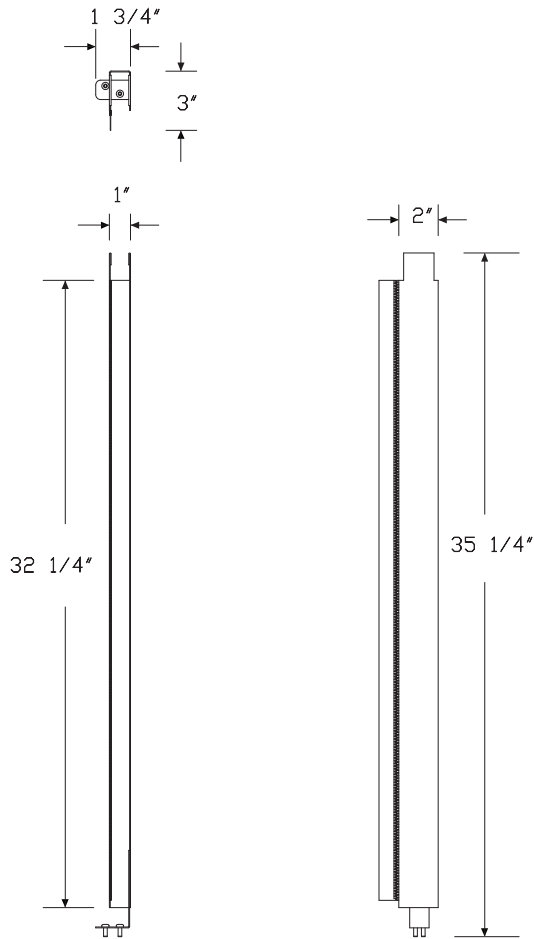


Product Information

Description

This cable manager is specifically designed to work with Renew™ Link. It seamlessly routes cables from the central trough up to the work surface as the surface moves up and down. 1 length fits all leg mechanism types. Installation hardware included.

Dimensions



Renew™ Cable Manager

Specification Information

Step 1.

DU11 A

Step 2. Application

B. bench A

Prices for Steps 1-2.

DU11B. \$180

Step 3. Finish

Price Category 5 + \$0

Index by Product Name

Renew™ Tables	
120° Corner Table with C-Foot	page(s) 31
90° Corner Table with C-Foot	27
90° Extended Corner Table with C-Foot	21
Back to Back Rectangular Height Adjustable Bench	51
Back to Back Trapezoid Height Adjustable Bench	56
Bench Cover Plate - Connecting Plate	66
Bench Cover Plate - End Caps	65
Connect™-Block Connector, 4-Circuit	81
Connect™-Duplex Receptacle, 4-Circuit	80
Connect™-Junction Block to Junction Block Jumper, 4-Circuit	79
Connect™-Junction Block, 4-Circuit	77
Connect™-Power Entry, 4-Circuit	82
Connect™-Power Entry, 4-Circuit, New York City	83
External Cable Manager	84
Gallery Panel	73
Height Adjustable Rectangular Worksurface	39
Logic C1000 Universal Clamp Mount Distributor	47
Logic G1000 Grommet Mounted Electrical Distributor	45
Logic G1200 Grommet Pass Thru	49
Logic HD Cable Manager	50
Oval Table with T-Foot	16
Rectangle Counterbalance Table with C-Foot	35
Rectangle Table with C-Foot	5
Rectangle Table with T-Foot	11
Renew™ Link Back-to-Back Leg Shroud	67
Screen, Trough Mounted	69
Single Sided Gallery Panel Trim Piece	76
Single Sided Rectangular Height Adjustable Bench	61
Table Base Kit - 2 Legs	43
Table Base Kit - 3 Legs	41



Index by Product Number

DU11B. External Cable Manager	page(s) 84	DU8A. Screen, Trough Mounted	69
DU12. Single Sided Gallery Panel Trim Piece	76	DU8F.	
DU1351 Connect™-Power Entry, 4-Circuit	82	DU8G.	
DU1352 Connect™-Power Entry, 4-Circuit, New York City	83	DU8L.	
DU1353 Connect™-Junction Block to Junction Block Jumper, 4-Circuit	79	DU9B. Gallery Panel	73
DU1354 Connect™-Block Connector, 4-Circuit	81	DU9R.	
DU1355 Connect™-Duplex Receptacle, 4-Circuit	80	Y1420. Logic G1200 Grommet Pass Thru	49
DU1358 Connect™-Junction Block, 4-Circuit	77	Y1423. Logic C1000 Universal Clamp Mount Distributor	47
DU1AE. Single Sided Rectangular Height Adjustable Bench	61	Y1424. Logic HD Cable Manager	50
DU1AS.		Y1425. Logic G1000 Grommet Mounted Electrical Distributor	45
DU1AT.			
DU2AE. Back to Back Rectangular Height Adjustable Bench	51		
DU2AS.			
DU2AT.			
DU2TE. Back to Back Trapezoid Height Adjustable Bench	56		
DU2TS.			
DU2TT.			
DU4B. Bench Cover Plate - Connecting Plate	66		
DU4B. Bench Cover Plate - End Caps	65		
DU4C. Renew™ Link Back-to-Back Leg Shroud	67		
DU4S. Bench Cover Plate - Connecting Plate	66		
DU4S. Bench Cover Plate - End Caps	65		
DU6ACE Rectangle Table with C-Foot	5		
DU6ACG Rectangle Counterbalance Table with C-Foot	35		
DU6ACS Rectangle Table with C-Foot	5		
DU6ACT			
DU6ATE Rectangle Table with T-Foot	11		
DU6ATS			
DU6ATT			
DU6DTE Oval Table with T-Foot	16		
DU6DTS			
DU6DTT			
DU6ECE 90° Extended Corner Table with C-Foot	21		
DU6ECS			
DU6ECT			
DU6FCE 90° Corner Table with C-Foot	27		
DU6FCS			
DU6FCT			
DU6GCE 120° Corner Table with C-Foot	31		
DU6GCS			
DU6GCT			
DU6WS. Height Adjustable Rectangular Worksurface	39		
DU7A. Table Base Kit - 2 Legs	43		
DU7F. Table Base Kit - 3 Legs	41		



20-Day or Less/Assigned Lead-Time Order Information

20-Day or Less and Assigned Lead-Time Programs

20-day or less and assigned lead-time products are designed for established Herman Miller dealers with pre-approved credit.

Products are distributed from multiple manufacturing facilities across the United States. All products and options not designated by an Assigned Lead-Time icon **A** will ship in 20 business days or less after being acknowledged by Herman Miller. Products and options designated by an **A** are on the assigned lead-time program and will ship in 20 days, less than 20 days, or more than 20 days from order acknowledgement.

Ordering Procedure

Please place orders through Order Manager. If this is not available to you, place orders through mail or fax. Verbal purchase orders will not be accepted.

Order Entry fax number for Passage®, 5000 Series, and Meridian®
Filing and Storage: (616) 846 9236.

Order Entry fax number for all other products:
(616) 654 3085.

For more information, contact your Customer Care representative at:
(866) 854 3048 EXT 3400.

Shipments and Delivery

Per Herman Miller Terms and Conditions.

Changes and Cancellation

Per Herman Miller Terms and Conditions.



Vary Easy Program

Program Overview

Vary Easy is a program designed to help dealers specify standard products with a larger breadth of options. For example, depending on the type of product being specified, choices include additional size, finish, edge types, and cable management features. Vary Easy 3D, specIT, and third-party text-based specification packages support the Vary Easy program. Vary Easy 3D enables designers to create a 3D image, CAD symbols, and a price book page. A Vary Easy product number is assigned for each product as the user selects specific options. Once the product is completely specified, the order can be submitted via Kiosk's Order Manager or a dealer's business system.

Accessing and Specifying Vary Easy

To view the full product vocabulary, go to the Vary Easy Product Offering on Kiosk. To specify Vary Easy, go to the Vary Easy 3D website on Kiosk, specIT, or your third-party text-based specification package.

Once you've made your product line selection, continue to follow through each option and enter the specific options that represent the product you need. When the product is fully specified, Vary Easy will generate an orderable product number and instantly calculate a price.


Note: Failure to completely specify a product will cause a delay in order acknowledgements. Be sure to make a selection for all options offered.

The acknowledgement process for Vary Easy products is the same as for any standard order. Vary Easy products ship with a standardized lead time and are competitively priced.

For more information, contact your Customer Care Line at (866) 854 3048 EXT 3400.

For more information about our products and services or to see a list of dealers, please visit us at HermanMiller.com or call (800) 851 1196.

© 2017 Herman Miller, Inc., Zeeland, Michigan

® **HermanMiller**, , Action Office, Aeron, Aside, Avive, Canvas Office Landscape, Caper, Celle, Co/Struc, Eames, Embody, Equa 2, Ergon 3, Ethospace, Exclave, Fine-Tune, FlexFront, Formcoat, Ground Cloth, Herman Miller Healthcare, Layout Studio, Maharam, Meridian, Mirra, Passage, Pellicle, Perspectives, PostureFit, Resolve, Sayl, Setu, Thrive, Tu, Y-Tower, and Z-Axis are among the registered trademarks of Herman Miller, Inc., and its owned subsidiaries.

™ AireWeave, Bubbletack, Cellular Suspension, Compass, Connect, DOT, Durawrap, Everywhere, Flex-Edge, Hopsak 2, Intent, Iota, Keyless Entry, Latitude, Lyris 2, Motia, Multiscrim, Nelson, Renew, Stackable, Swoop, TriFlex, Twist, and Verus are among the trademarks of Herman Miller, Inc., and its owned subsidiaries.

®Chemsurf® is a registered trademark of Wilsonart International.

Corian® is a registered trademark of E.I. du Pont de Nemours and Company Corporation.

FLEXNET™ is a trademark of Milliken & Company.

Floor Saver Glide® is a registered trademark of Carpin Manufacturing, Inc.

Geiger® is a registered trademark of Geiger International.

Microsoft® and Natural® Keyboard are registered trademarks of Microsoft Corporation.

Place Textiles® is a registered trademark of Place Textiles.