

806-A01-050

Joint Width		Movement ±			
US	mm	Horizontal		Vertical	
US	mm	US	mm	US	mm
2"	50	1"	25	+5 /-17°	+5 /-17°

FINISH: MILL

• JOINTMASTER®
EXPANSION JOINT SYSTEMS
A DIVISION OF INPRO®

DATE: 4-30-08
SCALE: 1:2
DOC: CADJM.127/Rev3

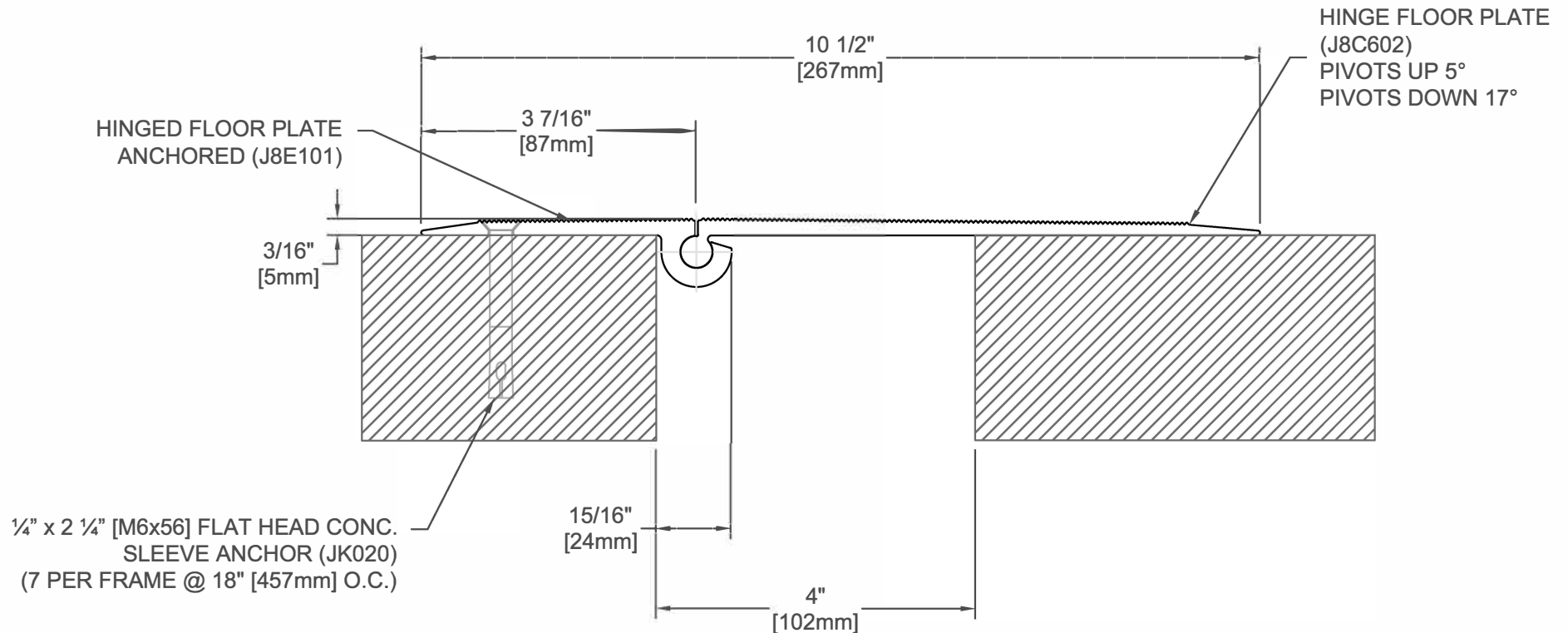
APPLICATION
FLOOR/WALL
STANDARD COVER PLATE

PROJECT:

CUSTOMER:

LOCATION:

inpro®



806-A01-100

Joint Width		Movement ±			
		Horizontal		Vertical	
US	mm	US	mm	US	mm
4"	100	2"	50	+5 /-17°	+5 /-17°

FINISH: MILL

• JOINTMASTER®
EXPANSION JOINT SYSTEMS
A DIVISION OF INPRO®

DATE: 4-30-08
SCALE: 1:2
DOC: CADJM.127/Rev3

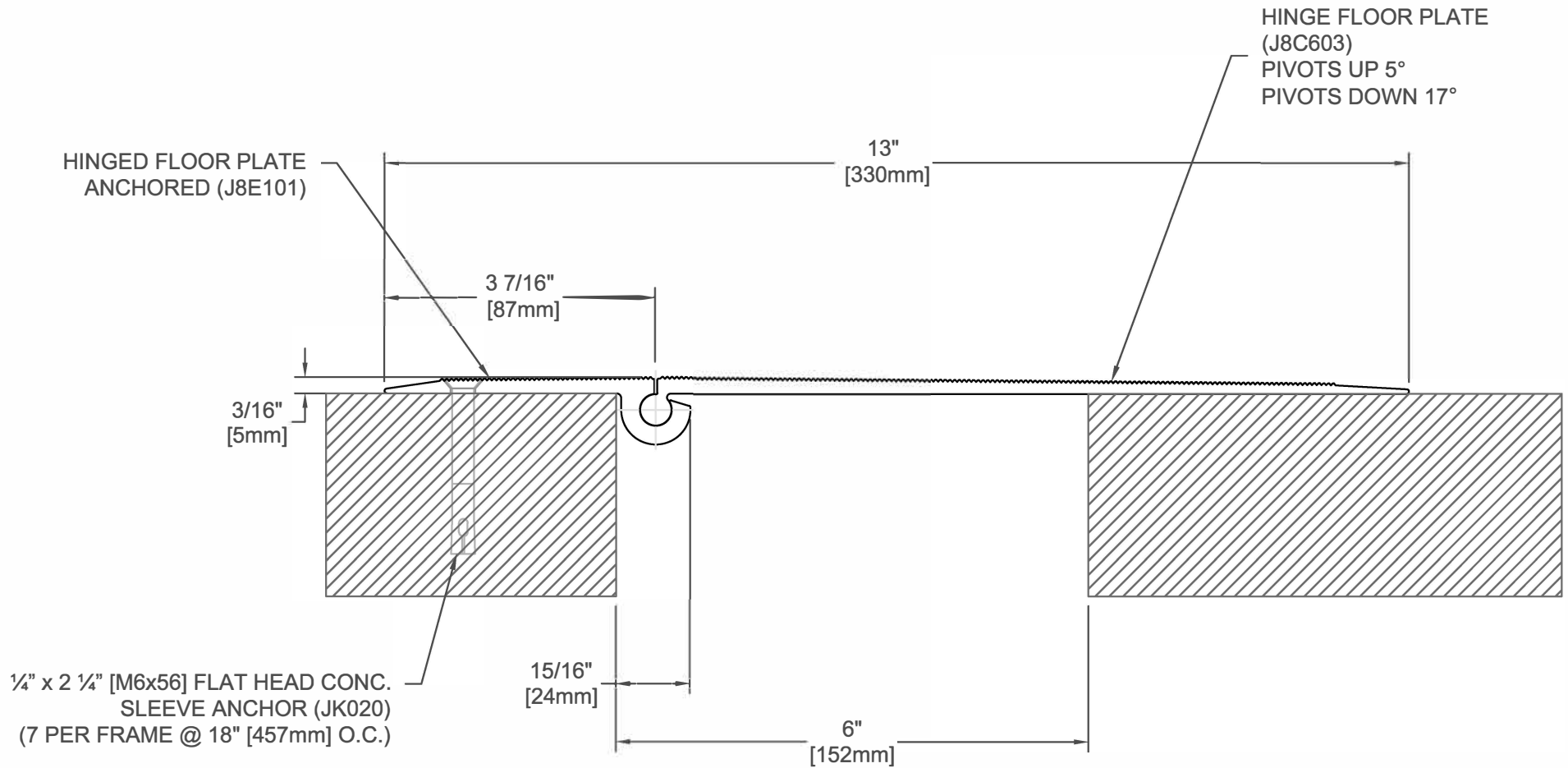
APPLICATION
FLOOR/WALL
STANDARD COVER PLATE

PROJECT:

CUSTOMER:

LOCATION:

inpro®



806-A01-150

Joint Width		Movement ±			
		Horizontal		Vertical	
US	mm	US	mm	US	mm
6"	150	3"	75	+5 /-17°	+5 /-17°

FINISH: MILL

• JOINTMASTER®
EXPANSION JOINT SYSTEMS
A DIVISION OF INPRO®

DATE: 4-30-08

SCALE: 1:2

DOC: CADJM.127/Rev3

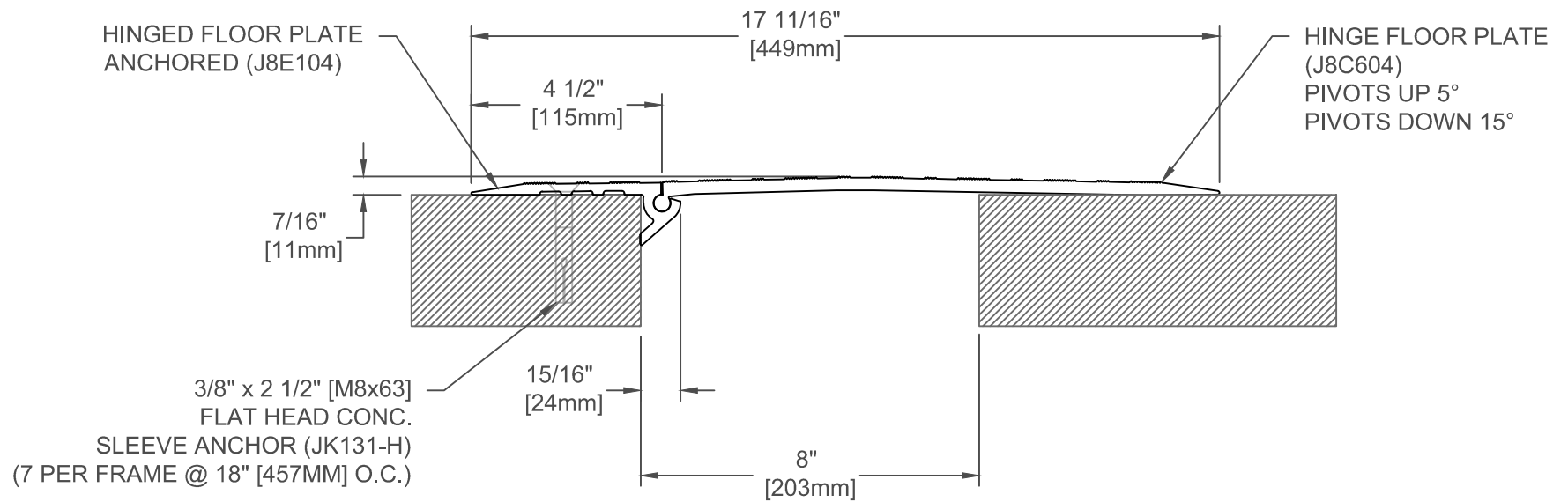
APPLICATION
FLOOR/WALL
STANDARD COVER PLATE

PROJECT:

CUSTOMER:

LOCATION:

inpro®



806-A01-200

Joint Width		Movement ±			
		Horizontal		Vertical	
US	mm	US	mm	US	mm
8"	200	4"	100	+5 /-15°	+5 /-15°

FINISH: MILL

• JOINTMASTER®
EXPANSION JOINT SYSTEMS
A DIVISION OF INPRO®

DATE: 4-30-08
SCALE: 1:4
DOC: CADJM.127/Rev3

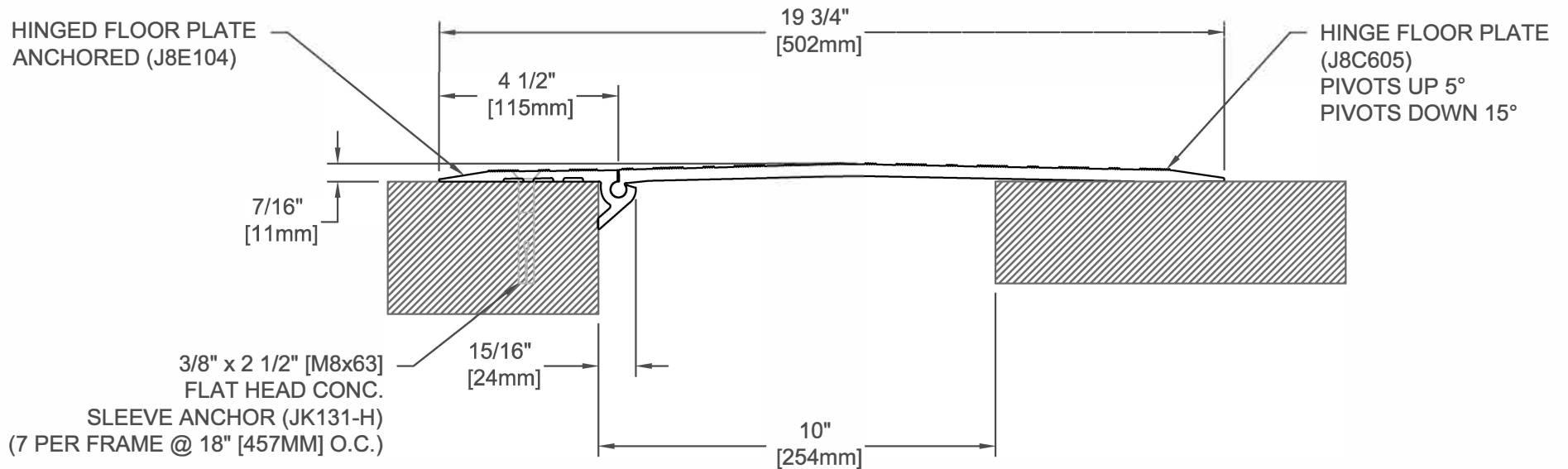
APPLICATION
FLOOR/FLOOR
STANDARD COVER PLATE

PROJECT:

CUSTOMER:

LOCATION:





806-A01-250

Joint Width		Movement ±			
		Horizontal		Vertical	
US	mm	US	mm	US	mm
10"	250	5"	125	+5 /-15°	+5 /-15°

FINISH: MILL

• JOINTMASTER®
EXPANSION JOINT SYSTEMS
A DIVISION OF INPRO®

DATE: 4-30-08
SCALE: 1:4
DOC: CADJM.127/Rev3

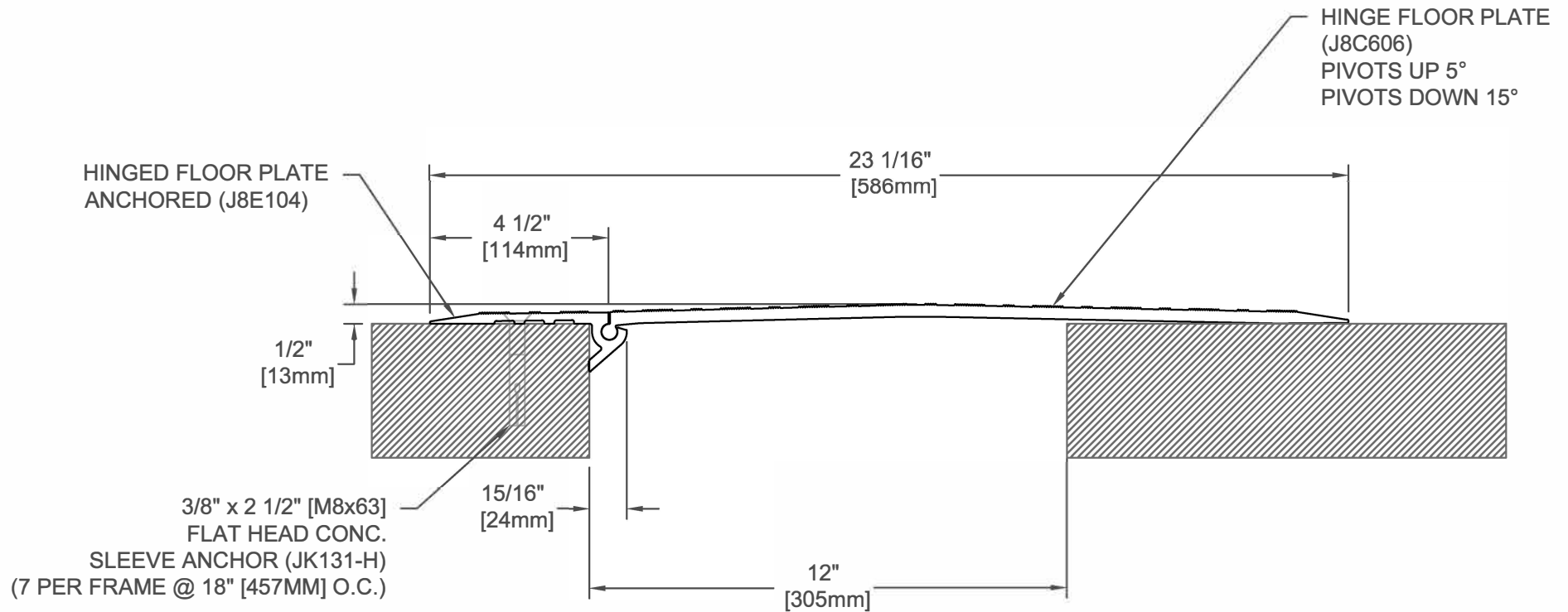
APPLICATION
FLOOR/FLOOR
STANDARD COVER PLATE

PROJECT:

CUSTOMER:

LOCATION:

inpro®



806-A01-300

Joint Width		Movement ±			
		Horizontal		Vertical	
US	mm	US	mm	US	mm
12"	300	6"	150	+5 /-15°	+5 /-15°

FINISH: MILL

• JOINTMASTER®
EXPANSION JOINT SYSTEMS
A DIVISION OF INPRO®

DATE: 4-30-08

SCALE: 1:4

DOC: CADJM.127/Rev3

APPLICATION
FLOOR/FLOOR
STANDARD COVER PLATE

PROJECT:

CUSTOMER:

LOCATION:

inpro®