

Joint Width		Movement ± Horizontal	
US	mm	US	mm
2"	51	1"	25

FINISH: MILL

**• JOINTMASTER®**  
EXPANSION JOINT SYSTEMS  
A DIVISION OF INPRO®

DATE: 10-31-13

SCALE: 1:2

DOC: CADJM.129/Rev4

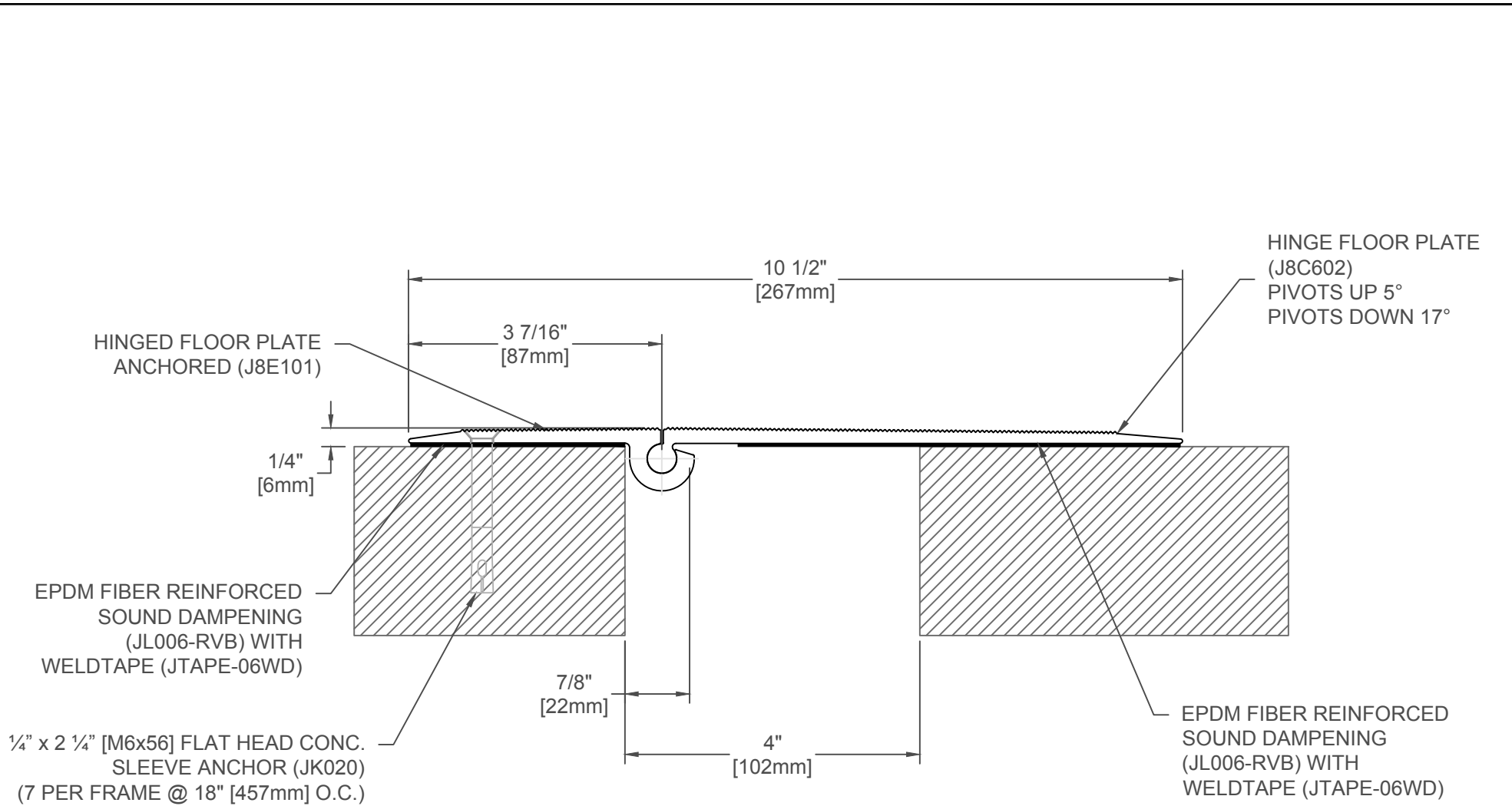
APPLICATION-FLOOR/FLOOR HINGED  
METAL COVER PLATE  
W/APPLIED SOUND DAMPENING

PROJECT:

CUSTOMER:

LOCATION:

**inpro.**



### 806SD-A01-100

Joint Width		Movement ± Horizontal	
US	mm	US	mm
4"	102	2"	51

FINISH: MILL

**JOINTMASTER**  
EXPANSION JOINT SYSTEMS  
A DIVISION OF INPRO

DATE: 10-31-13

SCALE: 1:2

DOC: CADJM.129/rev4

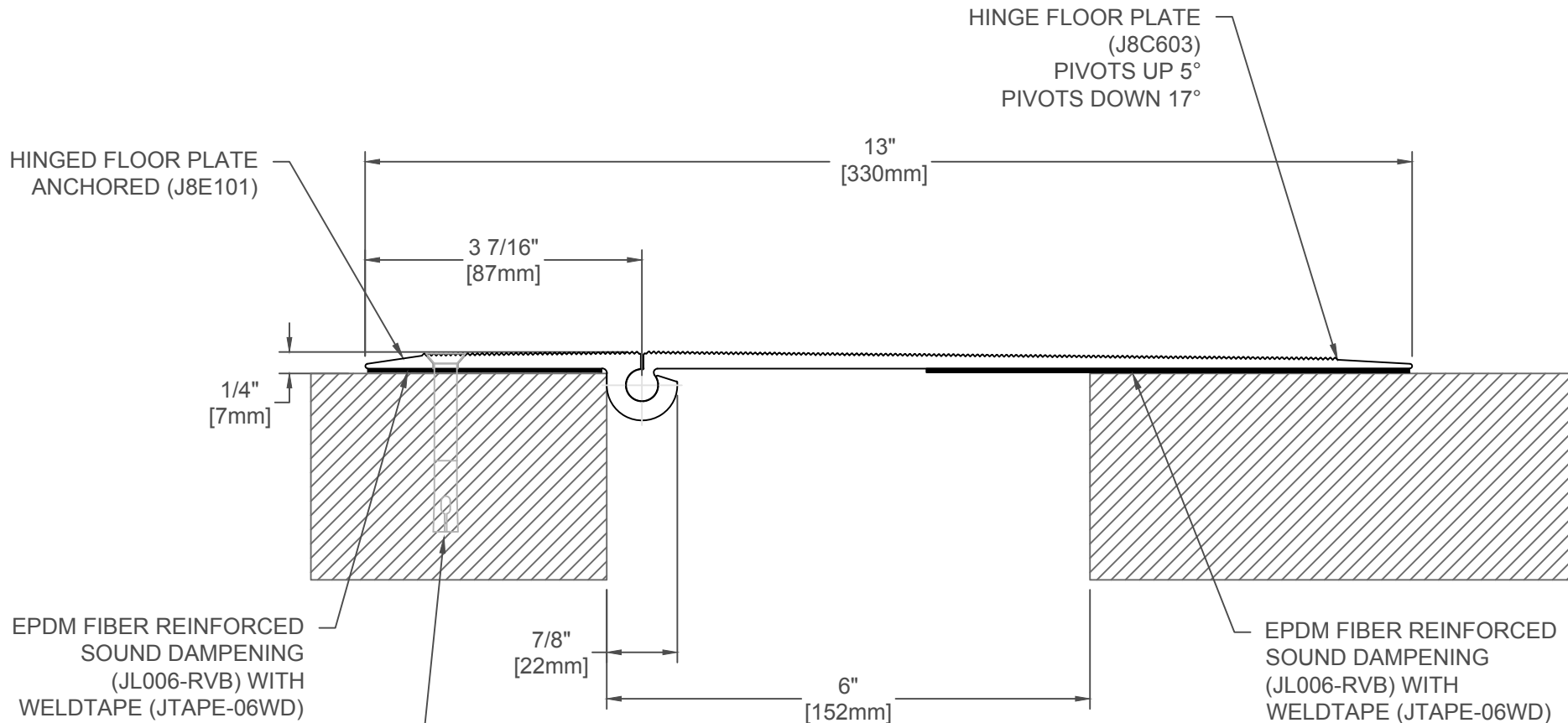
APPLICATION-FLOOR/FLOOR HINGED  
METAL COVER PLATE  
W/APPLIED SOUND DAMPENING

PROJECT:

CUSTOMER:

LOCATION:

**inpro.**



1/4" x 2 1/4" [M6x56] FLAT HEAD CONC. SLEEVE ANCHOR (JK020)  
(7 PER FRAME @ 18" [457mm] O.C.)

### 806SD-A01-150

Joint Width		Movement ± Horizontal	
US	mm	US	mm
6"	152	3"	76

FINISH: MILL

**JOINTMASTER**  
EXPANSION JOINT SYSTEMS  
A DIVISION OF INPRO

DATE: 10-31-13

SCALE: 1:2

DOC: CADJM.129/rev4

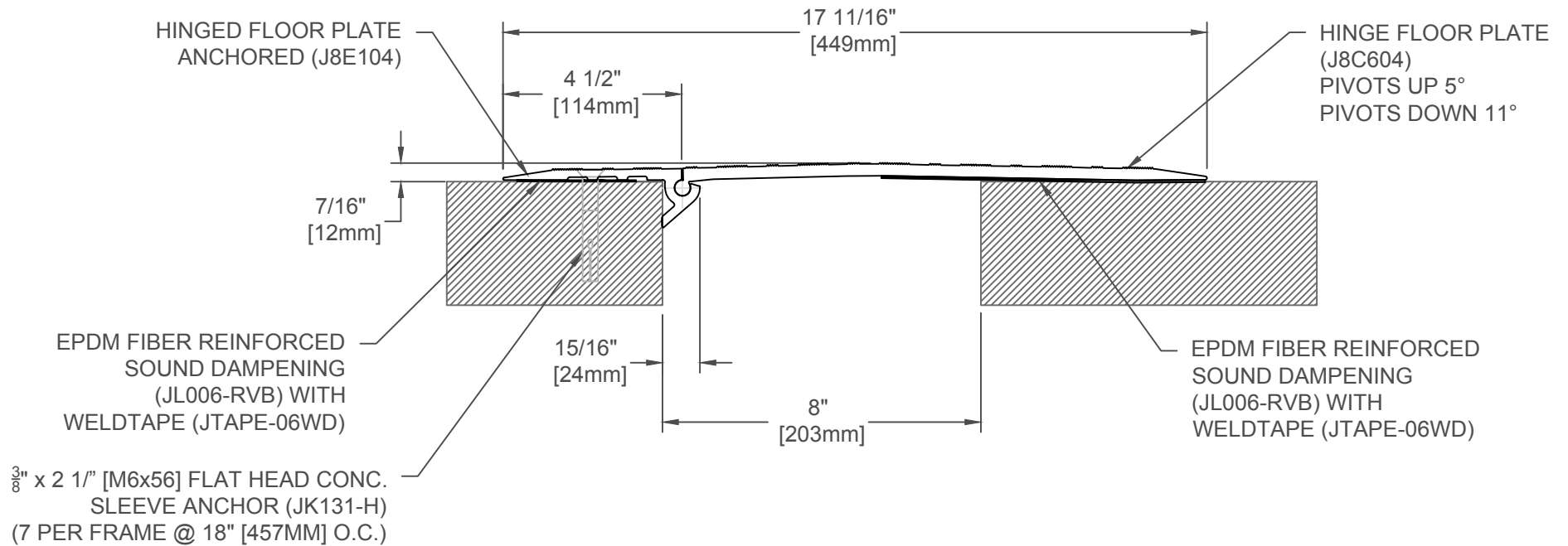
APPLICATION-FLOOR/FLOOR HINGED  
METAL COVER PLATE  
W/APPLIED SOUND DAMPENING

PROJECT:

CUSTOMER:

LOCATION:

**inpro.**



### 806SD-A01-200

Joint Width		Movement ± Horizontal	
US	mm	US	mm
8"	203	4"	102

FINISH: MILL

**• JOINTMASTER®**  
EXPANSION JOINT SYSTEMS  
A DIVISION OF INPRO®

DATE: 10-31-13

SCALE: 1:4

DOC: CADJM.129/rev4

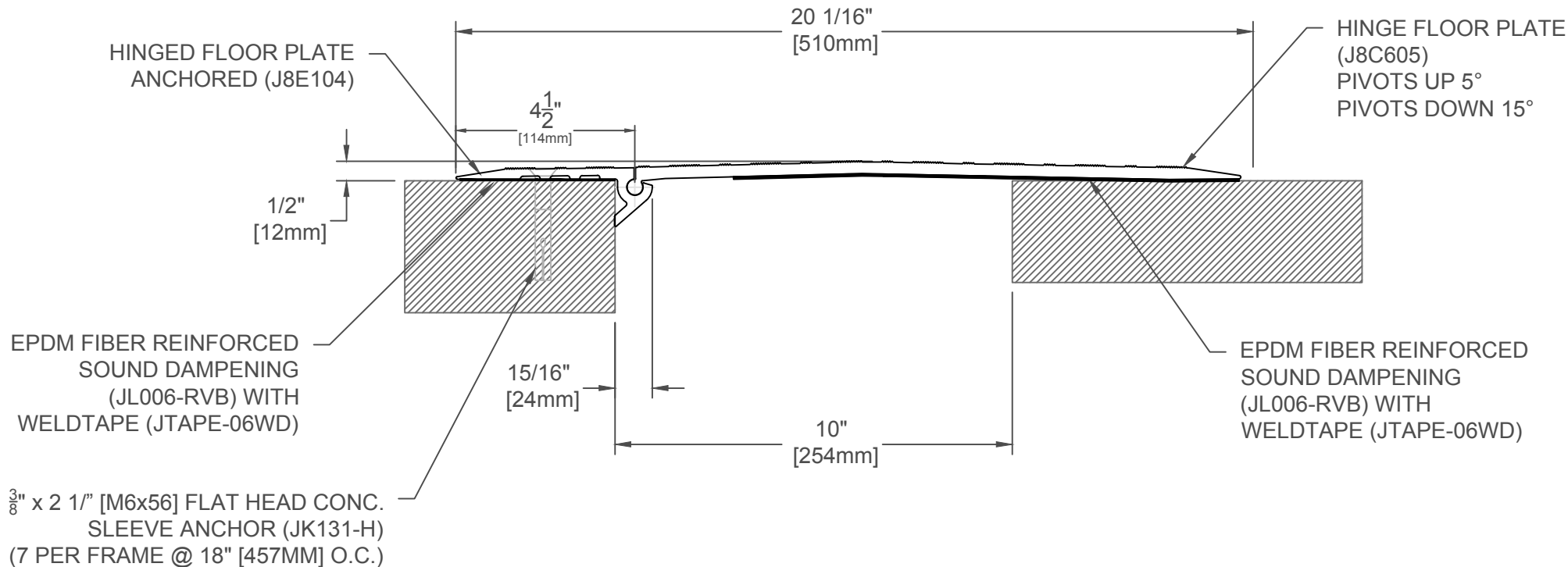
APPLICATION-FLOOR/FLOOR HINGED  
METAL COVER PLATE  
W/APPLIED SOUND DAMPENING

PROJECT:

CUSTOMER:

LOCATION:

**inpro.**



### 806SD-A01-250

Joint Width		Movement ± Horizontal	
US	mm	US	mm
10"	254	5"	127

FINISH: MILL

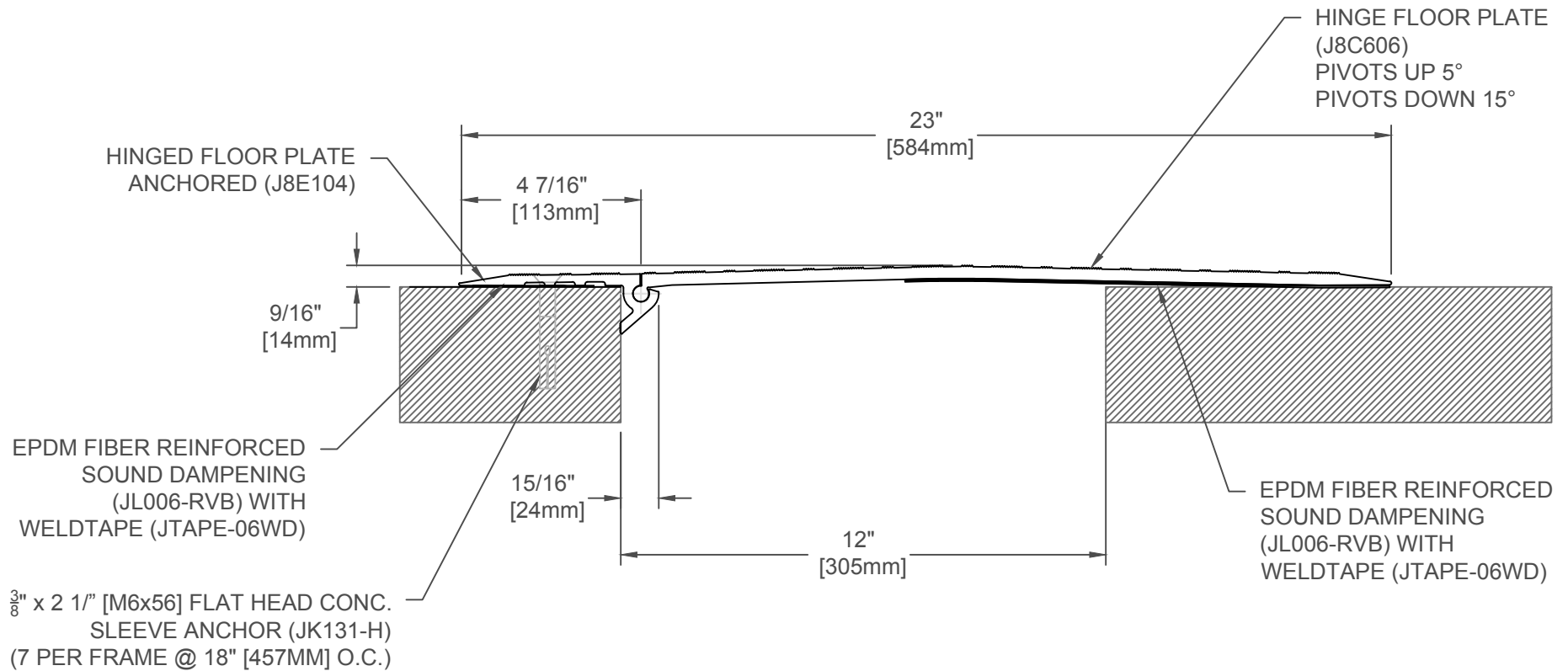
**JOINTMASTER**  
EXPANSION JOINT SYSTEMS  
A DIVISION OF INPRO®

DATE: 10-31-13  
SCALE: 1:4  
DOC: CADJM.129/rev4

APPLICATION-FLOOR/FLOOR  
METAL COVER PLATE  
W/APPLIED SOUND DAMENING

PROJECT:  
CUSTOMER:  
LOCATION:





### 806SD-A01-300

Joint Width		Movement ± Horizontal	
US	mm	US	mm
12"	305	6"	152

FINISH: MILL

**JOINTMASTER**  
EXPANSION JOINT SYSTEMS  
A DIVISION OF INPRO

DATE: 10-31-13

SCALE: 1:4

DOC: CADJM.129/rev4

APPLICATION-FLOOR/FLOOR  
METAL COVER PLATE  
W/APPLIED SOUND DAMPENING

PROJECT:

CUSTOMER:

LOCATION:

**inpro.**