

### 806SD-A02-050

Joint Width		Movement ± Horizontal	
US	mm	US	mm
2"	51	1"	25

FINISH: MILL

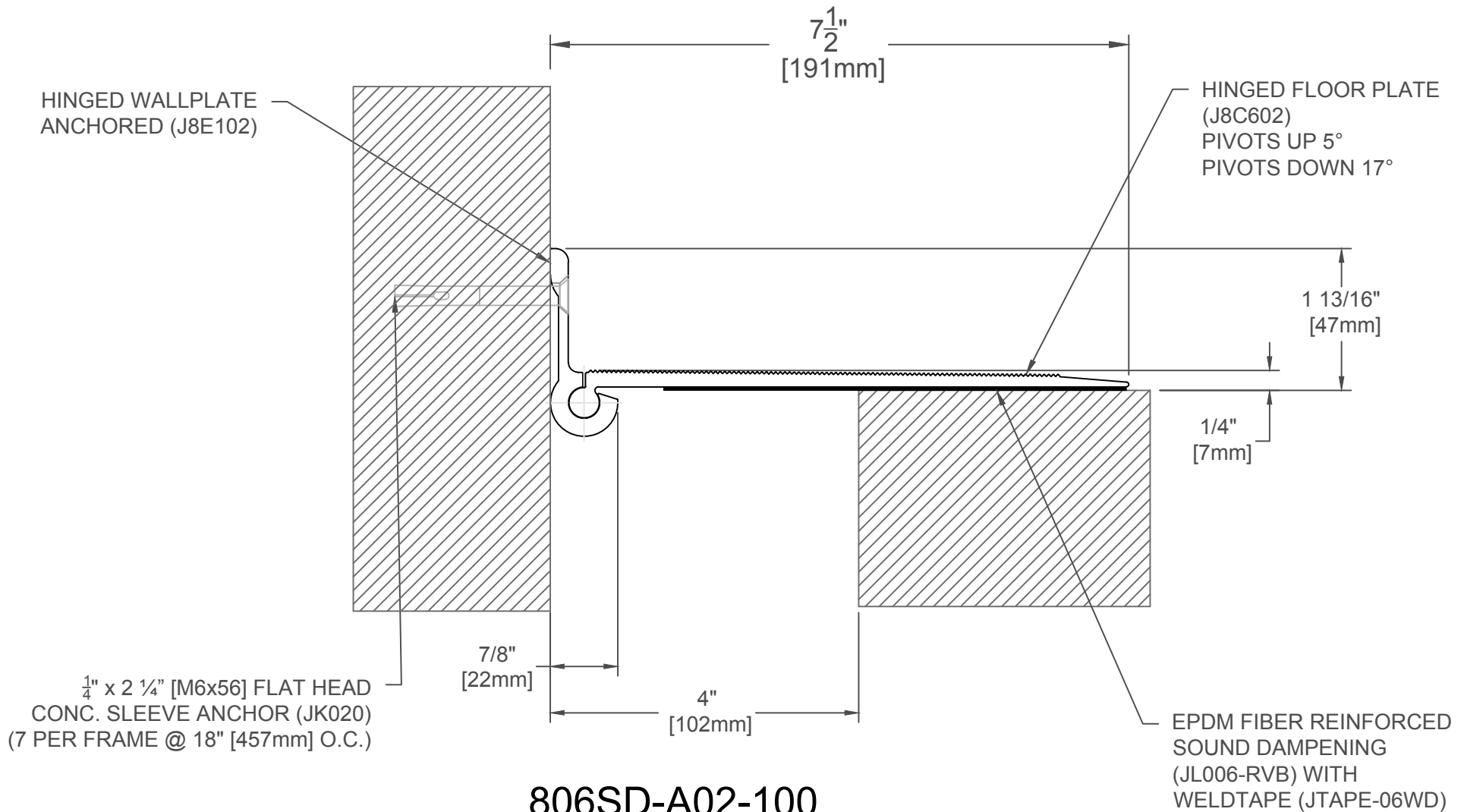
**JOINTMASTER**  
EXPANSION JOINT SYSTEMS  
A DIVISION OF INPRO

DATE: 10-31-13  
SCALE: 1:2  
DOC: CADJM.130/Rev4

APPLICATION-  
FLOOR/WALL HINGED METAL COVER PLATE  
W/APPLIED SOUND DAMPENING

PROJECT:  
CUSTOMER:  
LOCATION:





### 806SD-A02-100

Joint Width		Movement ± Horizontal	
US	mm	US	mm
4"	102	2"	51

FINISH: MILL

**JOINTMASTER**  
EXPANSION JOINT SYSTEMS  
A DIVISION OF INPRO

DATE: 10-31-13

SCALE: 1:2

DOC: CADJM.130/Rev4

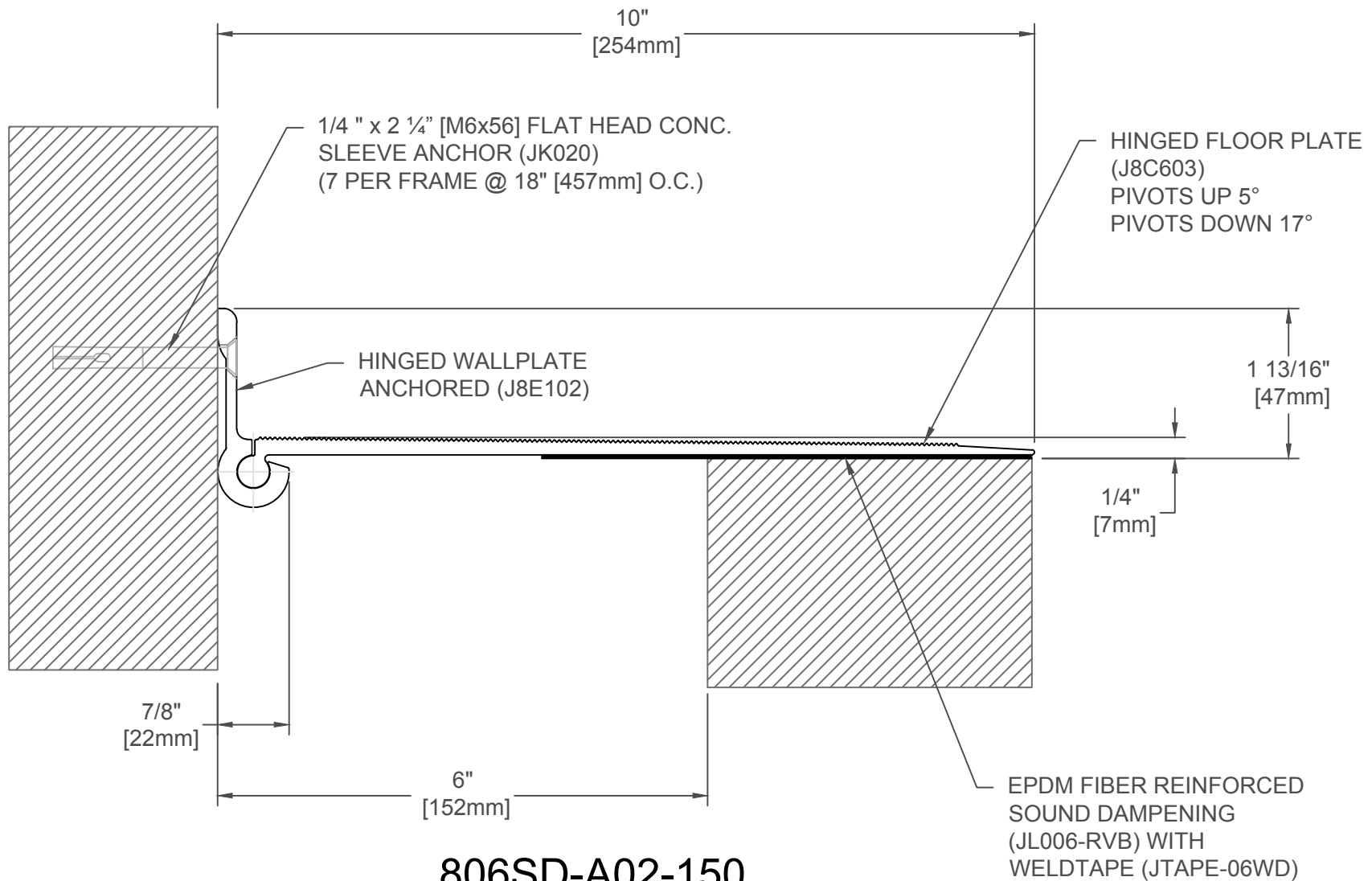
APPLICATION-  
FLOOR/WALL HINGED METAL COVER PLATE  
W/APPLIED SOUND DAMPENING

PROJECT:

CUSTOMER:

LOCATION:

**inpro.**



### 806SD-A02-150

Joint Width		Movement ± Horizontal	
US	mm	US	mm
6"	152	3"	76

FINISH: MILL

**JOINTMASTER**  
EXPANSION JOINT SYSTEMS  
A DIVISION OF INPRO®

DATE: 10-31-13

SCALE: 1:2

DOC: CADJM.130/Rev4

APPLICATION-  
FLOOR/WALL HINGED METAL COVER PLATE  
W/APPLIED SOUND DAMPENING

PROJECT:

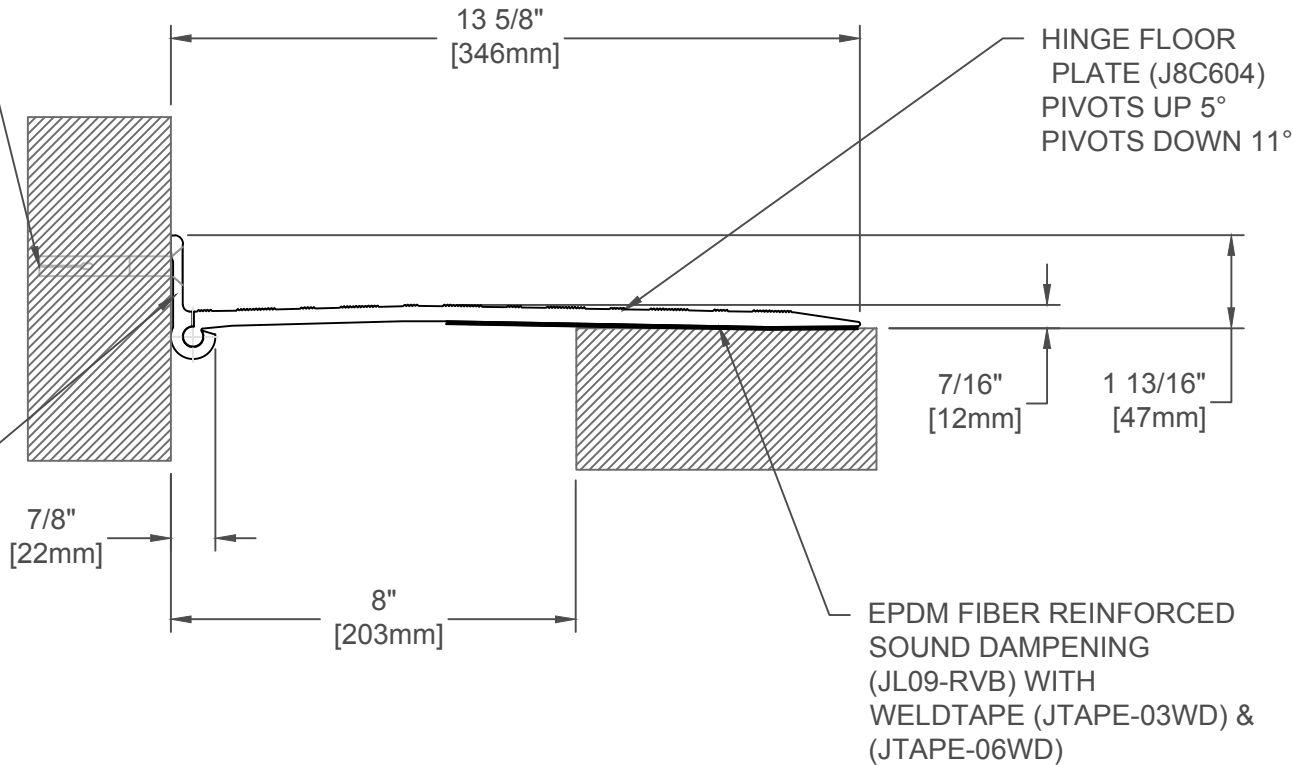
CUSTOMER:

LOCATION:

**inpro.**

3" x 2 1/4" [M6x56] FLAT HEAD CONC. SLEEVE ANCHOR (JK131-H) (7 PER FRAME @ 18" [457MM] O.C.)

HINGED WALL PLATE ANCHORED (J8E105)



### 806SD-A02-200

Joint Width		Movement ± Horizontal	
US	mm	US	mm
8"	203	4"	102

FINISH: MILL

**JOINTMASTER**  
EXPANSION JOINT SYSTEMS  
A DIVISION OF INPRO

DATE: 10-31-13

SCALE: 1:4

DOC: CADJM.130/Rev4

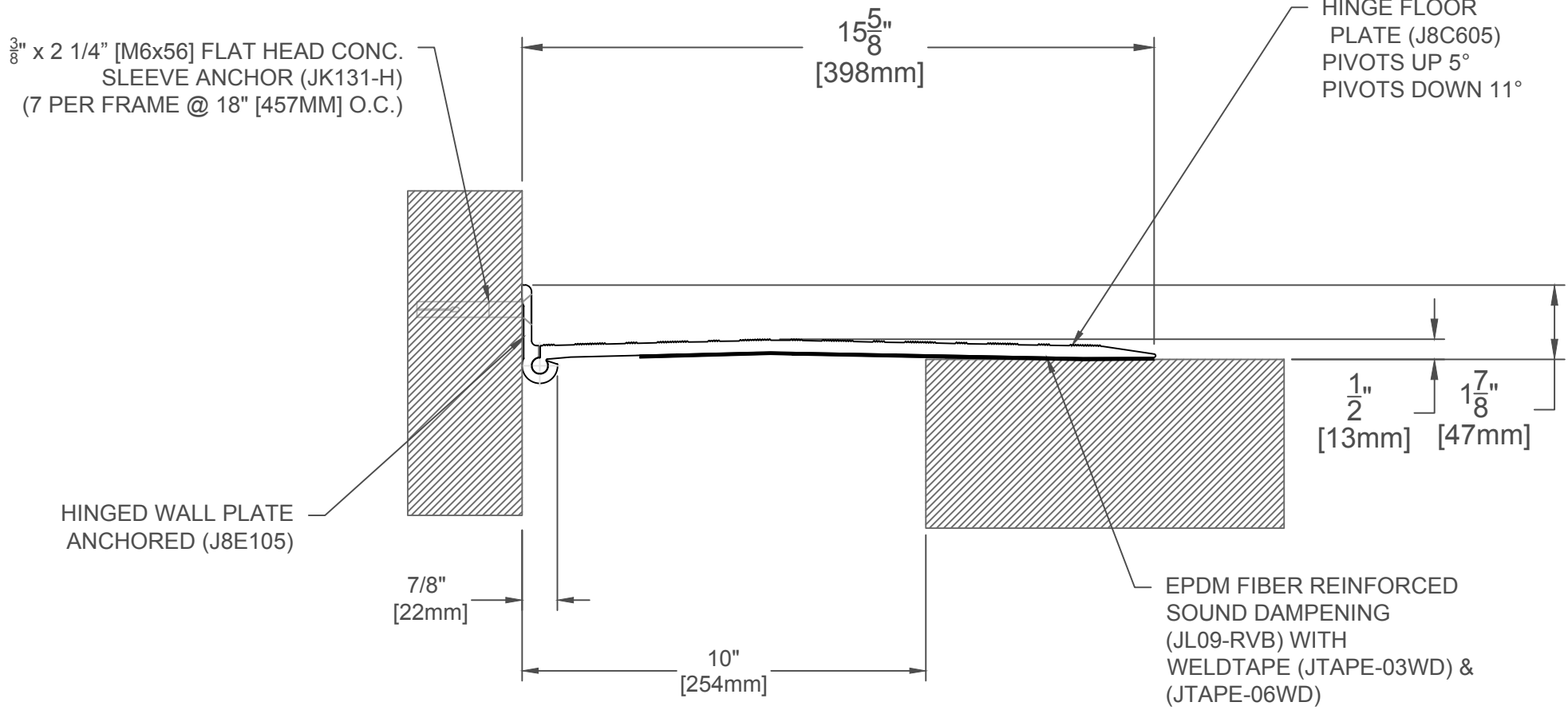
APPLICATION-  
FLOOR/WALL HINGED METAL COVER PLATE  
W/APPLIED SOUND DAMPENING

PROJECT:

CUSTOMER:

LOCATION:





### 806SD-A02-250

Joint Width		Movement ± Horizontal	
US	mm	US	mm
10"	254	5"	127

FINISH: MILL

**JOINTMASTER**  
EXPANSION JOINT SYSTEMS  
A DIVISION OF INPRO

DATE: 10-31-13

SCALE: 1:4

DOC: CADJM.130/Rev4

APPLICATION-  
FLOOR/WALL HINGED METAL COVER PLATE  
W/APPLIED SOUND DAMPENING

PROJECT:

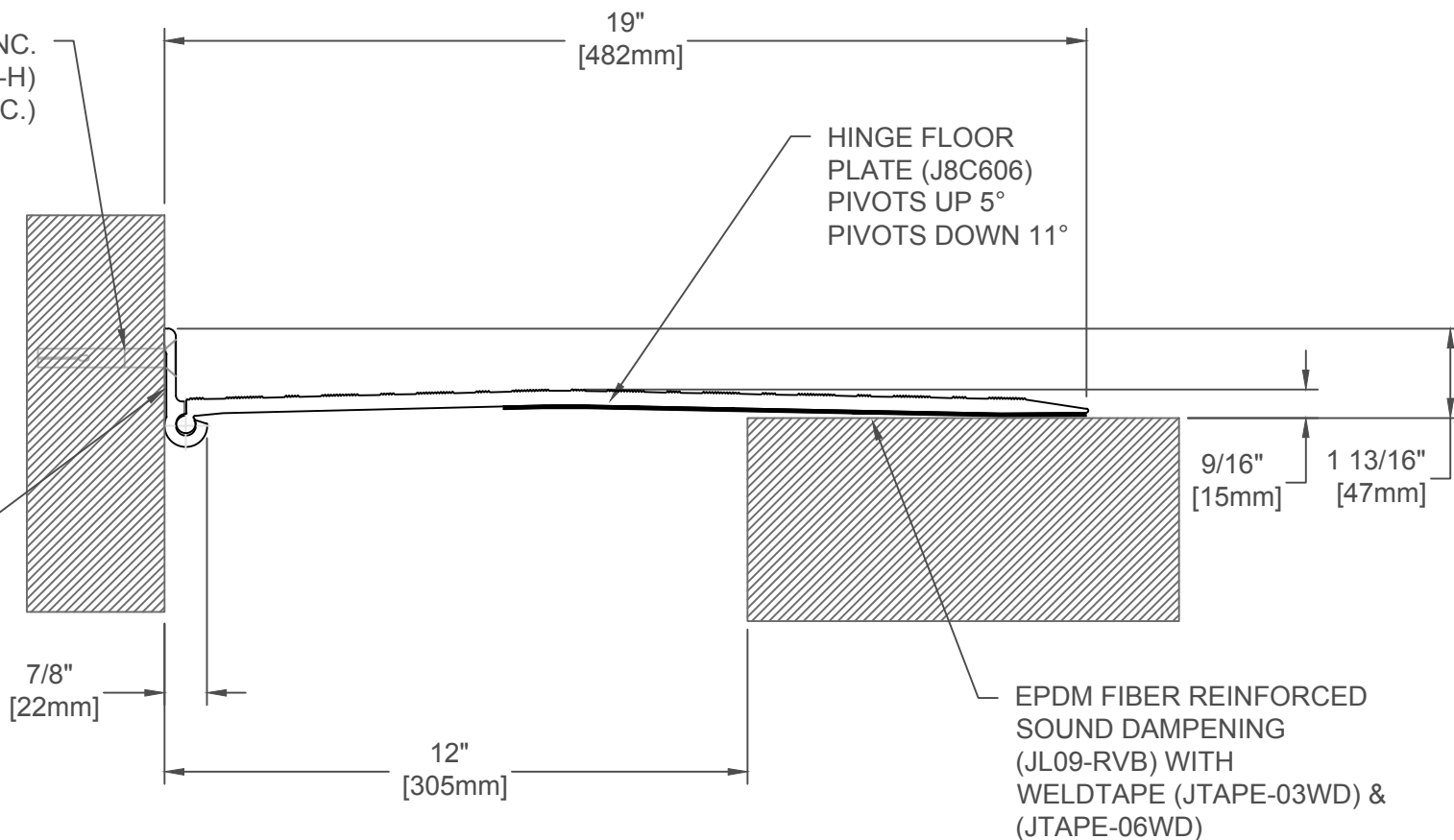
CUSTOMER:

LOCATION:



3/8" x 2 1/4" [M6x56] FLAT HEAD CONC. SLEEVE ANCHOR (JK131-H)  
(7 PER FRAME @ 18" [457MM] O.C.)

HINGED WALL PLATE ANCHORED (J8E105)



### 806SD-A02-300

Joint Width		Movement ± Horizontal	
US	mm	US	mm
12"	305	6"	152

FINISH: MILL

**JOINTMASTER**  
EXPANSION JOINT SYSTEMS  
A DIVISION OF INPRO

DATE: 10-31-13

SCALE: 1:4

DOC: CADJM.130/Rev4

APPLICATION-  
FLOOR/WALL METAL COVER PLATE  
W/APPLIED SOUND DAMPENING

PROJECT:

CUSTOMER:

LOCATION:

**inpro.**