

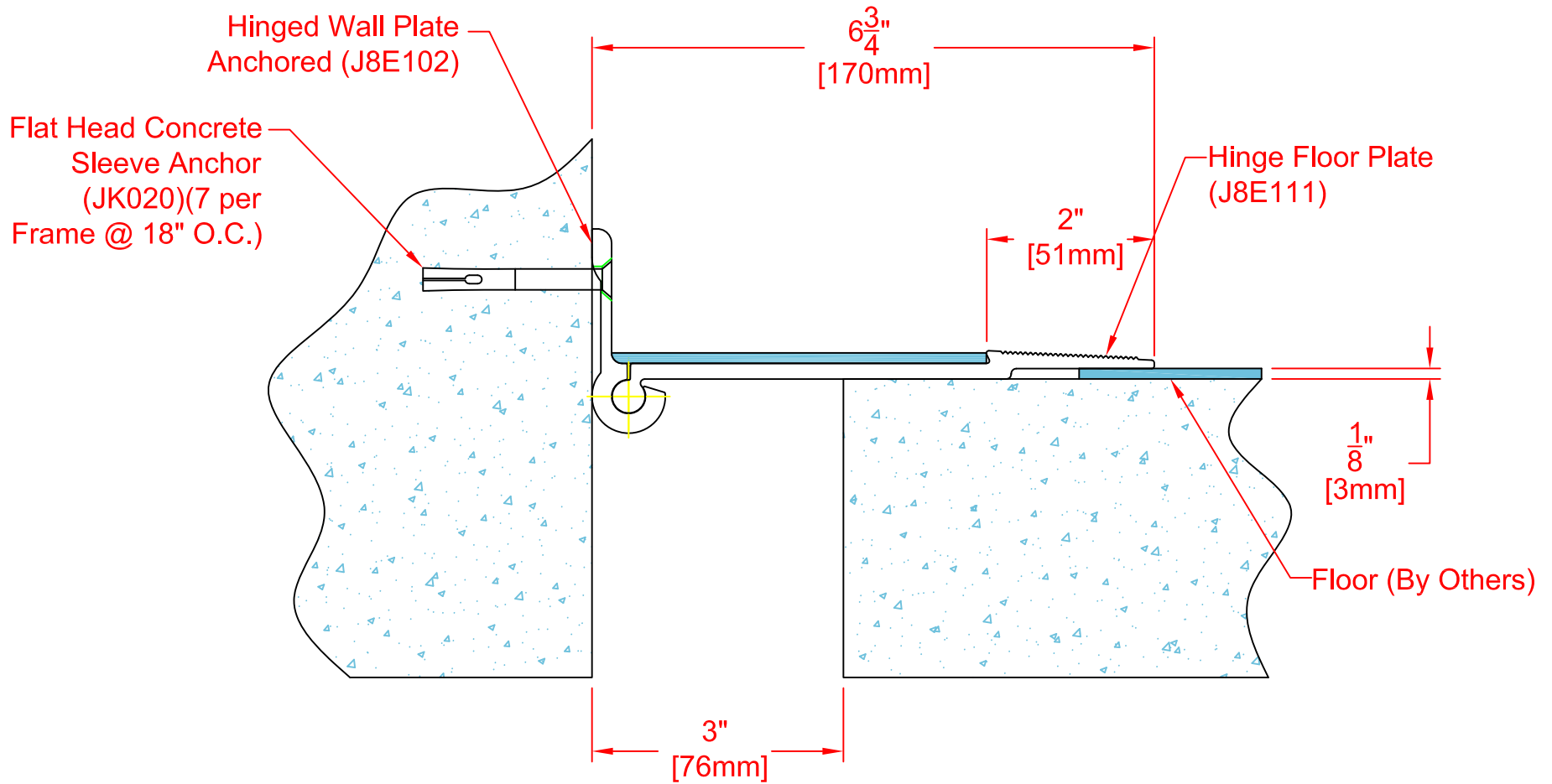
807-A02-050/3

**THERMAL**

Joint Width		Movement ± Horizontal	
US	mm	US	mm
2"	102	1/2"	13

**SEISMIC**

Joint Width		Movement ± Horizontal	
US	mm	US	mm
2"	51	1"	25



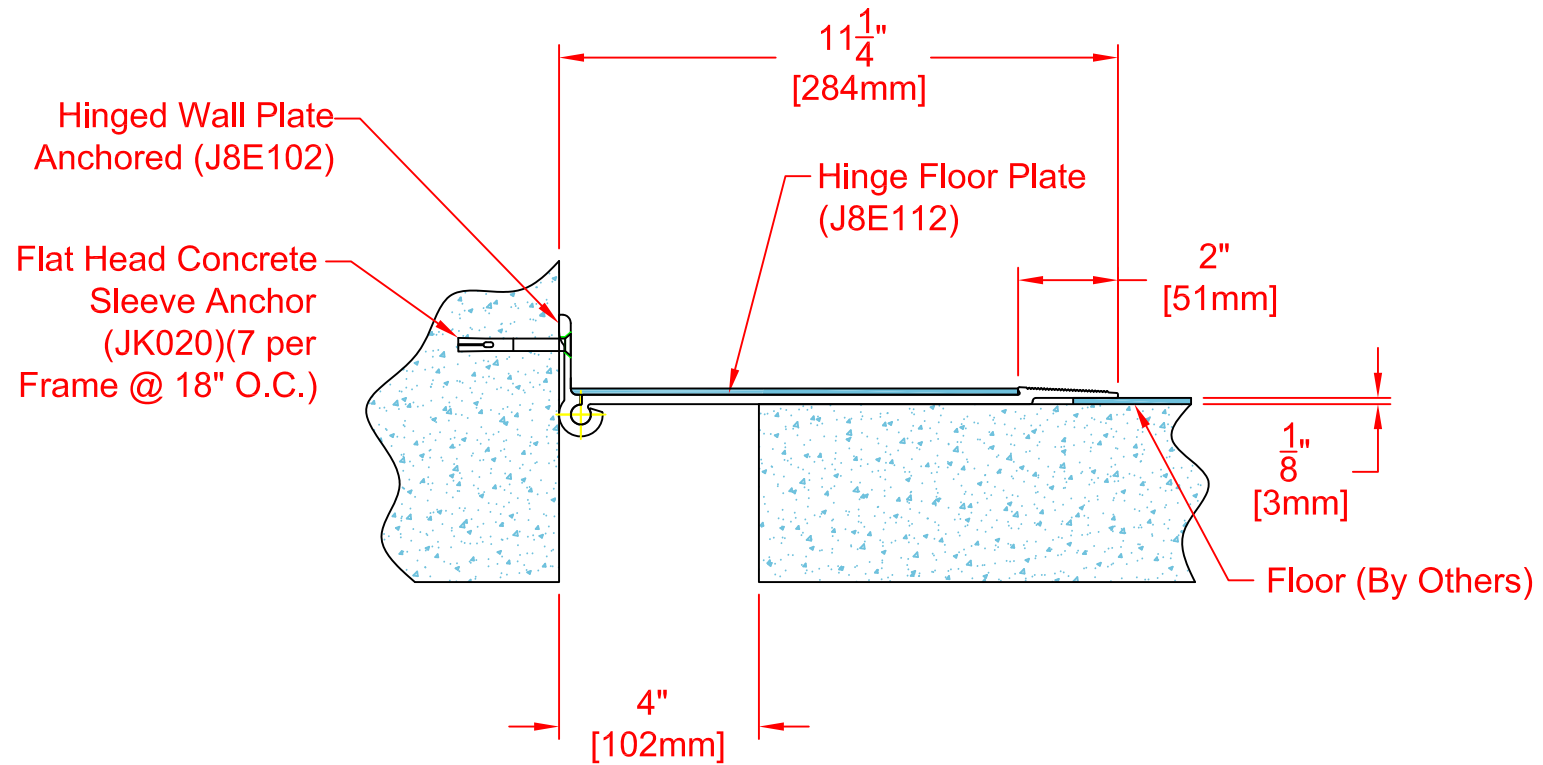
807-A02-075/3

**THERMAL**

Joint Width		Movement ± Horizontal	
US	mm	US	mm
3"	102	1/2"	13

**SEISMIC**

Joint Width		Movement ± Horizontal	
US	mm	US	mm
3"	102	1 1/2"	38



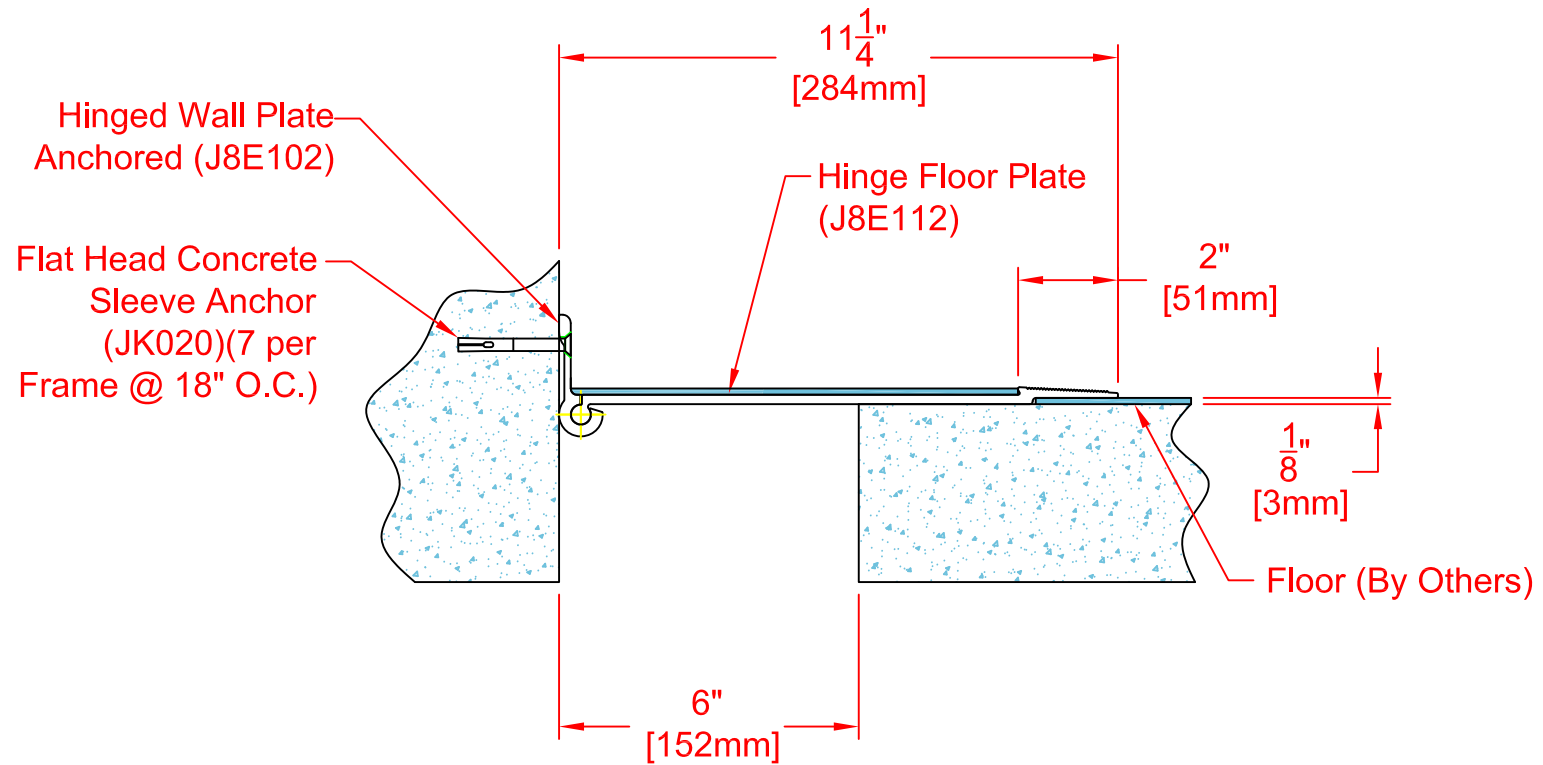
807-A02-100/3

**THERMAL**

Joint Width		Movement ± Horizontal	
US	mm	US	mm
4"	102	1/2"	13

**SEISMIC**

Joint Width		Movement ± Horizontal	
US	mm	US	mm
4"	102	2"	51



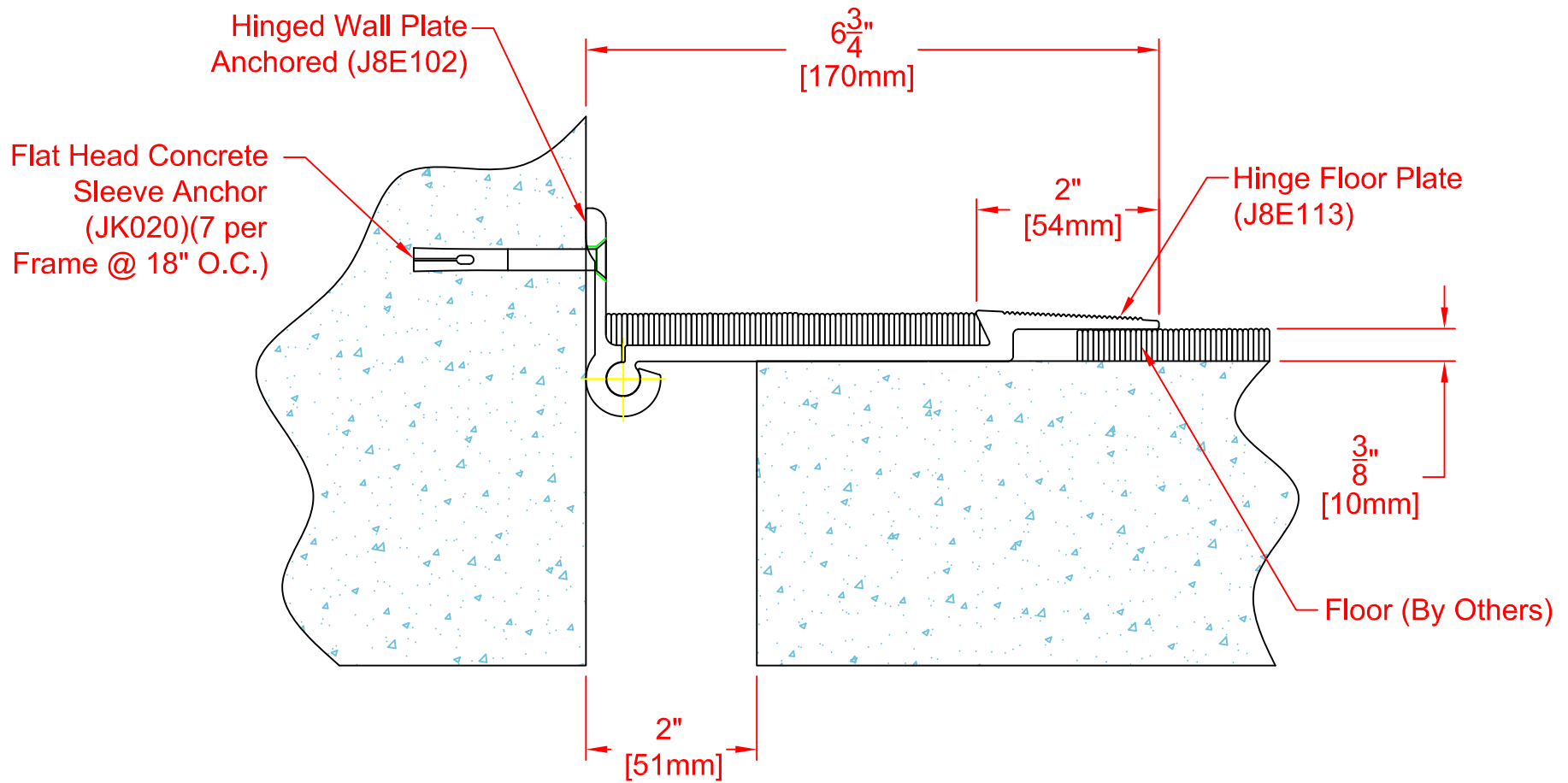
807-A02-150/3

**THERMAL**

Joint Width		Movement ± Horizontal	
US	mm	US	mm
6"	152	1/2"	13

**SEISMIC**

Joint Width		Movement ± Horizontal	
US	mm	US	mm
6"	152	3"	76



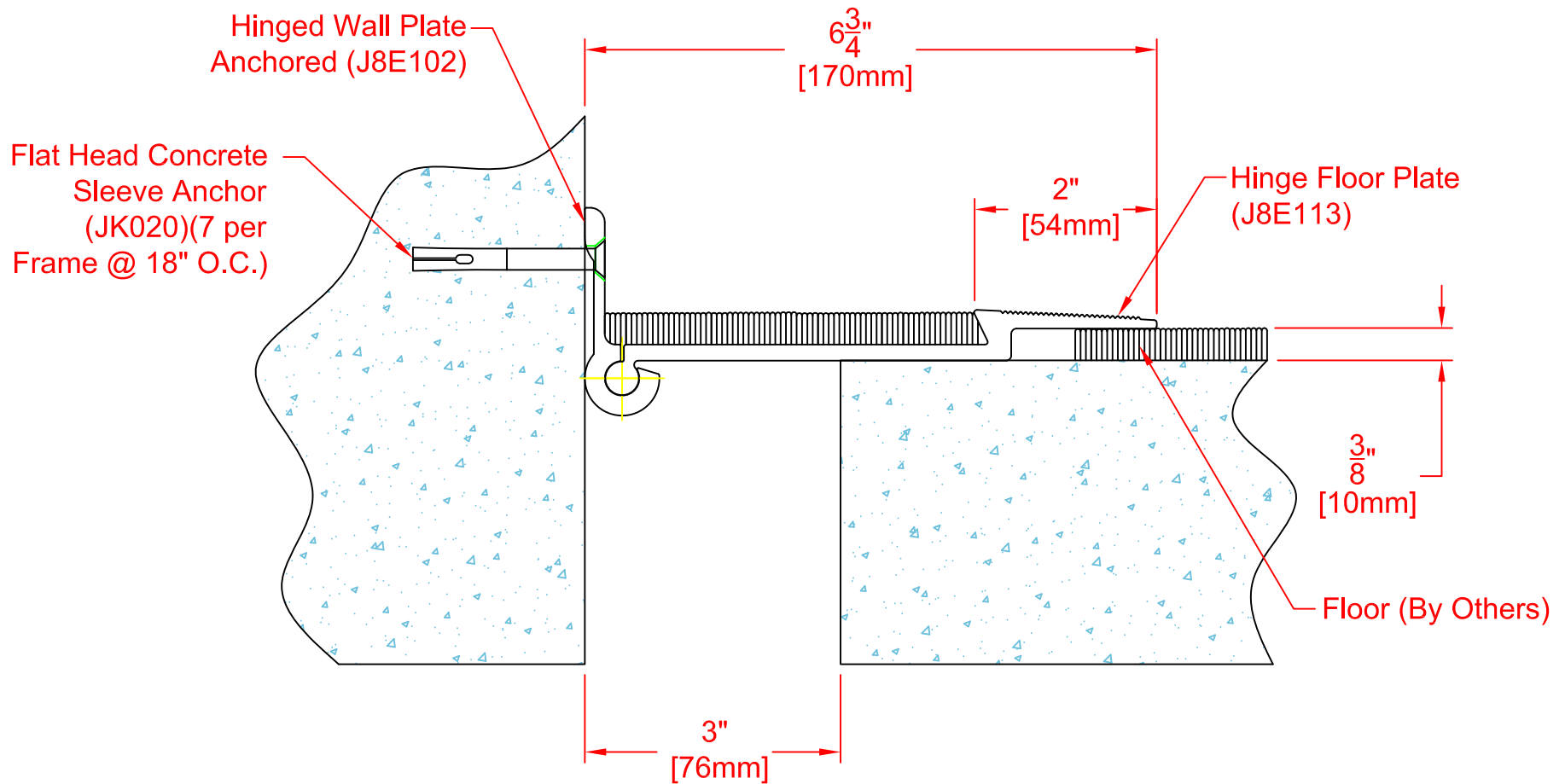
807-A02-050/10

**THERMAL**

Joint Width		Movement ± Horizontal	
US	mm	US	mm
2"	51	1/2"	13

**SEISMIC**

Joint Width		Movement ± Horizontal	
US	mm	US	mm
2"	51	1"	25



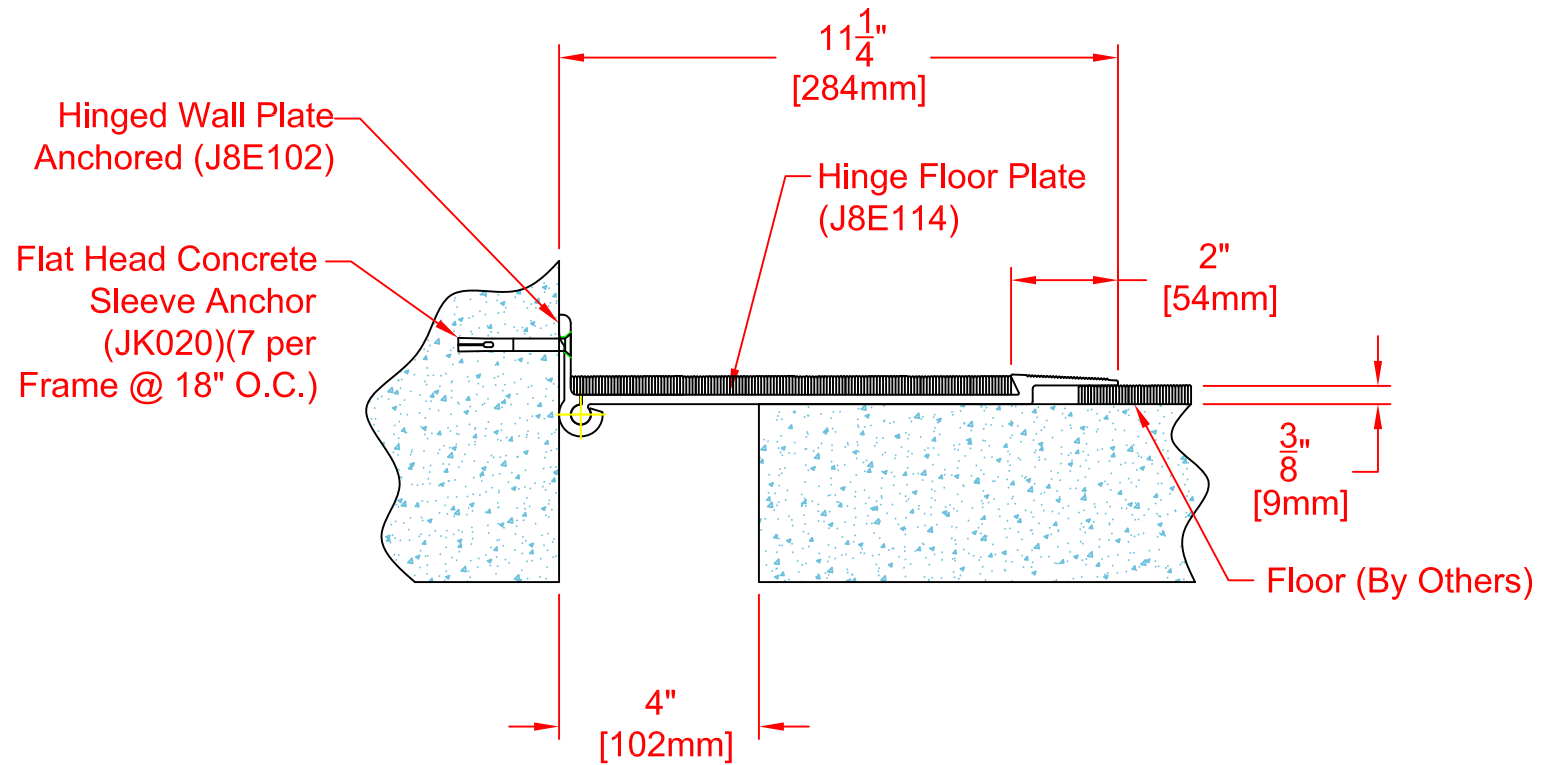
807-A02-075/10

**THERMAL**

Joint Width		Movement ± Horizontal	
US	mm	US	mm
3"	102	1/2"	13

**SEISMIC**

Joint Width		Movement ± Horizontal	
US	mm	US	mm
3"	102	1 1/2"	38



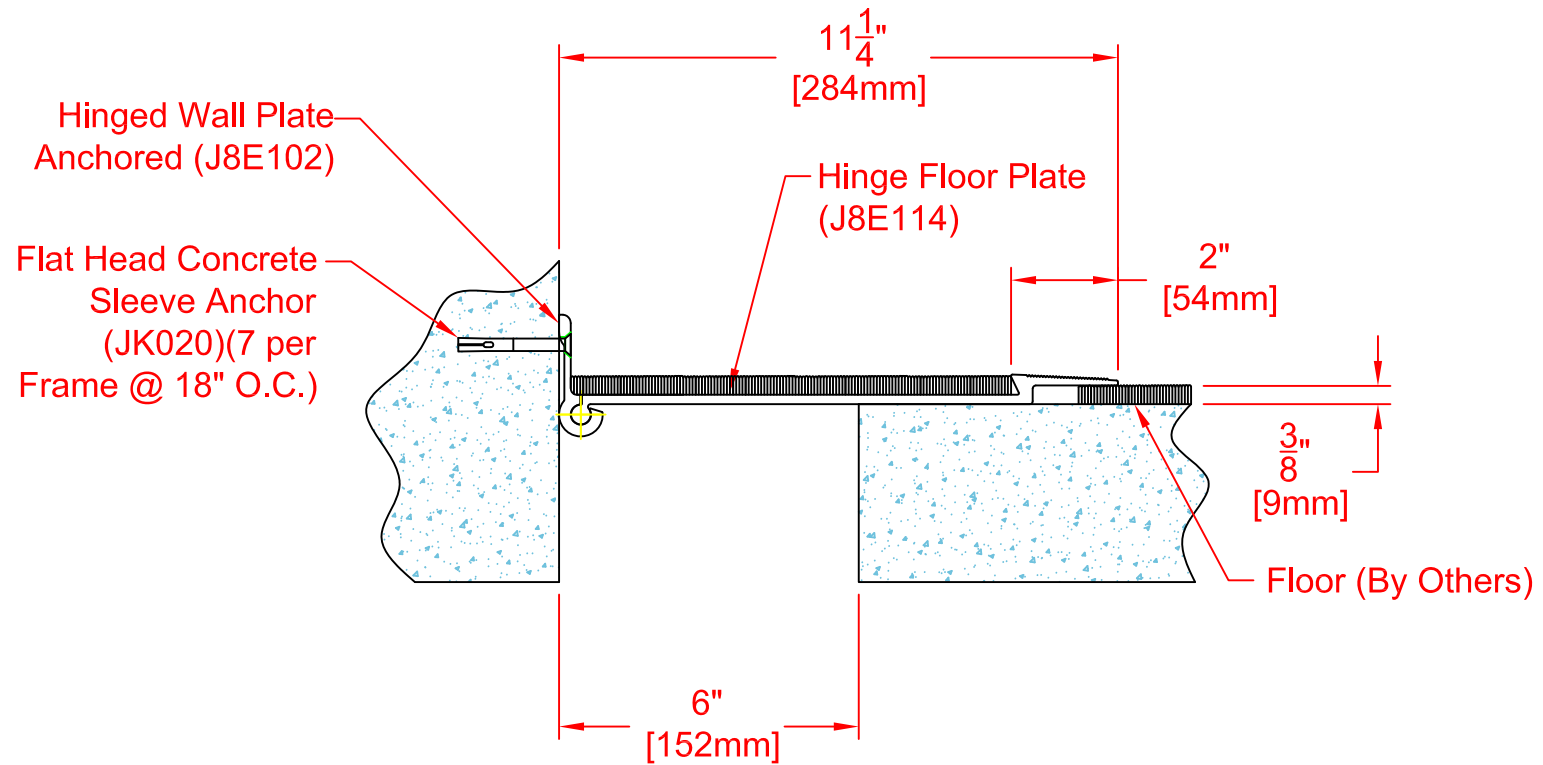
807-A02-100/10

**THERMAL**

Joint Width		Movement ± Horizontal	
US	mm	US	mm
4"	102	1/2"	13

**SEISMIC**

Joint Width		Movement ± Horizontal	
US	mm	US	mm
4"	102	2"	51



807-A02-150/10

**THERMAL**

Joint Width		Movement ± Horizontal	
US	mm	US	mm
6"	152	1/2"	13

**SEISMIC**

Joint Width		Movement ± Horizontal	
US	mm	US	mm
6"	152	3"	76