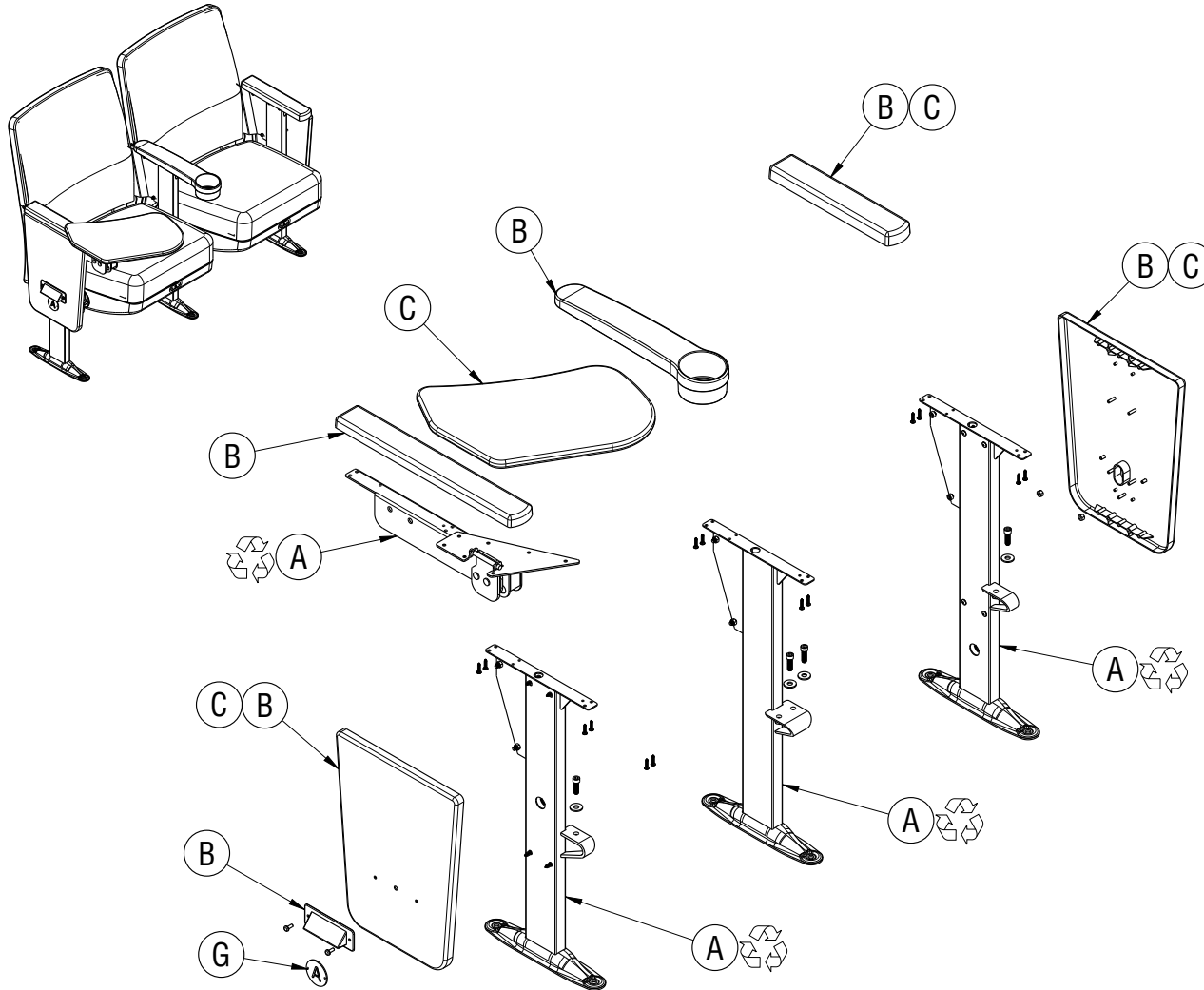


# Disassembly Instructions



## Extol Auditorium Seating

Material Type:      A. Steel                  B. Plastic                  C. Wood                  D. Foam                  E. Fabric                  F. Cast Iron                  G. Brass



### Procedure:

1. Remove seat pivot caps to remove the screw, washer and nut holding each side of the seat to the seat support column and remove the seat assembly.
2. Remove the screws and nuts holding the backrest onto the back supports and remove the backrest assembly.
3. Remove the screws holding the arm cap, cup holder and or tablet onto the top of the seat support column and remove the arm cap, cup holder and or tablets.
4. Remove the nuts holding the column onto the floor and remove the column.

(Continued next page)

### General Notes:

1. Disassembly time: 15-30 minutes
2. This procedure assumes basic familiarity with hand tools and furniture terminology: no specialized training is required
3. All materials removed and disassembled shall be sorted and segregated with like materials and disposed of or recycled according to recycling availability or waste acceptance
4. For items to be recycled, refer to KI's End of Life Recycling Matrix and KI's End of Life Recovery Options Matrix, available at [www.ki.com](http://www.ki.com)

All fasteners not explicitly tagged or shown are Material Type A: Steel

Required Tools								
	Gloves	Safety Glasses	Philips Screwdriver	Utility Knife	Pry Bar	Allen Wrench	Pliers	Rubber Mallet

# Disassembly Instructions

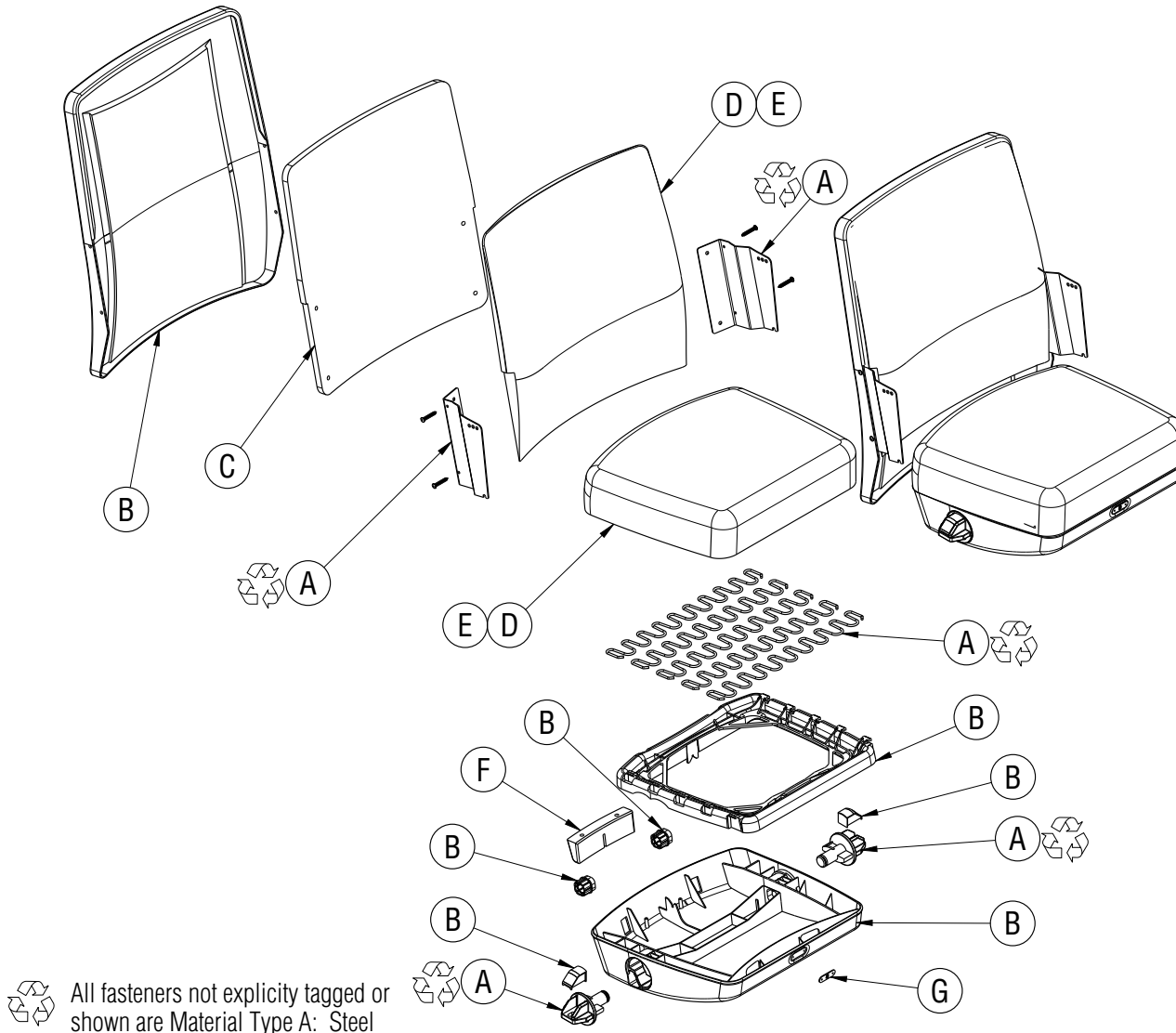


## Extol Auditorium Seating

Material Type:      A. Steel                  B. Plastic                  C. Wood                  D. Foam                  E. Fabric                  F. Cast Iron                  G. Brass

### Procedure:

- Remove the screws holding the backrest shroud onto the backrest assembly and remove the shroud. Remove the screws holding the backrest support brackets to the backrest and remove the brackets.
- Remove the seat shroud by removing the staples and fabric. Unsnap the springs from the manifold. Unsnap the seat collar from the seat pivots. Remove the screws from the counter weight and name plate.



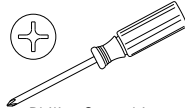
### Required Tools



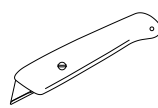
Gloves



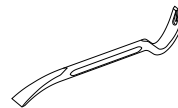
Safety Glasses



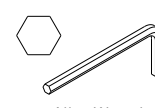
Philips Screwdriver



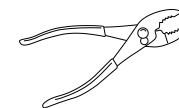
Utility Knife



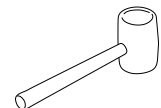
Pry Bar



Allen Wrench



Pliers



Rubber Mallet