

For complete
installation instructions
please refer to 40-70-401

Installation Instructions for **UnderShield®** **Water Diversion System**

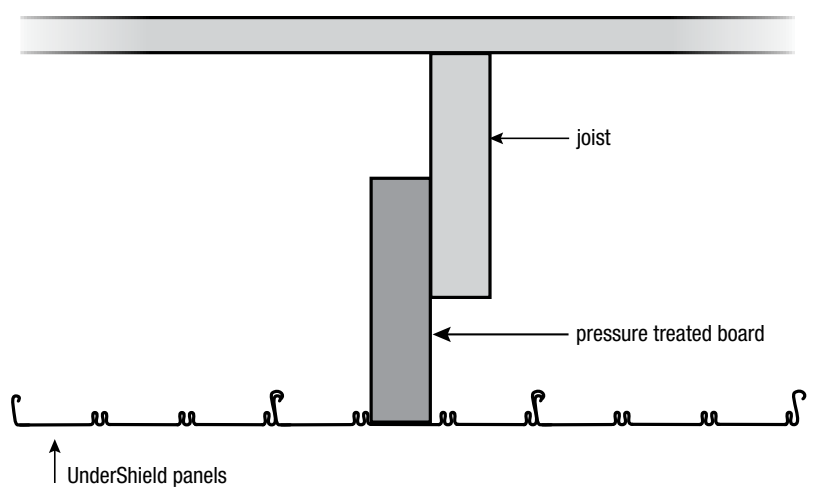
Lifetime Limited Warranty

Light/Ceiling Fan Installation

**IMPORTANT: USE ONLY OUTDOOR RATED/APPROVED CEILING FANS,
LIGHTS AND ACCESSORIES WITH THE UNDERSHIELD SYSTEM**

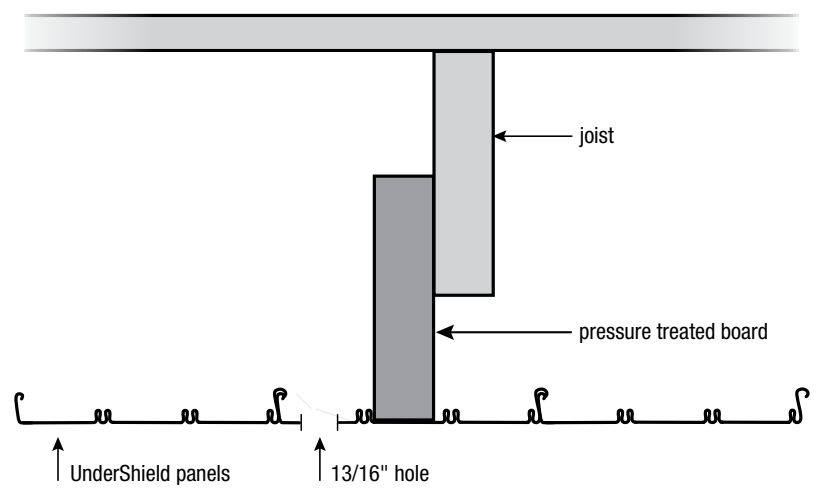
STEP 1

**Install pressure treated board to existing
joist flush with the top side of the panel.**



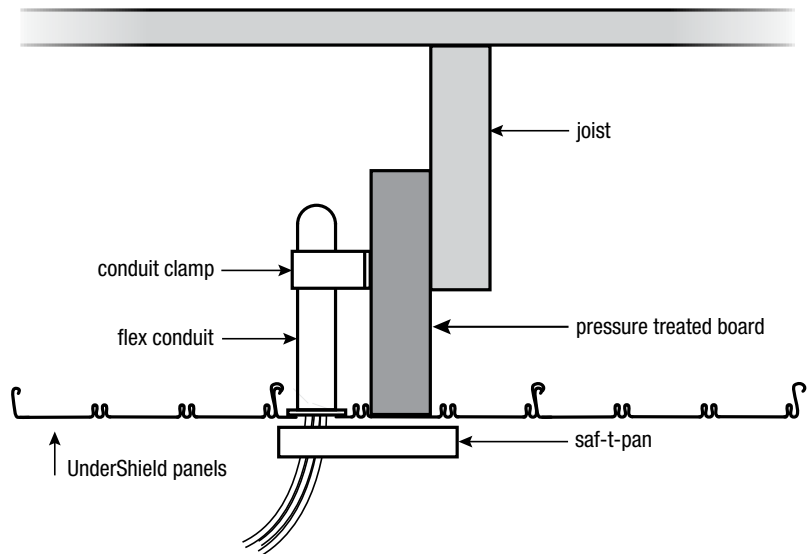
STEP 2

**Drill 13/16" hole in panel next to the
pressure treated board.**



STEP 3

Install 1/2" flex conduit and clamp. Conduit should be flexed over and clamped to prevent water from entering open end. Install Saf-T-Pan.



STEP 4

After installing Saf-T-Pan and 3/4" nut to lock down the conduit, apply caulk to prevent leakage. Install Saf-T-Pan into joist and install fan or light fixture.

