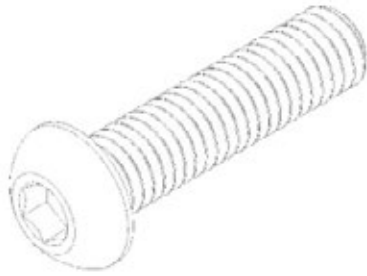
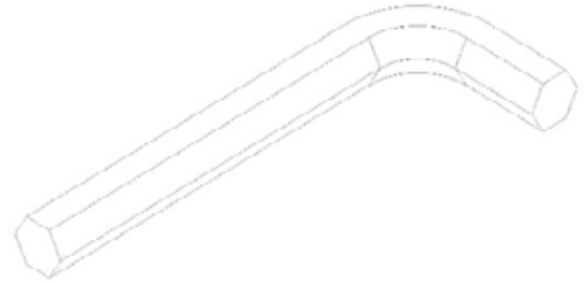


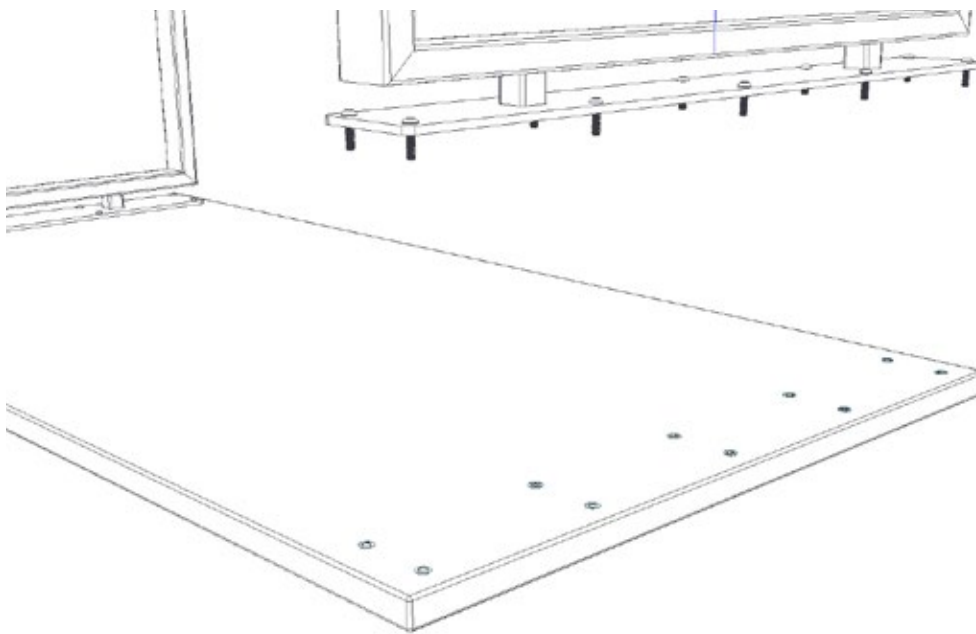
HARDWARE REQUIRED
10 bolts per leg panel



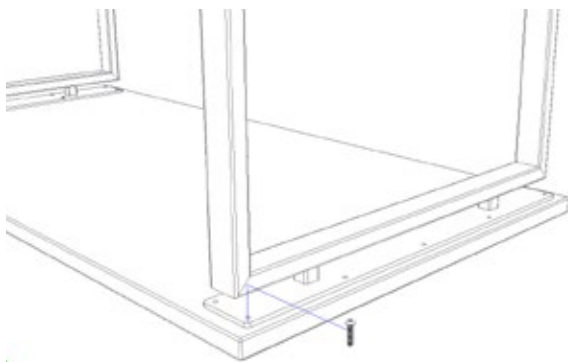
TOOLS REQUIRED
Allen wrench provided



STEP 1
Carefully flip surface over to face down



STEP 2
Align base frame, insert screws and tighten



STEP 3
Flip desk to stand upright. You're all done!

