

new OPTIMA® Shapes
for DESIGNFlex™
with Plant-based Binder
Square Lay-in
fine texture

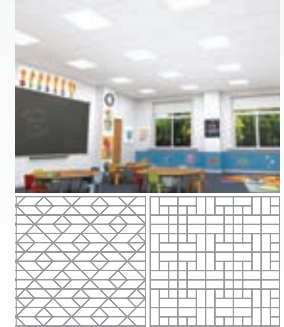


DESIGNFlex™
CEILING SYSTEMS



Personalize Your Design!

Mix and match different sizes, shapes, colors and materials to reinvent your ceiling. More at: armstrongceilings.com/designflex



Optima® Shapes panels with Prelude® XM 15/16" suspension system

Fine-textured ceiling panels available in shapes and tailor-made sizes with Sustain® performance. Available to ship in 3 weeks.

KEY SELECTION ATTRIBUTES

- new** • DesignFlex™ options include shapes, tailor-made sizes, and colors available to ship in 3 weeks
- Mix and match – Shapes also available with Calla®, Lyra®, Ultima®, and MetalWorks™ panels
- Optima® panels are manufactured with a plant-based binder and are part of the Sustain® portfolio and meet the most stringent sustainability compliance standards today
- Excellent sound absorption – NRC (0.95)
- Light reflectance – 0.90
- Lighting and MEP integration with TechZone® or with shaped lights and diffusers available through one of our partner companies or with standard modular and pendant lights
- Washable, Impact-resistant, Scratch-resistant, Soil-resistant
- Product can be recycled through the Armstrong Ceilings Recycling Program
- 10-Year Limited System Warranty against visible sag, mold, and mildew

COLOR



White (WH)

DETAILS



1. Optima® Shapes Square Lay-in
2. Optima® Shapes Square Lay-in with Prelude® XM 15/16" suspension system



**PLANT
BASED
BINDER**

Declare™
Living Building
Challenge Compliant



SUSTAIN™
High Performance
Sustainable
Ceiling Systems

71% RECYCLED CONTENT

LEED®

- energy management
- construction waste mgmt
- regional materials
- design for flexibility
- EPD
- recyclable/extended producer resp.
- biobased materials
- recycled content
- sourcing of raw materials
- material ingredient reporting
- low emitting materials
- lighting quality
- acoustics

LOCATION DEPENDENT

Calculate LEED contribution at armstrongceilings.com/greengenie

Start your design process with a visit to our online pattern gallery at: armstrongceilings.com/patterngallery

See dozens of pre-designed patterns and shapes online in our pattern gallery. We've provided all of the details – from take offs showing on-center spacing to panels, suspension, trims, and accessories. Installation instructions answer questions typically associated with unique ceiling installations. Lighting and air diffusers can also be easily integrated. If you can't find the ceiling pattern you envision for your next space online, call us and we'll help you create a design to personalize your space – 1-877-ARMSTRONG.

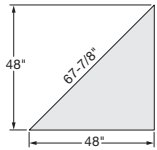


These 8 Optima® Shapes with Square Lay-in edges are available with Prelude® XM 15/16" suspension:

45° SHAPES

Triangles

Right Triangle –
4' Main Beam Spacing



Item No. 100231 **Description/Dimensions (Inches)** Right Triangle – Right 48 x 48 x 1"

Total Acoustics¹

$$\begin{matrix} \text{NRC} \\ \text{CAC} \end{matrix} + \begin{matrix} \text{CAC} \\ \text{NRC} \end{matrix} = \begin{matrix} \text{NRC} \\ \text{CAC} \end{matrix}$$

0.95 N/A –

Parallelograms

No Parallelograms available in 45° shapes

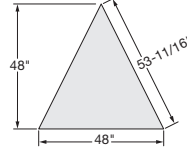
Trapezoids

No Trapezoids available in 45° shapes

60° SHAPES

Triangles

4' Main Beam Spacing



Item No. 100225 **Description/Dimensions (Inches)** Triangle 48 x 48 x 1"

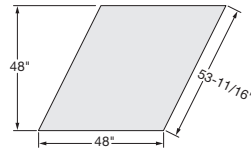
Total Acoustics¹

$$\begin{matrix} \text{NRC} \\ \text{CAC} \end{matrix} + \begin{matrix} \text{CAC} \\ \text{NRC} \end{matrix} = \begin{matrix} \text{NRC} \\ \text{CAC} \end{matrix}$$

0.95 N/A –

Parallelograms

4' Main Beam Spacing

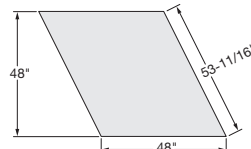


Item No. 100240 **Description/Dimensions (Inches)** Right Parallelogram 48 x 48 x 1"

Total Acoustics¹

$$\begin{matrix} \text{NRC} \\ \text{CAC} \end{matrix} + \begin{matrix} \text{CAC} \\ \text{NRC} \end{matrix} = \begin{matrix} \text{NRC} \\ \text{CAC} \end{matrix}$$

0.95 N/A –



Item No. 100241 **Description/Dimensions (Inches)** Left Parallelogram 48 x 48 x 1"

Total Acoustics¹

$$\begin{matrix} \text{NRC} \\ \text{CAC} \end{matrix} + \begin{matrix} \text{CAC} \\ \text{NRC} \end{matrix} = \begin{matrix} \text{NRC} \\ \text{CAC} \end{matrix}$$

0.95 N/A –

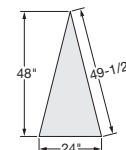
Trapezoids

No Trapezoids available in 60° shapes

75° SHAPES

Triangles

4' Main Beam Spacing



Item No. 100227 **Description/Dimensions (Inches)** Triangle 48 x 24 x 1"

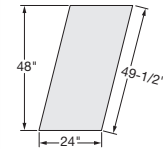
Total Acoustics¹

$$\begin{matrix} \text{NRC} \\ \text{CAC} \end{matrix} + \begin{matrix} \text{CAC} \\ \text{NRC} \end{matrix} = \begin{matrix} \text{NRC} \\ \text{CAC} \end{matrix}$$

0.95 N/A –

Parallelograms

4' Main Beam Spacing

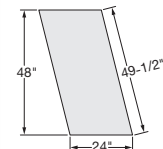


Item No. 100244 **Description/Dimensions (Inches)** Right Parallelogram 48 x 24 x 1"

Total Acoustics¹

$$\begin{matrix} \text{NRC} \\ \text{CAC} \end{matrix} + \begin{matrix} \text{CAC} \\ \text{NRC} \end{matrix} = \begin{matrix} \text{NRC} \\ \text{CAC} \end{matrix}$$

0.95 N/A –



Item No. 100245 **Description/Dimensions (Inches)** Left Parallelogram 48 x 24 x 1"

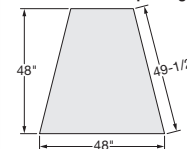
Total Acoustics¹

$$\begin{matrix} \text{NRC} \\ \text{CAC} \end{matrix} + \begin{matrix} \text{CAC} \\ \text{NRC} \end{matrix} = \begin{matrix} \text{NRC} \\ \text{CAC} \end{matrix}$$

0.95 N/A –

Trapezoids

4' Main Beam Spacing



Item No. 100235 **Description/Dimensions (Inches)** Trapezoid 48 x 48 x 1"

Total Acoustics¹

$$\begin{matrix} \text{NRC} \\ \text{CAC} \end{matrix} + \begin{matrix} \text{CAC} \\ \text{NRC} \end{matrix} = \begin{matrix} \text{NRC} \\ \text{CAC} \end{matrix}$$

0.95 N/A –

¹ Total Acoustics® ceiling panels have an ideal combination of noise reduction and sound-blocking performance in one product. **GOOD** (NRC 0.60-0.65; CAC 35+) **BETTER** (NRC 0.70-0.75; CAC 35+) **BEST** (NRC 0.80+; CAC 35+)



OPTIMA® Shapes
for **DESIGNFlex™**
with Plant-based Binder
Square Lay-in
fine texture



Declare™
Living Building
Challenge Compliant



71% RECYCLED CONTENT


Calculate LEED contribution at
armstrongceilings.com/greengenie

LEED®	energy management	construction waste mgmt	regional materials	design for flexibility	EPD	recyclable/extended producer resp.	biobased materials	recycled content	sourcing of raw materials	material ingredient reporting	low emitting materials	lighting quality	acoustics
-------	-------------------	-------------------------	--------------------	------------------------	-----	------------------------------------	--------------------	------------------	---------------------------	-------------------------------	------------------------	------------------	-----------








LOCATION DEPENDENT

SUSPENSION SYSTEMS COMPONENTS & ACCESSORIES System utilizes Prelude® XL® main beams








45° SHAPES

Item No.	Description
73AB45L	 Prelude® 45° Left Angle Bracket
73AB45R	 Prelude® 45° Right Angle Bracket
73AB45D	 Prelude® 45° Double Angle Bracket
73CB45	 Prelude® 45° Corner Bracket
XM734548	 Prelude® 45° Base Cross Tee – 48" Main Beam Spacing
XM7348	 Prelude® Perimeter Cross Tee – 48" Main Beam Spacing
PCC	 Axiom® Perimeter Corner Clip
PAC	 Perimeter Angle Clip

60° SHAPES

Item No.	Description
73AB60L	 Prelude® 60° Left Angle Bracket
73AB60R	 Prelude® 60° Right Angle Bracket
73AB60D	 Prelude® 60° Double Angle Bracket
XM736048	 Prelude® 60° Base Cross Tee – 48" Main Beam Spacing
XM7348	 Prelude® Perimeter Cross Tee – 48" Main Beam Spacing
PCC	 Axiom® Perimeter Corner Clip
PAC	 Perimeter Angle Clip

75° SHAPES

Item No.	Description
73AB75L	 Prelude® 75° Left Angle Bracket
73AB75R	 Prelude® 75° Right Angle Bracket
73AB75D	 Prelude® 75° Double Angle Bracket
XM737548	 Prelude® 75° Base Cross Tee – 48" Main Beam Spacing
XM7348	 Prelude® Perimeter Cross Tee – 48" Main Beam Spacing
PCC	 Axiom® Perimeter Corner Clip
PAC	 Perimeter Angle Clip

For additional suspension components, trims, and clips, please consult the full installation instructions at www.armstrongceilings.com/shapesinstallation
For additional product details see the Prelude® XM for DesignFlex™ Shapes data page.

PARTNER COMPANIES For more information on our partner companies, please visit armstrongceilings.com/partners

Compatible with:
Axis Lighting, and Price.



Lighting, diffusers and shaped infill panels are available for 24" and 48" base items. Add **L I N E** to the end of the panel item number to order an infill. Metal diffuser inflills are available from the diffuser manufacturer.

SUSPENSION SYSTEMS

15/16"



Prelude® XM
for Shapes

PHYSICAL DATA

Material
Fiberglass with DuraBrite® acoustically transparent membrane

Surface Finish
DuraBrite with factory-applied latex paint

Fire Performance
ASTM E84 and CAN/ULC S102 surface burning characteristics. Flame Spread Index 25 or less. Smoke Developed Index 50 or less (UL labeled).

ASTM E1264 Classification
Type XII, Form 2, Pattern E
Fire Class A

Humidity/Sag Resistance
HumiGuard® Plus ceiling panels are recommended for areas subject to high humidity, up to, but not including, standing water and outdoor applications.

Mold/Mildew Protection
Ceiling panels with BioBlock® performance resist the growth of mold and mildew.

VOC Emissions

Third-party certified compliant with California Department of Public Health CDPH/EHLB/Standard Method Version 1.1, 2010. This standard is the guideline for low emissions in LEED, CalGreen Title 24, ANSI/ASHRAE/USGBC/IES Standard 189; ANSI/GBI Green Building Assessment Protocol.

High Recycled Content

Classified as containing greater than 50% total recycled content. Total recycled content based on product composition of post-consumer and pre-consumer (post-industrial) recycled content per FTC guidelines.

Seismic Restraint

Prelude® XM for Shapes suspension systems have been engineered, tested, and approved for use with DesignFlex™ Shapes panels for application in all seismic areas when installed per Armstrong® Ceilings installation instructions. For more details, visit armstrongceilings.com/shapesinstallation

Insulation Value

R Factor – 2.2 (BTU units)
R Factor – 0.39 (Watts units)

10-Year Performance Guarantee & Warranty

When installed with Armstrong® Suspension System. Details at armstrongceilings.com/shapesinstallation

Weight; Pieces/Carton

100227 – 1.6 lbs/pc; 12 pcs/ctn
100225 – 3.2 lbs/pc; 6 pcs/ctn
100244, 100245 – 3.2 lbs/pc; 8 pcs/ctn
100231 – 3.2 lbs/pc; 12 pcs/ctn
100235 – 4.8 lbs/pc; 6 pcs/ctn
100240, 100241 – 6.4 lbs/pc; 6 pcs/ctn

Minimum Order Quantity

1 carton

TechLine / 1 877 276 7876
armstrongceilings.com/designflex
(search: optimashapes)

BPCS-5847-518

LEED® is a registered trademark of the U.S. Green Building Council
Declare™ is a service mark of The International Living Future Institute
Price® is a registered trademark of Price Industries Limited
UL is a registered trademark of UL LLC. All other trademarks used herein are the property of AWI Licensing LLC and/or its affiliates
© 2018 AWI Licensing LLC Printed in the United States of America



DESIGNFlex™