

TRANSITION MOLDING

Acoustical-to-drywall transition molding



Why use transition moldings?

- **Easier to detail:**
 - Available CAD drawings
 - One part number
 - Factory painted to match Armstrong® Acoustical Suspension Systems
- **Easier to install:**
 - Fewer parts and pieces; combines acoustical molding with drywall taping flange
 - Pre-punched vertical web to improve screw attachment
 - Knurled and slotted integral taping flange on items 7901, 7902, 7904, 7905, 7906, 7907, 7908 accommodates taping and finishing
 - Protective film on the face of the wall molding flange of 7904PF and 7905PF facilitates faster, easier mudding, sanding, and taping
 - Compatible with all types of framing including Armstrong® Drywall Grid and ShortSpan®
- **NOTE:** Drywall main beams can be run perpendicular or parallel to the transition molding as long as 4' O.C. hanger wire spacing is maintained.



Transition moldings eliminate:

- Vertical drywall return at the transition
- Return framing to support drywall return
- Separate acoustical wall angle installation
- Corner bead and vertical taping

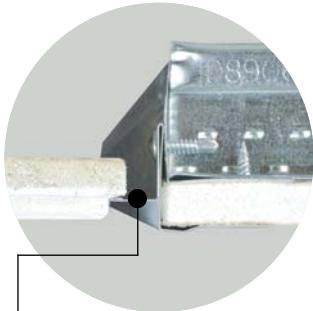
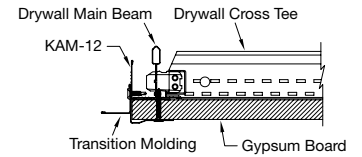
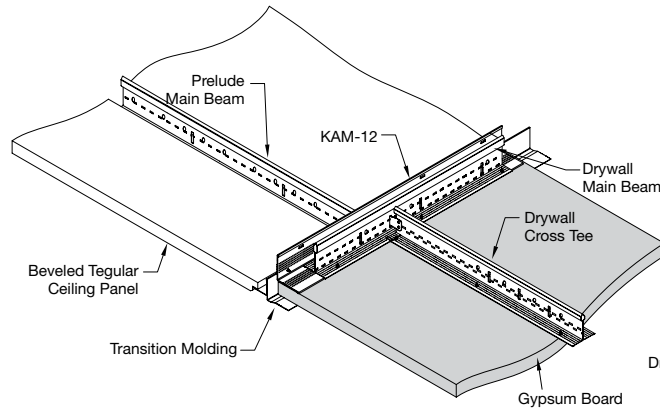
TRANSITION MOLDING

Acoustical-to-drywall transition molding

Preferred installation method, Option A

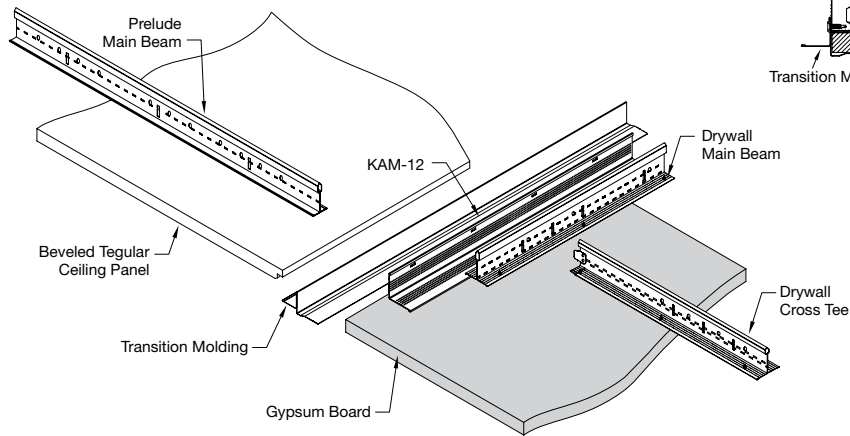
Use These Steps:

1. Install Armstrong drywall main beam
2. Install KAM (Knurled Angle Molding) at 90° bend
3. Install horizontal drywall
4. Install Armstrong Transition Molding
5. Install Armstrong Acoustical Suspension System (Grid)
6. Install Armstrong ceiling panel



Build it like this:

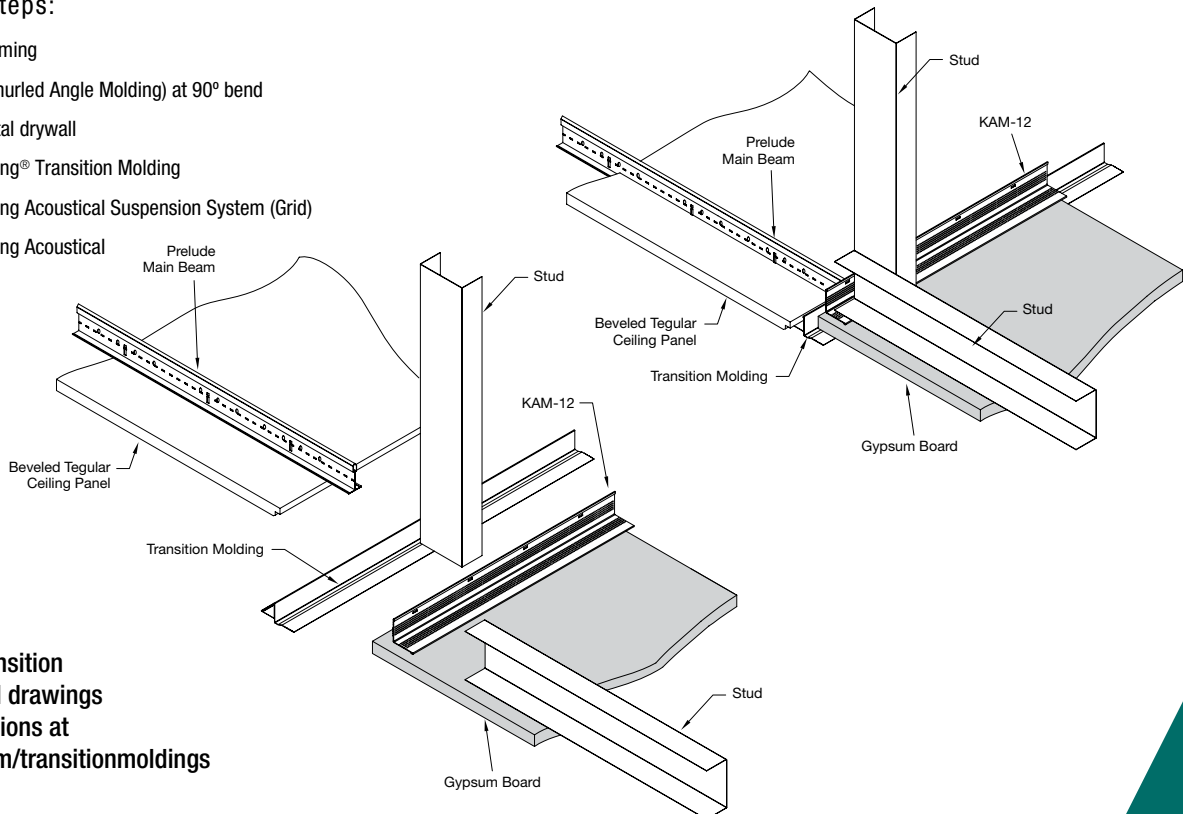
Using Transition Molding Item 7908, in conjunction with Installation Option A, will save you time and installation costs.



Transition molding with traditional stud and track installation method, Option B

Use These Steps:

1. Install stud framing
2. Install KAM (Knurled Angle Molding) at 90° bend
3. Install horizontal drywall
4. Install Armstrong® Transition Molding
5. Install Armstrong Acoustical Suspension System (Grid)
6. Install Armstrong Acoustical ceiling panel



Download Transition Molding detail drawings and specifications at armstrong.com/transitionmoldings

Product Description

Materials

A. General: Commercial-quality cold rolled hot dipped galvanized steel, chemically cleansed, global white color to coordinate with Armstrong® ceiling panels

B. Components:

<p>1. 9/16" Shadow Reveal Transition Molding: 120", 3/8" shadow reveal with 9/16" horizontal flange 120 linear feet/carton</p> <p style="text-align: right;">□ 7901</p>		
<p>2. 15/16" Shadow Reveal Transition Molding: 120", 3/8" shadow reveal with 15/16" horizontal flange 120 linear feet/carton</p> <p style="text-align: right;">□ 7902</p>		
<p>3. 1" Flush T Transition Molding: 120", 1" inverted T for monolithic horizontal transitions 120 linear feet/carton</p> <p style="text-align: right;">□ 7903</p>		
<p>4. 15/16" Flush Transition Molding: 120", 15/16" horizontal flange 120 linear feet/carton</p> <p style="text-align: right;">□ 7904 □ 7904PF*</p> <p>* Protective film applied to face of wall molding flange for easier finishing.</p>		
<p>5. 9/16" Flush Transition Molding: 120", 9/16" horizontal flange 120 linear feet/carton</p> <p style="text-align: right;">□ 7905 □ 7905PF*</p> <p>* Protective film applied to face of wall molding flange for easier finishing.</p>		
<p>6. "F" Vertical Transition Molding: 120" vertical transition 120 linear feet/carton</p> <p style="text-align: right;">□ 7906</p>		
<p>7. 9/16" Tegular Transition Molding: 120", 9/16" horizontal flange 120 linear feet/carton</p> <p style="text-align: right;">□ 7907</p>		
<p>8. 15/16" Tegular Transition Molding: 120", 15/16" horizontal flange 120 linear feet/carton</p> <p style="text-align: right;">□ 7908</p>		

TRANSITION MOLDING

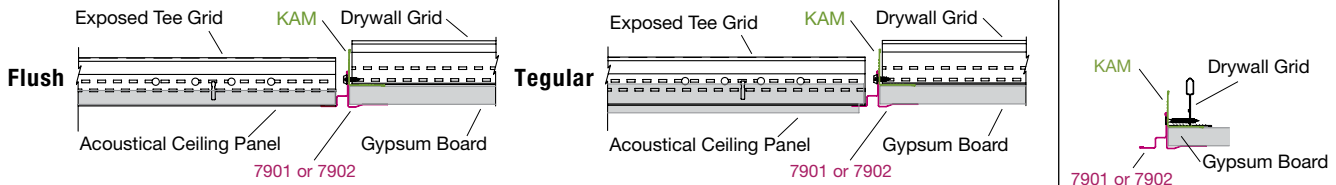
Acoustical-to-drywall transition molding

Accessories

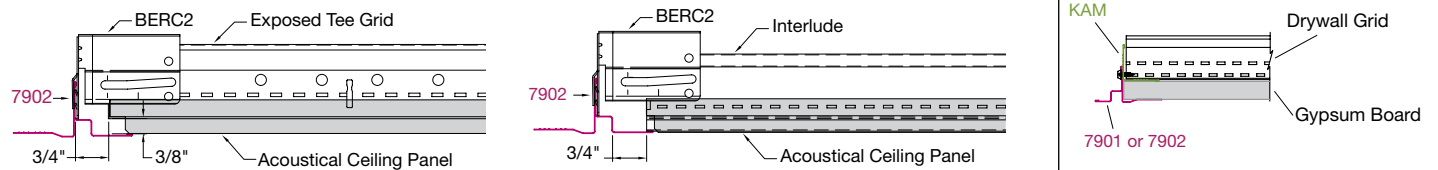
- BERC2 – Beam End Retaining Clip
- KAM – Knurled Angle Molding

Installation Details

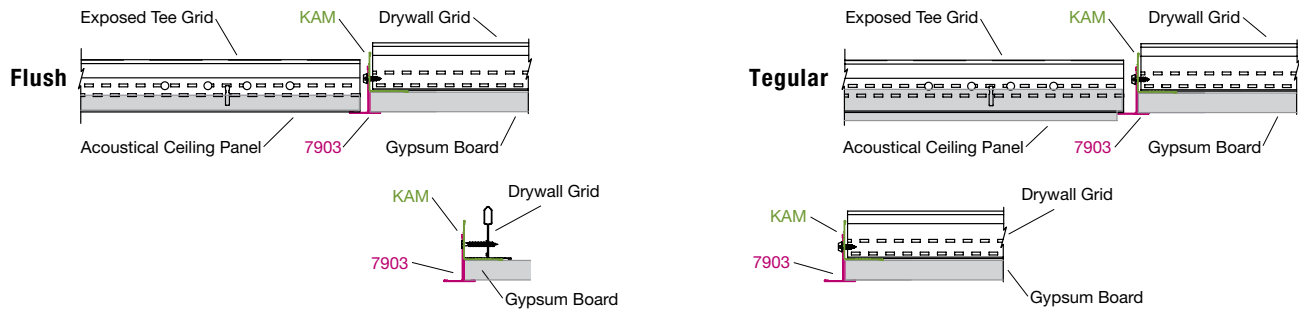
7901 – 9/16" and 7902 – 15/16" Drywall-to-Acoustical (Acoustical Flange with 3/8" reveal)



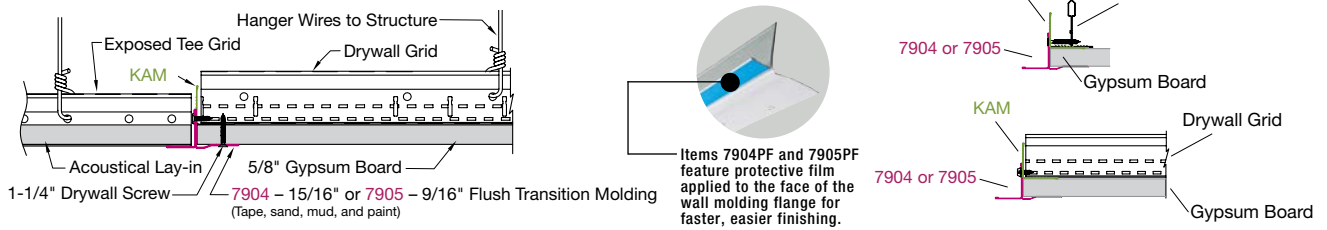
Seismic Rx® Installation - Use 7902 (shown), 7904, or 7908



7903 Drywall-to-Acoustical (1" Inverted T)



7904/7904PF – 15/16" and 7905/7905PF – 9/16" Drywall-to-Acoustical Flush Transition

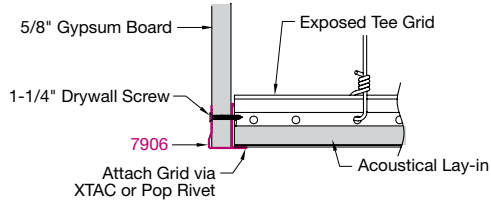


Items 7904PF and 7905PF feature protective film applied to the face of the wall molding flange for faster, easier finishing.

Printed on recyclable paper with vegetable-based inks. Please Recycle.



7906



7907 – 9/16" and 7908 – 15/16" Drywall-to-Acoustical Tegular Transition Molding

