

ARMSTRONG DRYWALL GRID STC & IIC Tested Assemblies

SOUND CONTROL

Trust Armstrong Drywall Grid tested assemblies to meet or exceed IBC – STC/IIC sound isolation requirements.

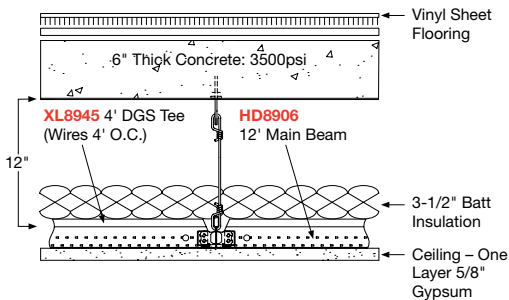
Why Choose Armstrong?

- Easier to detail, specify, and 50% faster to build than traditional track and channel methods
- Armstrong Drywall Grid tested assemblies provide proven results and peace of mind

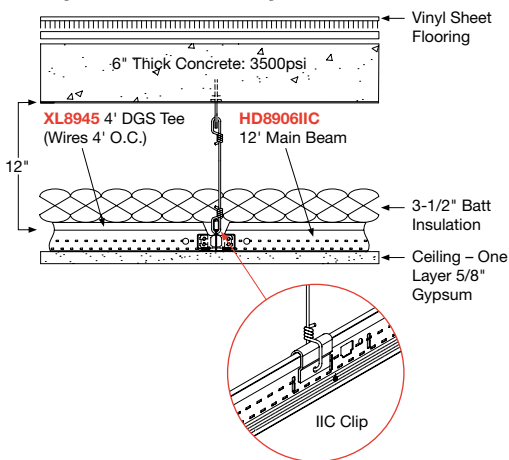
Results You Can Count On

Satisfy IBC requirements with a rating of **50** or above for STC and IIC sound tests – without two layers of drywall using Armstrong Drywall Grid.

Armstrong Standard Drywall Grid Assembly 2



Armstrong IIC Drywall Grid Assembly



Armstrong Standard Drywall Grid Assembly 1 – Lab Tested Data

Item Number	Traditional Assembly	Building Structure	STC	IIC
HD8906 XL8945	12' Main Beam / 4' Cross Tee 3-1/2" Batt Insulation 5/8" Gypsum	Bare Concrete Base 3" Concrete Slab Fluted Steel Decking 8" Bar Joist, 24" O.C.	55	47

Armstrong Standard Drywall Grid Assembly 2 – Lab Tested Data

Item Number	Armstrong Assembly	Building Structure	STC	IIC
HD8906 XL8945	12' Main Beam / 4' Cross Tee 3-1/2" Batt Insulation 5/8" Gypsum	6" Thick Slab Concrete Base with Vinyl Sheet Flooring	57	58

Armstrong IIC Drywall Grid Assembly – Lab Tested Data

Item Number	Armstrong Assembly	Building Structure	STC	IIC
HD8906IIC XL8945 IIC Clip	12' Main Beam / 4' Cross Tee IIC Clip 3-1/2" Batt Insulation 5/8" Gypsum	6" Thick Slab Concrete Base with Vinyl Sheet Flooring	57	66

Inspiring Great Spaces®

Armstrong
CEILING SOLUTIONS

WHY SOUND CONTROL MATTERS

When meeting IBC requirements, all common interior walls, partitions, and floor/ceiling assemblies between adjacent units and between units and hallways, stairs, and service areas need to be insulated to prevent the movement of sound.

The International Building Code (Section 1207.3) provides guidelines to ensure that construction meets suitable sound isolation performance. These guidelines are used for commercial and multiple-family buildings such as: Offices, apartments, hospitals, dormitories, schools, hotels, condominiums, mixed-use buildings.

The IBC uses two sound classes to make sure these guidelines are met:

Sound Transmission Class (STC) – sound transmitted through the air such as voices and music

Impact Insulation Class (IIC) – sound transmitted through the building structure such as foot traffic and objects dropped on the floor

A rating of **50** or above for both STC and IIC sound tests will satisfy the IBC's minimum requirements.

Armstrong Standard Drywall Grid Assembly 1 – Lab Tested Data

STC/IIC Ratings	Description	Changes in STC/IIC Ratings	Description
60	Superior soundproofing	+ / - 1	Almost perceptible
55	EXCELLENT	+ / - 3	Just perceptible
50	Loud speech barely audible	+ / - 5	CLEARLY PERCEPTIBLE
45	Some loud speech audible – not understood	+ / - 10	Twice (or half) as loud
30	Loud speech audible – well understood		
25	Regular speech audible and understood through walls		

More information at: armstrongceilings.com/dgs

