



213.250.6069
 info@opticarts.com
 www.opticarts.com

NITELIGHT™ CLOSET ROD INSTALLATION GUIDE

NOTES

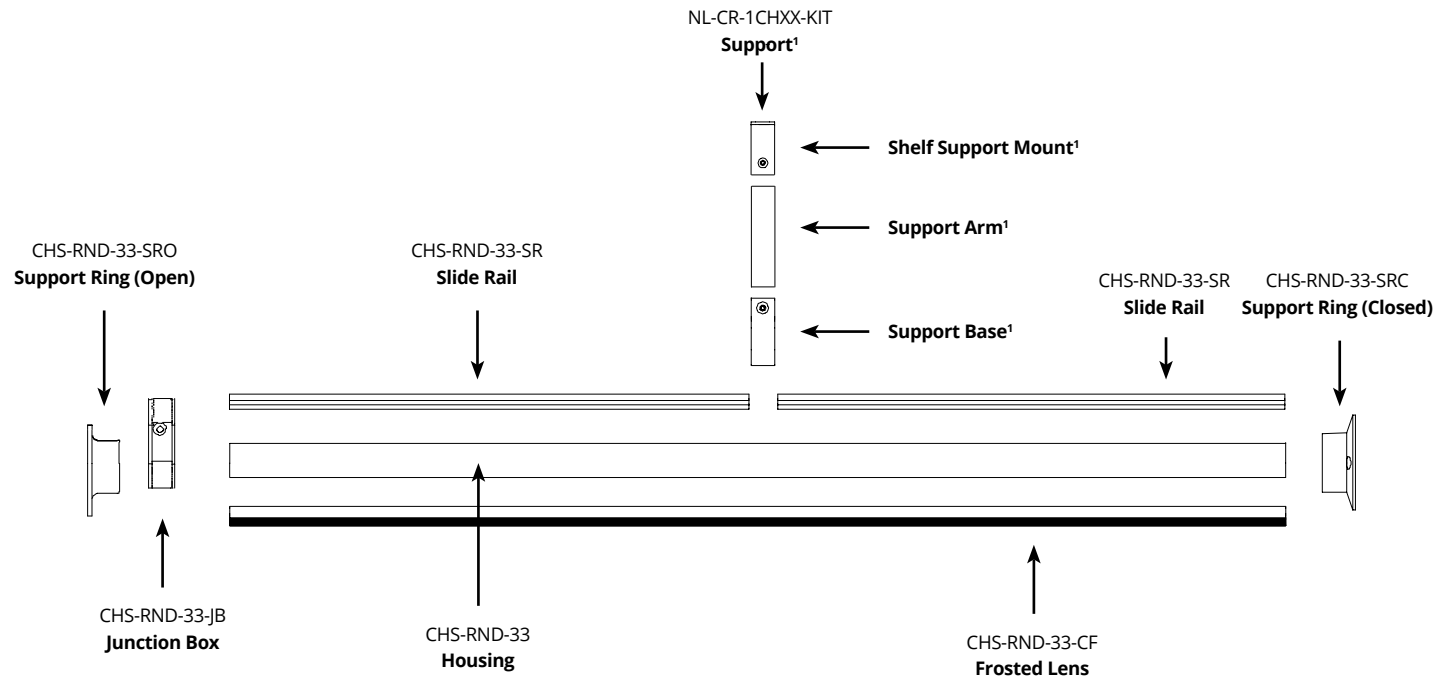
1. All installations must be executed in accordance with local codes.
2. The installing contractor assumes all liability for the safety and code compliance of the installation.
3. Optic Arts is not liable for any damages caused by improper wiring, circuit overloading, power surges, poor system design or layout, negligence or other conditions.

Please read entire guide prior to starting installation.



- For SINGLE CLOSET ROD instructions, start on page 1.
- For DOUBLE CLOSET ROD instructions, start on page 6.

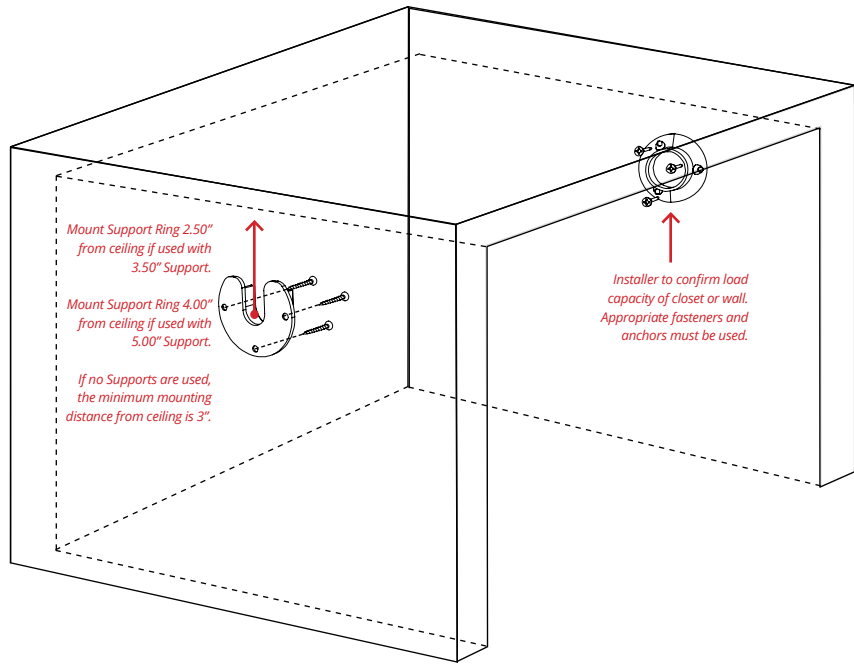
EXPLODED VIEW: Single Closet Rod



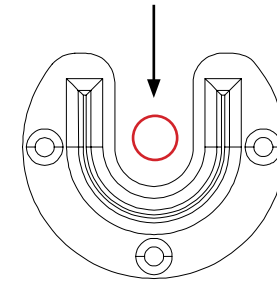
1: If included, Support must be used. An additional 0.63" gap must be field cut out of Slide Rail wherever Support is mounted. Support System can be 3.5" or 5.00" from center of Closet Rod to mounting surface.

SINGLE - CLOSET ROD INSTALLATION

1.



1.1 Install (1) Support Ring on each side of the closet. Install OPEN SUPPORT RING on same side as power feed.



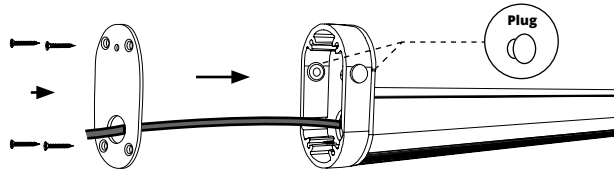
1.2 Drill wire hole in closet wall as shown if wire will not be surface mounted.

NITELIGHT™ CLOSET ROD INSTALLATION GUIDE

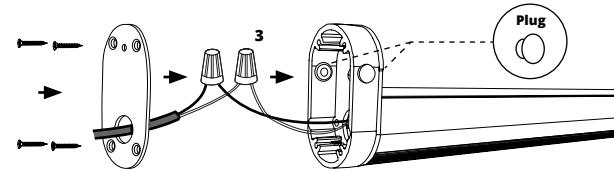
SINGLE - CLOSET ROD INSTALLATION

2.

1 Hidden Wire Option



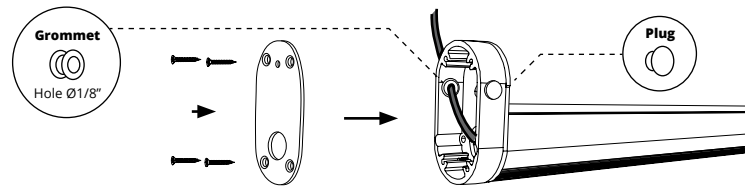
3 Hidden Wire Option



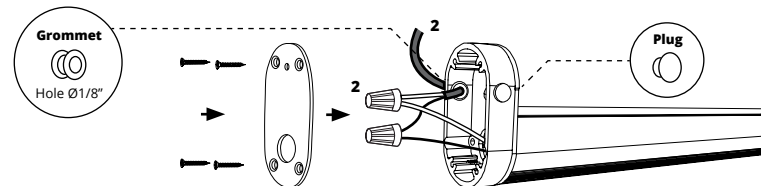
-OR-

-OR-

2 Surface Mounted Wire Option



4 Surface Mounted Wire Option



2.1 If power supply is located less than 6.00' away from Closet Rod, follow steps 1 or 2. If power supply is located more than 6.00' away from Closet Rod, follow steps 3 or 4.

2.2 Cap off remaining side exit hole(s) using plug.

2.3 Close Junction Box by screwing in faceplate.

2.4 Repeat on other side.

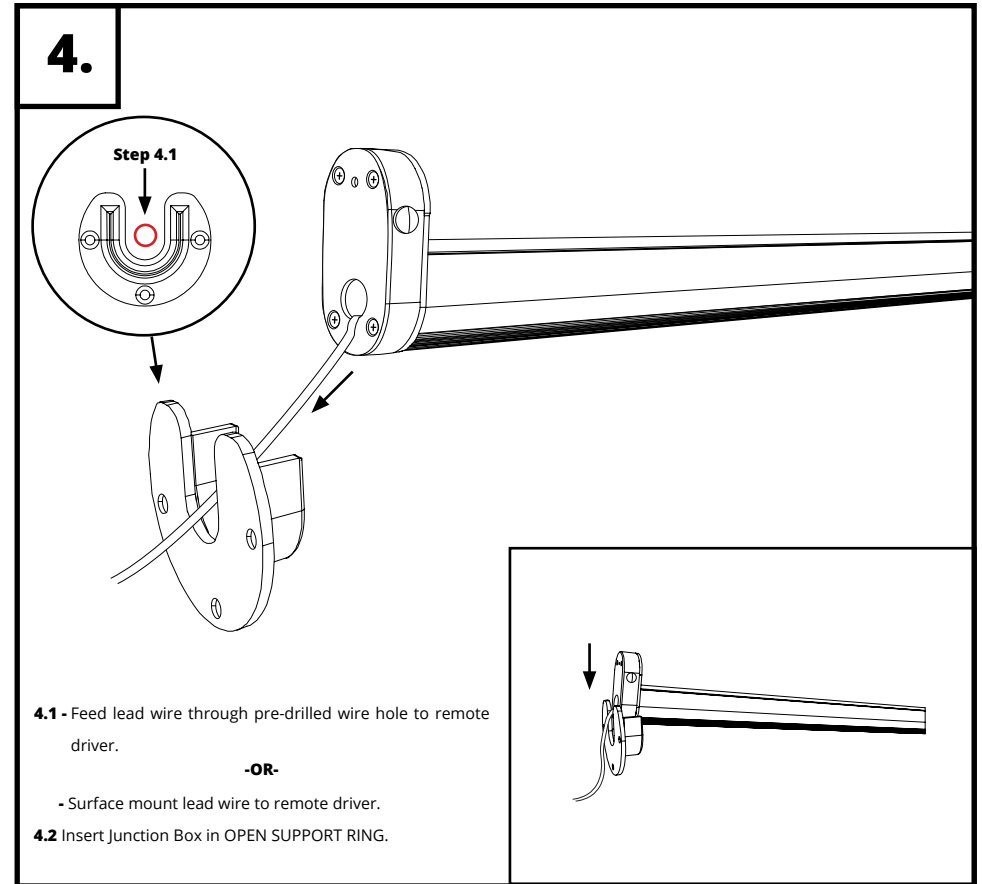
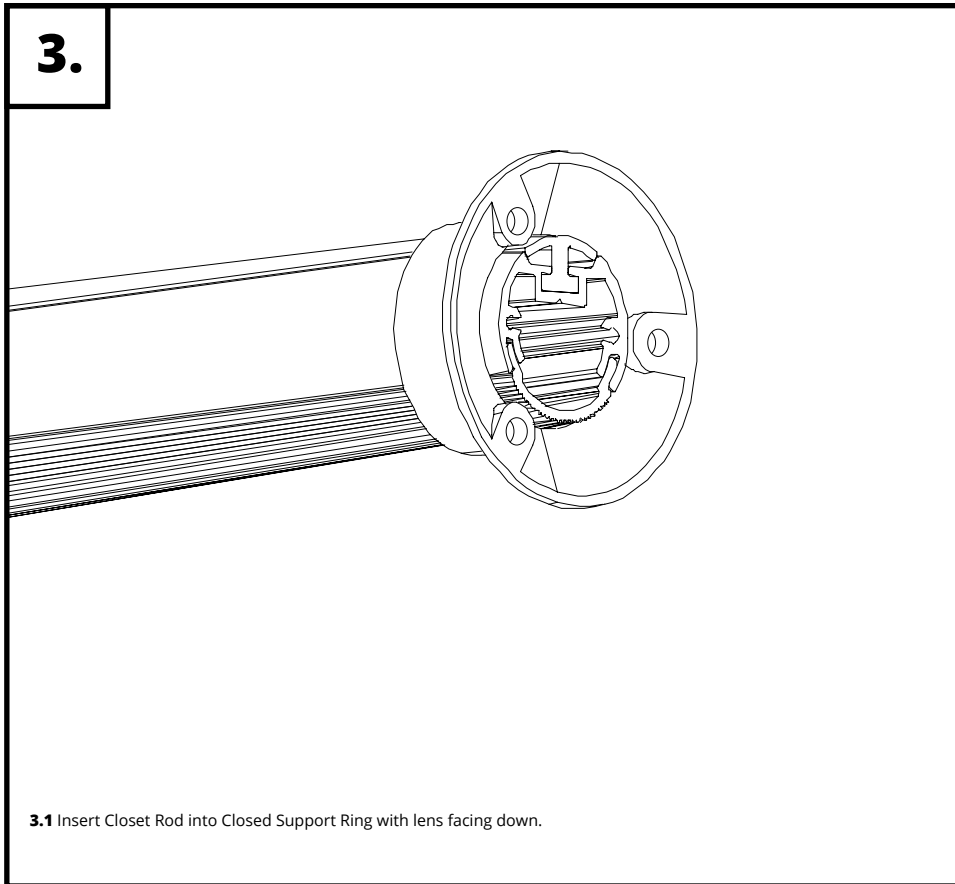
2: Recommended side exit wire: **Belden 18AWG 2 Conductor: 5300UE-0091000** or similar by others

3: 18-14AWG or 20-16AWG wire nuts for splice provided by others.

Note: Optic Arts provided wire lead is not riser or plenum rated. If specific ratings are required, rated cable (by others) should be spliced to integral wire lead in integral Junction Box.

NITELIGHT™ CLOSET ROD INSTALLATION GUIDE

SINGLE - CLOSET ROD INSTALLATION



OPTIC ARTS PRO TIP:

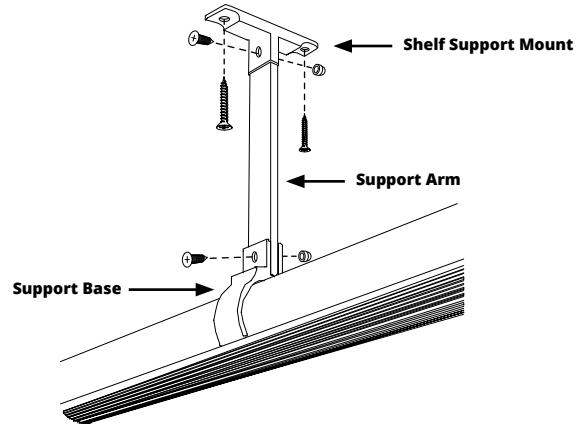
- If Closet Rod includes Support, ensure Support Base & Slide Rail are in place before completing Step 3.
- DO NOT install Support Hanger - this will be installed in a later step.

NITELIGHT™ CLOSET ROD INSTALLATION GUIDE

SINGLE - CLOSET ROD INSTALLATION

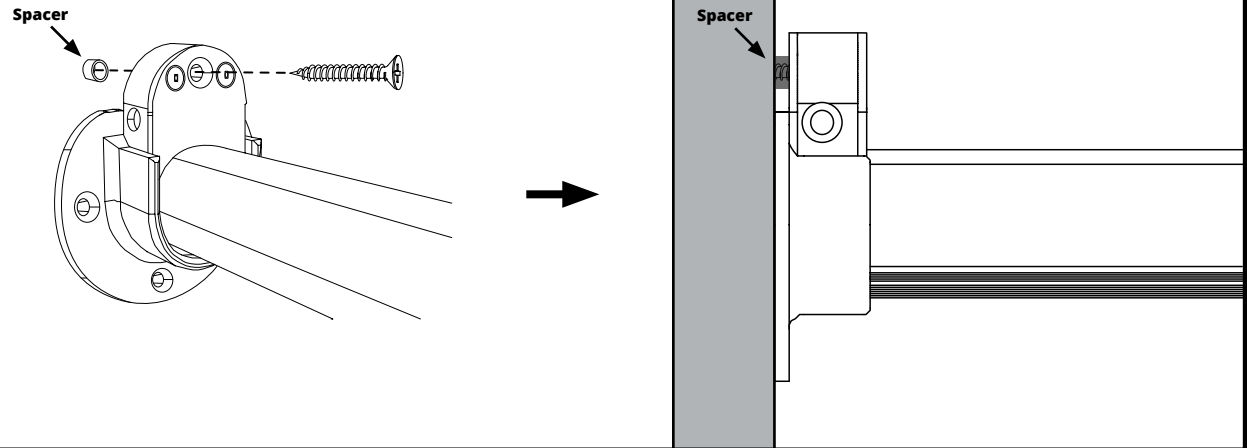
5.

STEP REQUIRED ONLY IF SUPPORT IS INCLUDED



- 5.1 Screw in Support Arm to Shelf Support Mount.
- 5.2 Screw Support Arm to Base.
- 5.3 Screw Shelf Support Mount to Shelf.
- 5.4 Ensure Supports are under tension and taking load. Junction Box should not be taking load and is only used for alignment.

6.



- 6.1 Screw Junction Box to wall of closet. Use provided Spacer to fill 1/8" gap between box and wall. Do not over tighten.

SEE RELEVANT DRIVER WIRING DIAGRAM FOR WIRING INSTRUCTIONS.

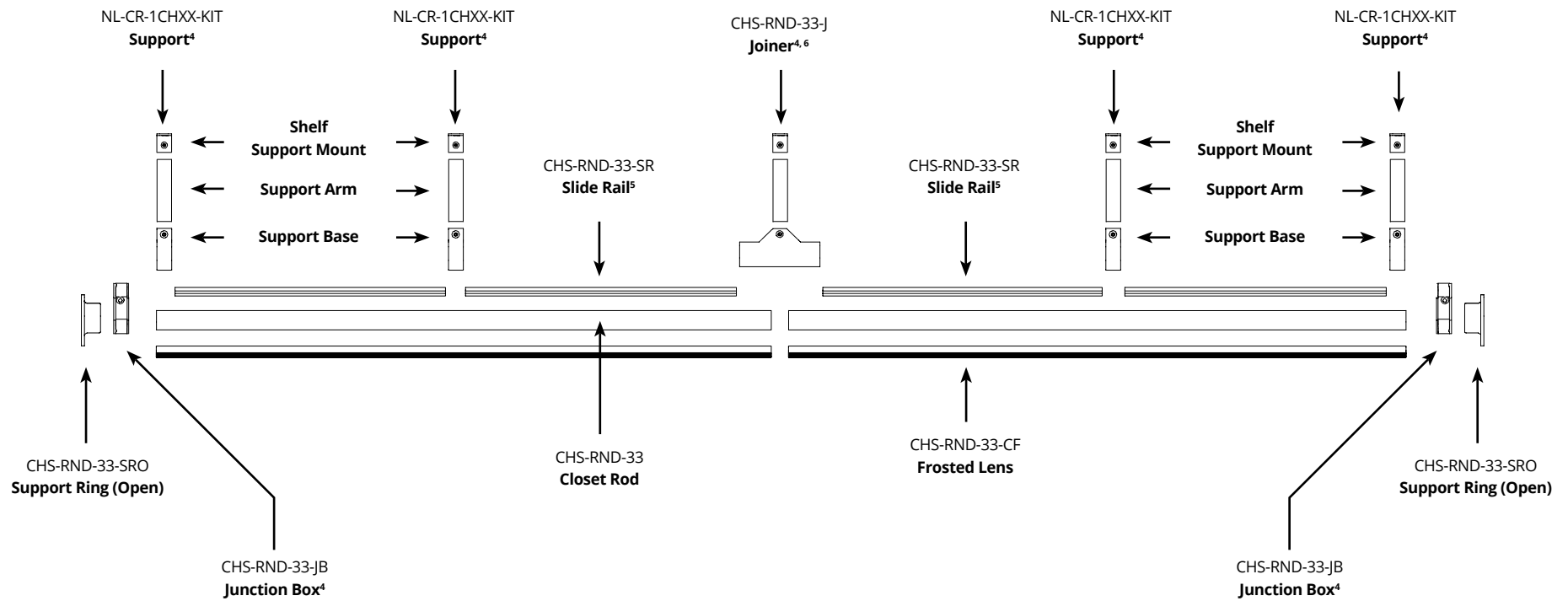


OPTIC ARTS PRO TIP:

Step 6: Use needle nose pliers to keep Spacer in place while inserting screw.

DOUBLE - CLOSET ROD INSTALLATION

EXPLODED VIEW: Double Closet Rod



4: Double Closet Rod requires 1 power feed from each end, 1 Joiner and 4 Supports.

5: An additional 0.63" gap must be field cut out of Slide Rail wherever Support is mounted.

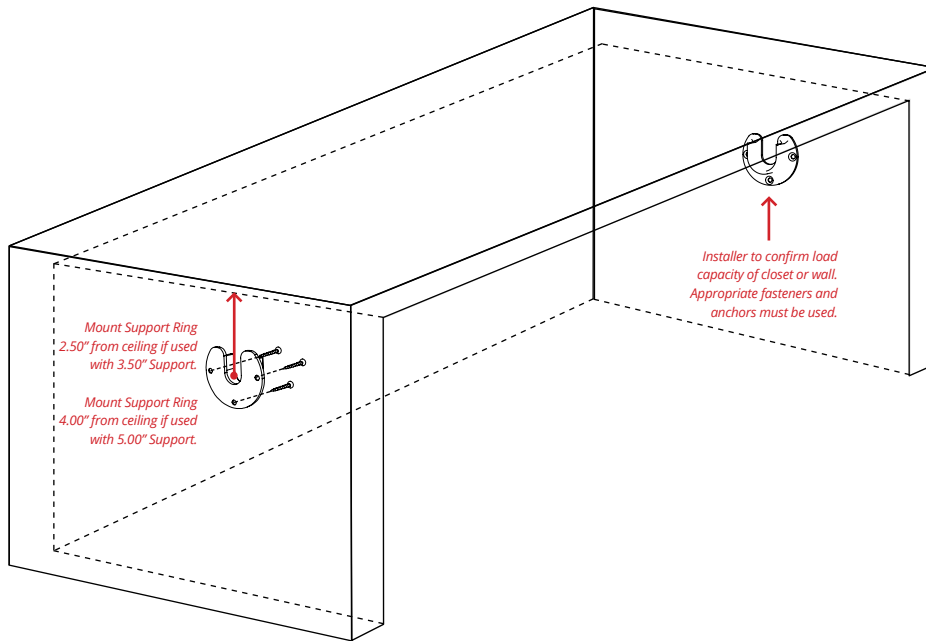
6: An additional 3.63" gap must be field cut out of Slide Rail wherever Joiner is mounted.

Note: End Supports must be mounted no more than 3" away from Junction Box for proper distribution of load.

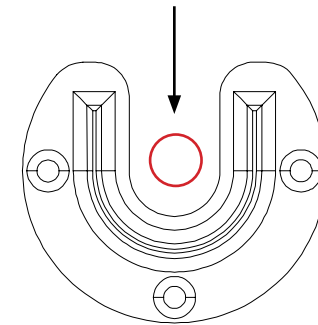
NITELIGHT™ CLOSET ROD INSTALLATION GUIDE

DOUBLE - CLOSET ROD INSTALLATION

1.



1.1 Install (1) Open Support Ring on each side of the closet.



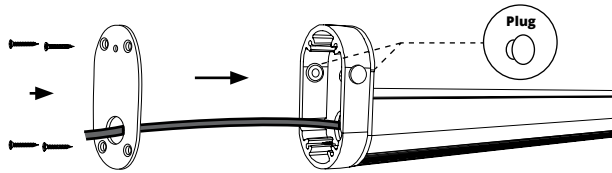
1.2 Drill wire hole in closet wall as shown if wire will not be surface mounted. Repeat on other side of closet wall.

NITELIGHT™ CLOSET ROD INSTALLATION GUIDE

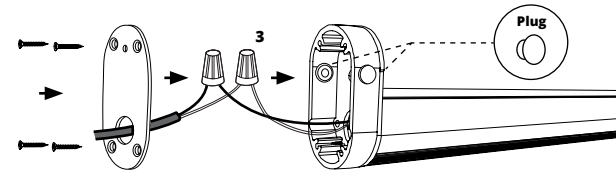
DOUBLE - CLOSET ROD INSTALLATION

2.

1 Hidden Wire Option



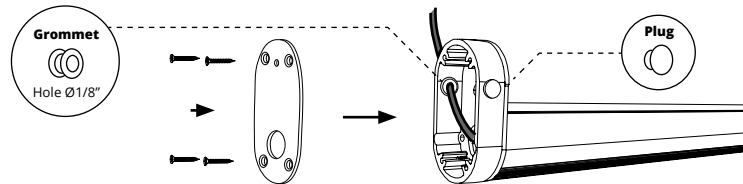
3 Hidden Wire Option



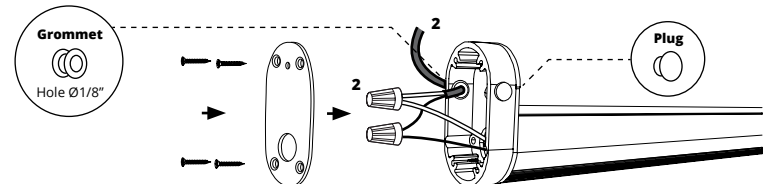
-OR-

-OR-

2 Surface Mounted Wire Option



4 Surface Mounted Wire Option



2.1 If power supply is located less than 6.00' away from Closet Rod, follow steps 1 or 2. If power supply is located more than 6.00' away from Closet Rod, follow steps 3 or 4.

2.2 Cap off remaining side exit hole(s) using plug.

2.3 Close Junction Box by screwing in faceplate.

2.4 Repeat on other side.

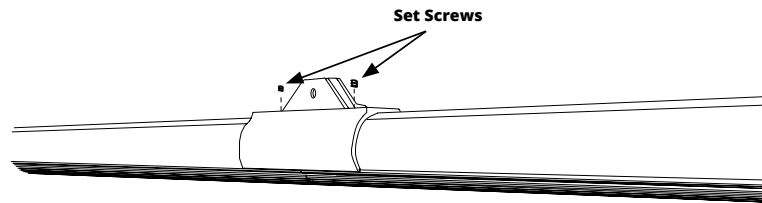
2: Recommended side exit wire: **Belden 18AWG 2 Conductor: 5300UE-0091000 or similar by others**
 3: 18-14AWG or 20-16AWG wire nuts for splice provided by others.

Note: Optic Arts provided wire lead is not riser or plenum rated. If specific ratings are required, rated cable (by others) should be spliced to integral wire lead in integral Junction Box.

NITELIGHT™ CLOSET ROD INSTALLATION GUIDE

DOUBLE - CLOSET ROD INSTALLATION

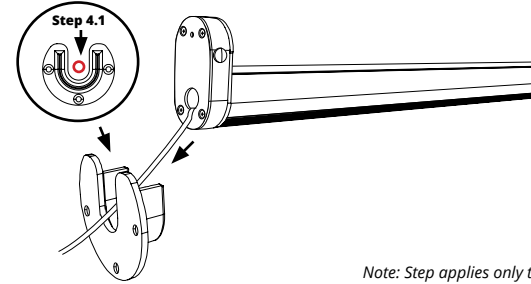
3.



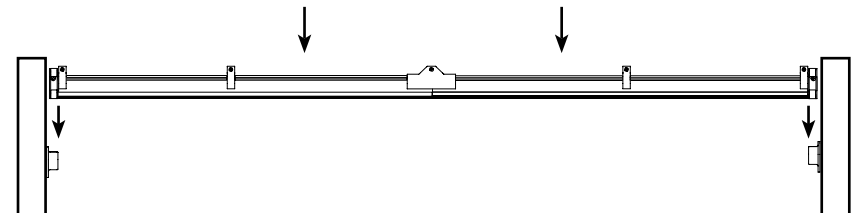
3.1 Ensure Support Bases and Slide Rails are in place, then slide Joiner onto Closet Rods and tighten Set Screws.

This step may require more than one person.

4.



Note: Step applies only to hidden wire option.



Hidden Wire Option

- 4.1** With another person assisting, feed lead wires on each end through pre-drilled wire holes to remote driver.
- 4.2** With another person assisting, lift Closet Rod and insert both Junction Boxes into Open Support Rings simultaneously.

Surface Mounted Option

- 4.3** With another person assisting, lift Closet Rod and insert both Junction Boxes into Open Support Rings simultaneously.
- 4.4** Surface mount lead wires to remote driver.

NITELIGHT™ CLOSET ROD INSTALLATION GUIDE

DOUBLE - CLOSET ROD INSTALLATION

5.

5.1 Screw in Support Arm to Shelf Support Mount.

5.2 Screw Support Arm to Joiner Base.

5.3 Screw Shelf Support Mount to Shelf.

5.4 Ensure Supports are under tension and taking load. Junction Box should not be taking load and is only used for alignment.

6.

6.1 Screw in Support Arm to Shelf Support Mount.

6.2 Screw Support Arm to Base.

6.3 Screw Shelf Support Mount to Shelf.

6.4 Repeat with other Supports.

6.5 Ensure Supports are under tension and taking load. Junction Box should not be taking load and is only used for alignment.

7.

7.1 Screw Junction Box to wall of closet. Use provided Spacer to fill 1/8" gap between box and wall. Do not over tighten.

7.2 Repeat on other end of Closet Rod.

SEE RELEVANT DRIVER WIRING DIAGRAM FOR WIRING INSTRUCTIONS.



OPTIC ARTS PRO TIP:

Step 7: Use needle nose pliers to keep Spacer in place while mounting Closet Rod using screw.