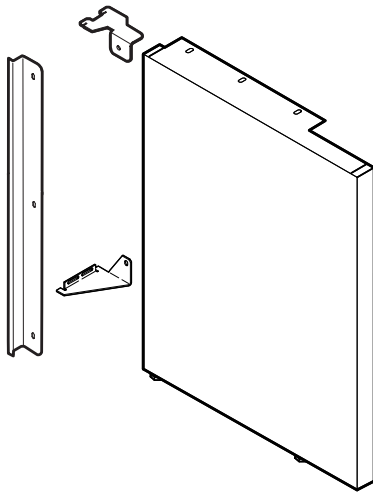
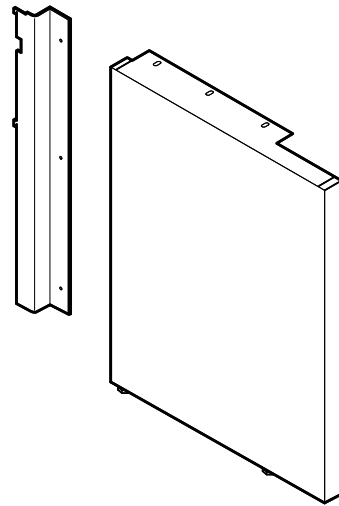


Universal Systems Worksurfaces - On-Module and Off-Module End Panel



Off-Module End Panel



On-Module End Panel

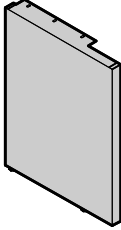
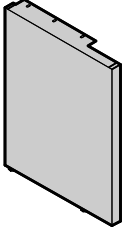


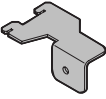
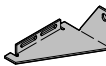
If you have a problem, question, or request, call your local dealer, or Steelcase Line 1 at **888.STEELCASE** (888.783.3522) for immediate action by people who want to help you.

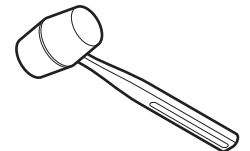
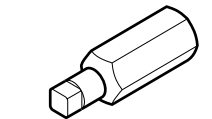
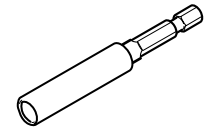
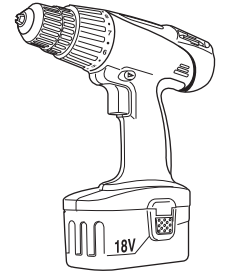
(Outside the U.S.A., Canada, Mexico, Puerto Rico, and the U.S. Virgin Islands, call: 1.616.247.2500)

Or visit our website: www.steelcase.com

© 2006 Steelcase Inc.
Grand Rapids, MI 49501
U.S.A.

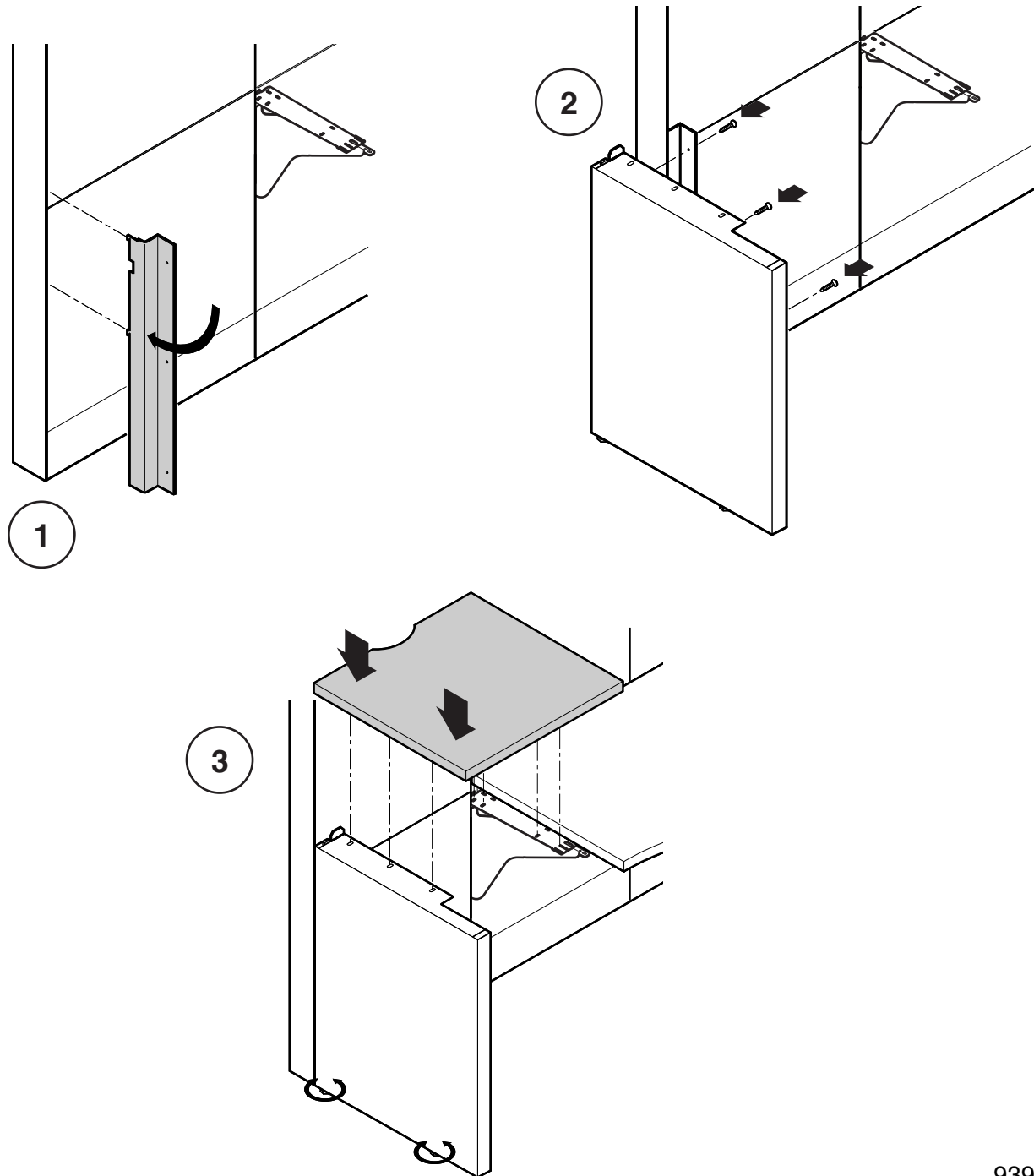
Printed in U.S.A.

Components	
Off-Module	On-Module
 End Panel Assembly	 End Panel Assembly
 Filler	 Filler
 Filler Bracket	
 Mounting Bracket	
Hardware Package	Hardware Package



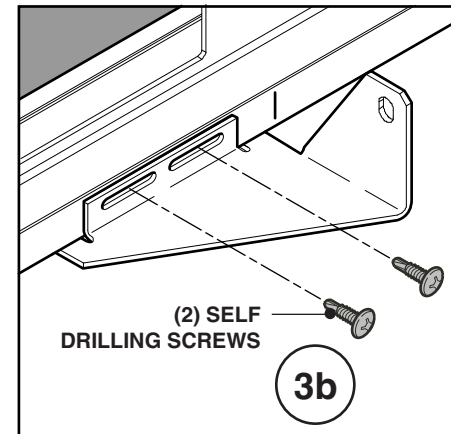
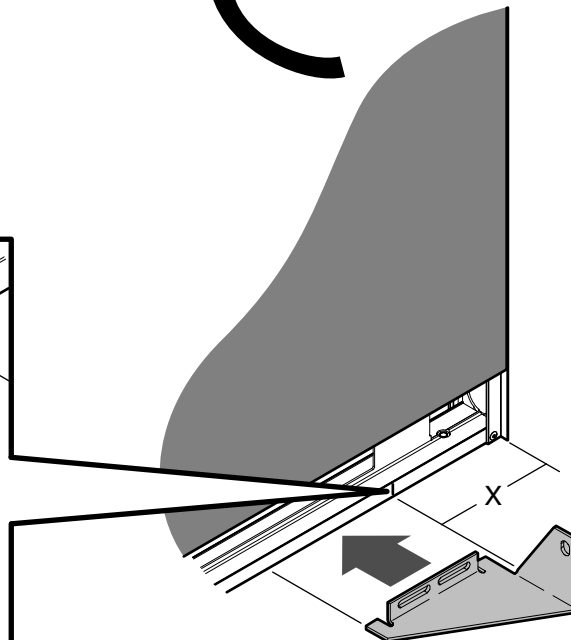
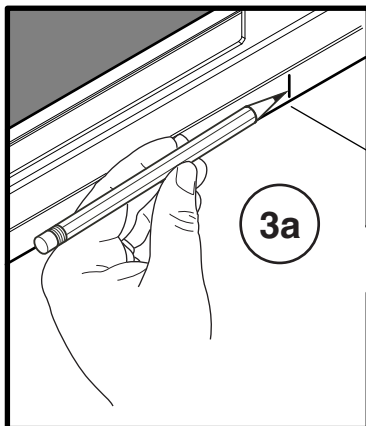
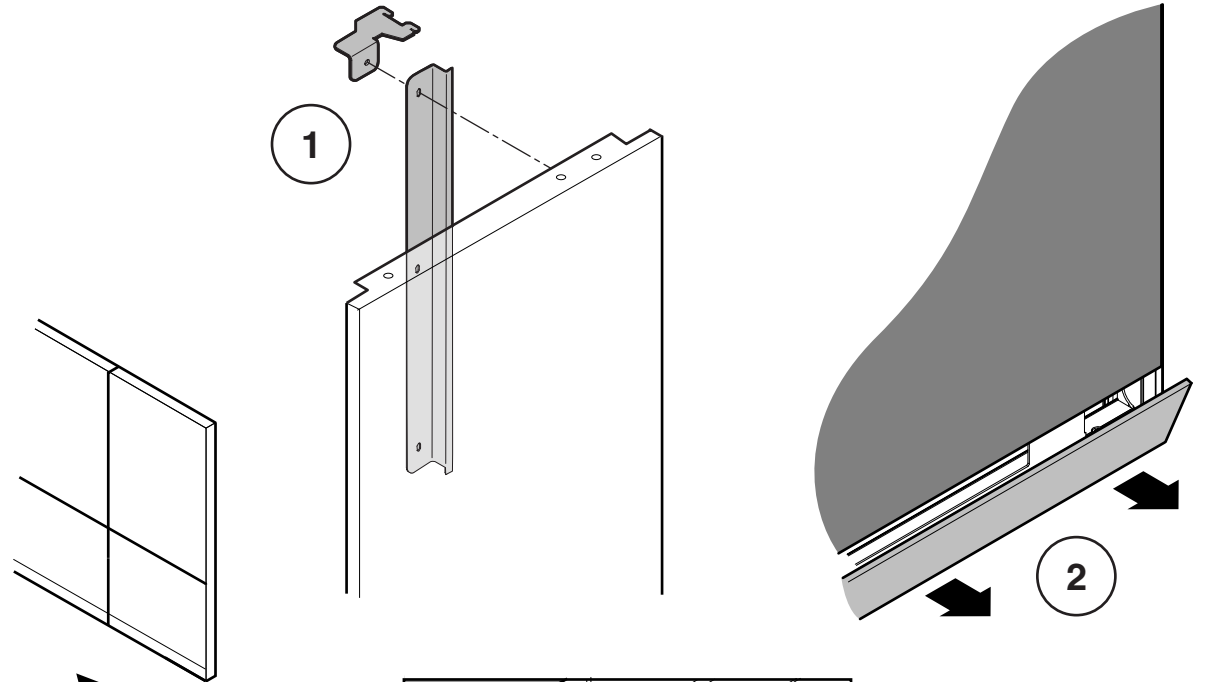
On-Module End Panel

1. insert end panel bracket.
2. Secure end panel to bracket.
3. Place worksurface and adjust glides.



Off-Module End Panel

- 1.** Assemble end panel, filler and bracket together.
- 2.** Remove base cover from frame.
- 3.** Mark bottom of frame the distance from side of frame to inside of end panel (3a). Attach bracket using two (2) self-drilling screws centered in slots. Back off screw a 1/2 turn so the bracket can move freely from side to side for alignment of end panel (3b).



Steelcase

4. Re-install base cover onto frame.

5. Remove screw from end panel bracket (5a). Insert bracket into slots of the frame (5b). Fasten bracket to end panel using previously removed screw (5c).

