



Bathtub - Madison

Deck-mounted tub mixer, with hand shower set for deck-mounted tub installation - polished

Article number: 27 502 370-00

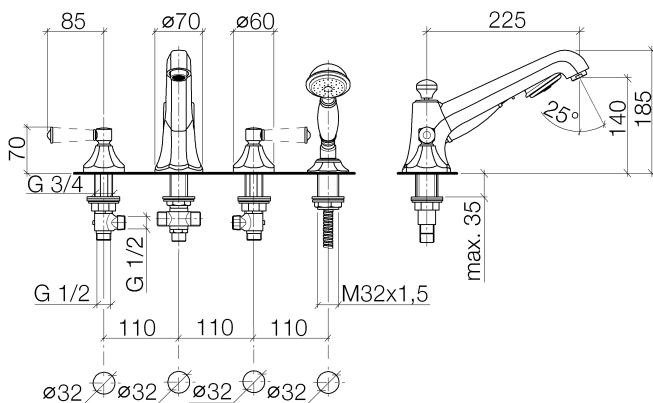


- 8-7/8" Projection
- Hand shower set: Standard spray
- Spout: Round aerated stream
- Hand shower set with anti-scale technology
- Integrated diverter
- Total height 7-1/4"
- Height to aerator/spout outlet 5-1/2"
- Valve hole diameter 1-1/4"
- Spout hole diameter 1-1/4"
- Hole diameter for hand shower set 1-1/4"
- 3-3/4" diameter flange for spout
- Hand shower set with flange \varnothing 2-3/8"
- Valve with flange \varnothing 2-3/8"
- Metal shower hose 68-7/8" with anti-twist device
- Spout flow rate max. 6.1 gpm
- Handshower flow rate max. 1.8 gpm
- Fittings group in compliance with DIN 4109: 1
- Internal backflow preventer.
- NOTE: Local building codes may require the use of an anti-scald device. Please refer to remote pressure balance valve (35 910 970 90)



polished chrome

Dimensional drawing





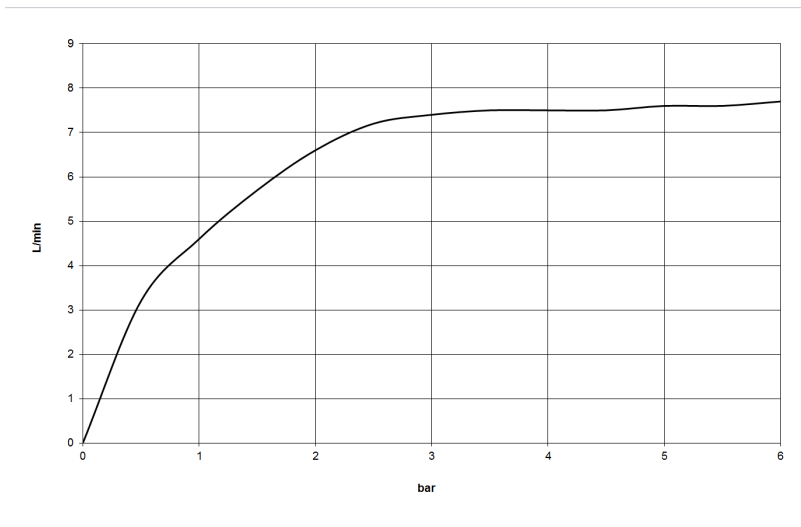
Bathtub - Madison

Deck-mounted tub mixer, with hand shower set for deck-mounted tub installation - polished

Article number: 27 502 370-00

All dimensions in mm / inch = mm x 0,0394

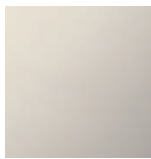
Flow rate chart



Other surface finishes



platinum matte
27 502 370-06



platinum
27 502 370-08



Durabrass
27 502 370-09

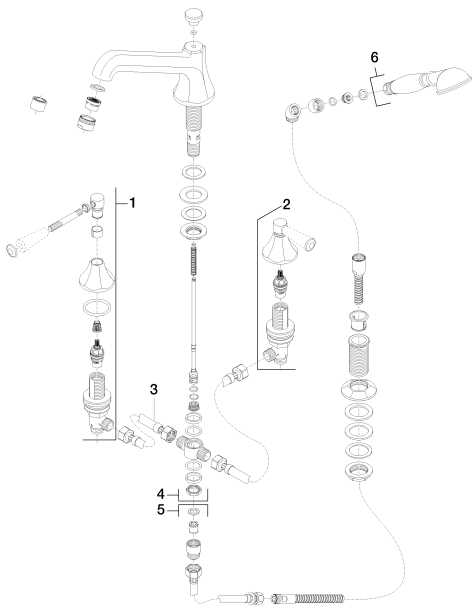
Other surfaces upon request (extra service)

Bathtub - Madison

Deck-mounted tub mixer, with hand shower set for deck-mounted tub installation - polished

Article number: 27 502 370-00

Exploded drawing



Spare parts list

Number	Item Number	Designation	Number of units
1	20 000 370-00	Deck valve clockwise-closing cold - polished chrome	1
2	13 502 380-00	Tub spout with diverter for deck-mounted installation - polished chrome	1
3	12 502 970 90	Flexible supply line 1/2" x 1/2" x 15-3/4" -	2
4	20 000 371-00	Deck valve counter-clockwise closing hot - polished chrome	1
5	27 703 370-00	Hand shower set for deck-mounted tub installation - polished chrome	1