

Bathtub - IMO

Tub spout with diverter for deck-mounted installation - platinum matte

Article number: 13 512 670-06

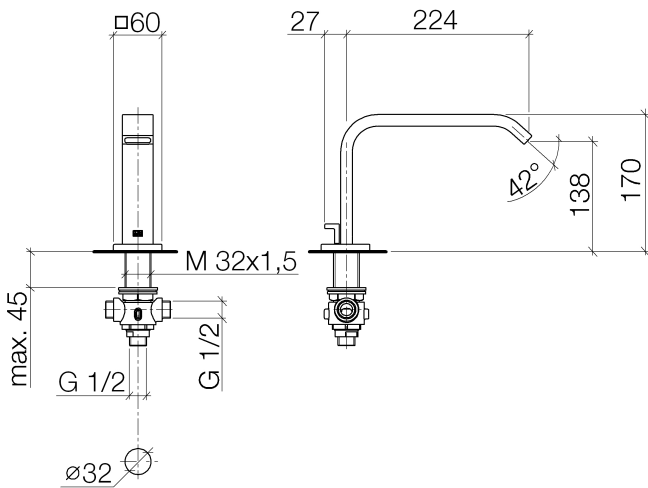


- 8-7/8" Projection
- Rectangular aerator
- Integrated diverter
- Total height 6-3/4"
- Height to aerator/spout outlet 5-3/8"
- 1-1/4" hole diameter
- Flange 2-3/8" x 2-3/8"
- 1/2" connection
- Water flow rate limited to max. 7.9 gpm
- Fittings group in compliance with DIN 4109: 2
- Internal backflow preventer.
- Diverter cannot be deactivated



platinum matte

Dimensional drawing



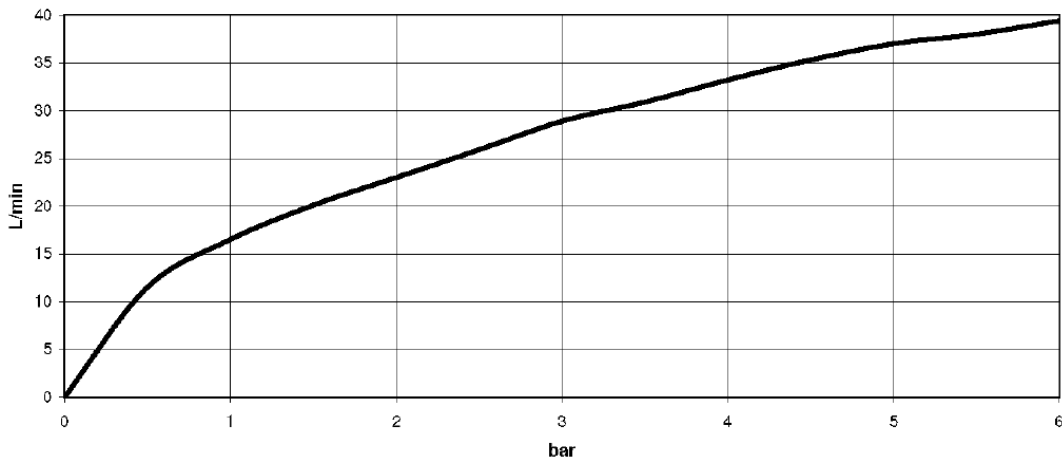
All dimensions in mm / inch = mm x 0,0394

## Bathtub - IMO

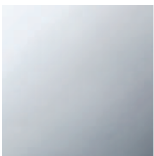
Tub spout with diverter for deck-mounted installation - platinum matte

Article number: 13 512 670-06

### Flow rate chart



### Other surface finishes



polished chrome

13 512 670-00

Other surfaces upon request (extra service)