

Sink - Tara.

Single-hole lavatory mixer with drain - platinum matte

Article number: 22 512 892-06 0010

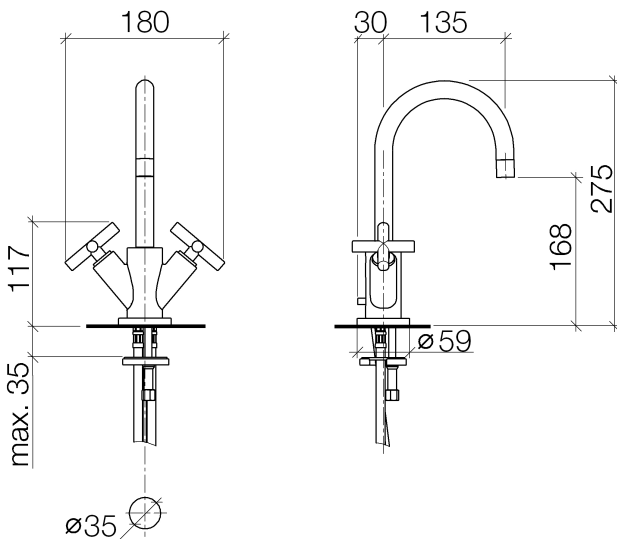


- 5-3/8" Projection
- US drain with overflow
- Swivel spout 360°
- Round aerated stream
- Total height 10-7/8"
- Height to aerator/spout outlet 6-5/8"
- 1-3/8" hole diameter
- Flange diameter 2-3/8"
- 2x 3/8" US flexible supply lines
- Water flow rate limited to max. 1.2 gpm
- lead-free
- (ADA)
- Suitable only for basins with overflow.



platinum matte

Dimensional drawing



All dimensions in mm / inch = mm x 0,0394