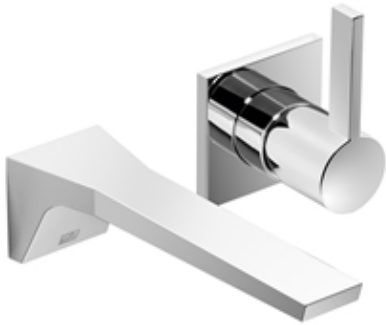




## Sink - CL.1

Wall-mounted single-lever mixer without drain - polished chrome

Article number: 36 812 705-00



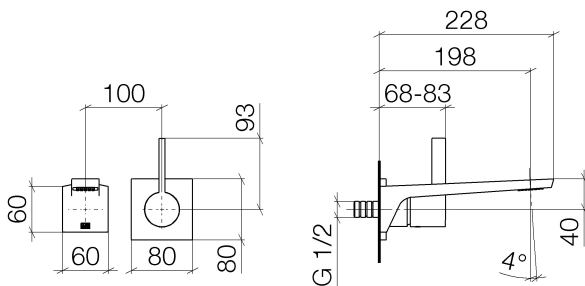
- 7-7/8" Projection
- Fixed spout
- Rectangular aerator with 40 individual streams
- Spout hole diameter 1-5/8"
- Hole diameter single-lever mixer 2-3/8"
- Flange 3-1/8" x 3-1/8"
- Water flow rate limited to max. 1.2 gpm
- lead-free
- Fittings group in compliance with DIN 4109: 1
- Mixer can be positioned above, to the left or to the right of the spout.
- (ADA)



polished chrome

Accessory is required for this item.

## Dimensional drawing



All dimensions in mm / inch = mm x 0,0394

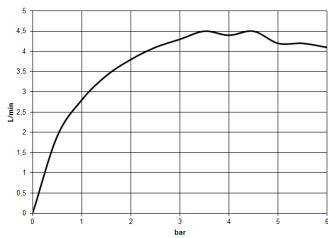


## Sink - CL.1

Wall-mounted single-lever mixer without drain - polished chrome

Article number: 36 812 705-00

## Flow rate chart



## Other surface finishes



platinum matte

36 812 705-06

Other surfaces upon request (extra service)

**Sink - CL.1**

Wall-mounted single-lever mixer without drain - polished chrome

Article number: 36 812 705-00

**Required article**



35 806 970-90 0010  
Rough for wall-mounted  
faucet mixer on right -

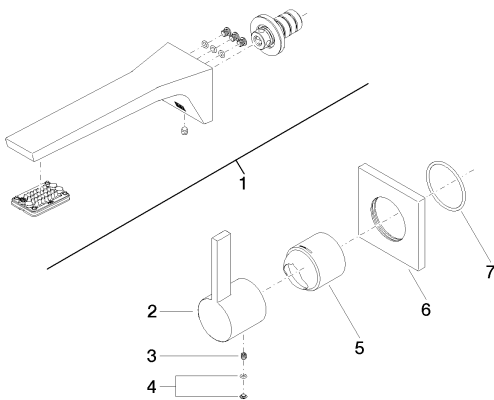


35 807 970-90 0010  
Rough for wall-mounted  
faucet mixer on left -



35 808 970-90 0010  
Rough for wall-mounted  
faucet mixer on top -

**Exploded drawing**



**Spare parts list**

Number	Item Number	Designation	Number of units
1	13 800 705-00	Lavatory spout, wall-mounted without drain - polished chrome	1
2	09 20 70 050-00	Lever - polished chrome	1
3	09 31 11 030 90	Mounting bracket -	1
4	90 31 20 087 00-00	Cover - polished chrome	1
5	09 11 02 287-00	Hood / sleeve - polished chrome	1
6	09 27 78 039-00	Escutcheon - polished chrome	1
7	09 14 10 049 90	Washer -	1