

Sink - Madison

Three-hole lavatory mixer with drain - Durabronz

Article number: 20 700 360-09 0010

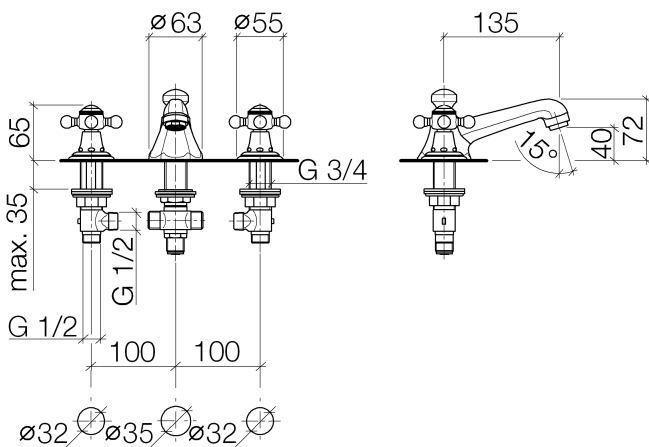


- 5-3/8" Projection
- US drain with overflow
- Fixed spout
- Round aerated stream
- Total height 2-7/8"
- Height to aerator/spout outlet 1-5/8"
- Valve hole diameter 1-1/4"
- Spout hole diameter 1-3/8"
- Without flange
- Water flow rate limited to max. 1.2 gpm
- lead-free
- Suitable only for basins with overflow.



Durabronz

Dimensional drawing



All dimensions in mm / inch = mm x 0,0394

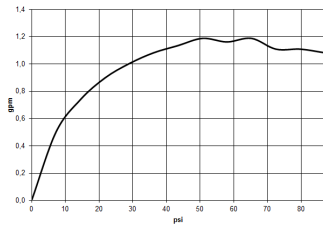


Sink - Madison

Three-hole lavatory mixer with drain - Durabrass

Article number: 20 700 360-09 0010

Flow rate chart



Other surface finishes



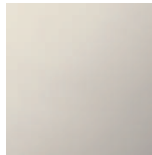
polished chrome

20 700 360-00 0010



platinum matte

20 700 360-06 0010



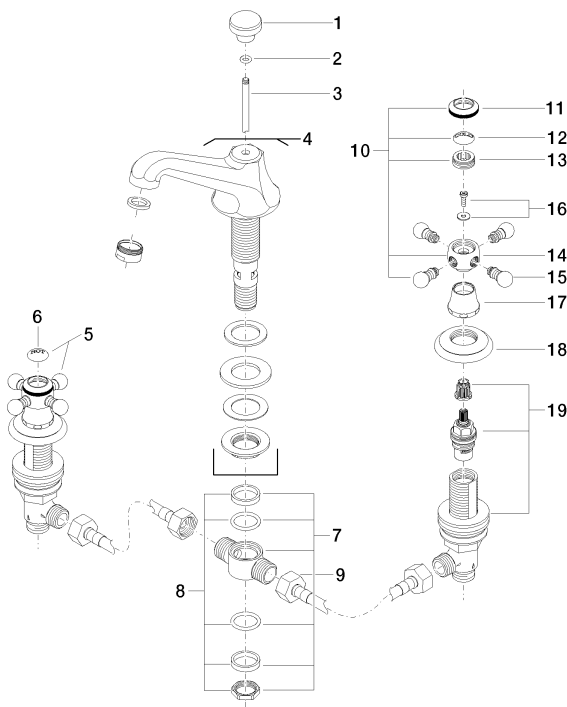
platinum

20 700 360-08 0010

Other surfaces upon request (extra service)

Sink - Madison
 Three-hole lavatory mixer with drain - Durabronz
 Article number: 20 700 360-09 0010

Exploded drawing



20 ————— Ablaufgarnitur 04.11.01.001.00.FF

Spare parts list

Number	Item Number	Designation	Number of units
1	09 20 36 030-09	Pivot rod/lift knob - Durabronz	1
2	09 14 10 062 90	Washer -	1
3	09 31 09 004-09	Pivot rod/lift knob - Durabronz	1
4	13 700 380-09 0010	Outlet - Durabronz	1
5	04 20 36 002 07-09	Handle - Durabronz	1
6	09 26 01 011 90	Cover -	1
7	04 17 11 020 10 90	Wall connection -	1
8	90 23 10 012 00 90	Mounting bracket -	1
9	04 30 04 096 00 90	Tube -	2
10	04 20 36 002 06-09	Handle - Durabronz	1
11	09 20 36 005-09	Handle - Durabronz	2
12	09 26 01 010 90	Cover -	1
13	09 20 83 006 90	Handle -	2
14	09 20 36 002-09	Handle - Durabronz	2
15	09 20 36 004-09	Handle - Durabronz	8
16	04 30 30 029 00 90	Mounting bracket -	2
17	09 21 02 055-09	Hood / sleeve - Durabronz	2
18	09 27 35 001-09	Escutcheon - Durabronz	2
19	90 17 11 040 51 90	Deck valve -	2
20	04 11 01 023 00-09	Drain - Durabronz	1