

Sink - Tara.

Three-hole lavatory mixer with drain - platinum matte

Article number: 20 713 892-06 0010

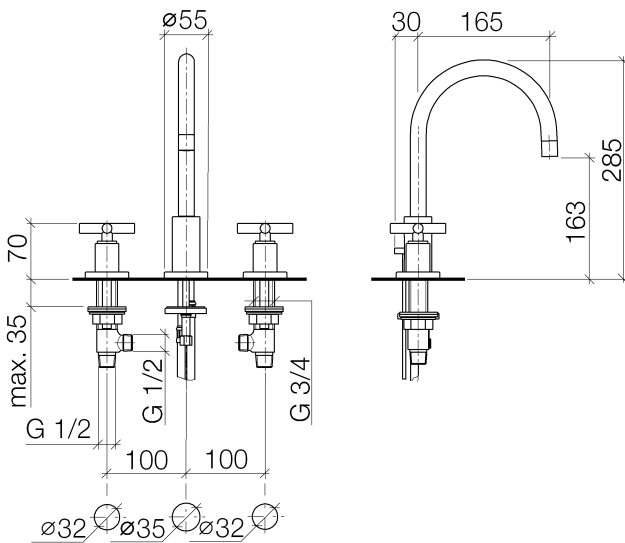


- 6-1/2" Projection
- US drain with overflow
- Swivel spout 360°
- Round aerated stream
- Total height 11-1/4"
- Height to aerator/spout outlet 6-3/8"
- Valve hole diameter 1-1/4"
- Spout hole diameter 1-3/8"
- Flange diameter 2-1/8"
- Water flow rate limited to max. 1.2 gpm
- lead-free
- (ADA)
- Suitable only for basins with overflow.



platinum matte

Dimensional drawing



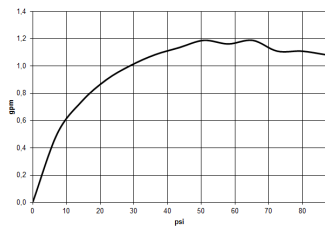
All dimensions in mm / inch = mm x 0,0394

Sink - Tara.

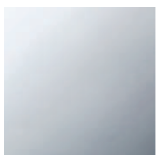
Three-hole lavatory mixer with drain - platinum matte

Article number: 20 713 892-06 0010

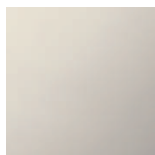
Flow rate chart



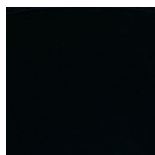
Other surface finishes



polished chrome
20 713 892-00 0010



platinum
20 713 892-08 0010



black matte
20 713 892-33 0010



Cyprum
20 713 892-49 0010

Other surfaces upon request (extra service)