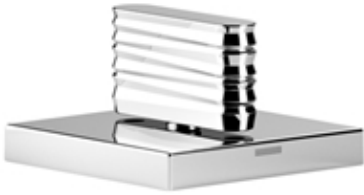


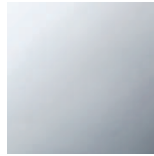
Sink - CL.1

Deck valve counter-clockwise closing hot - polished chrome

Article number: 20 001 706-00

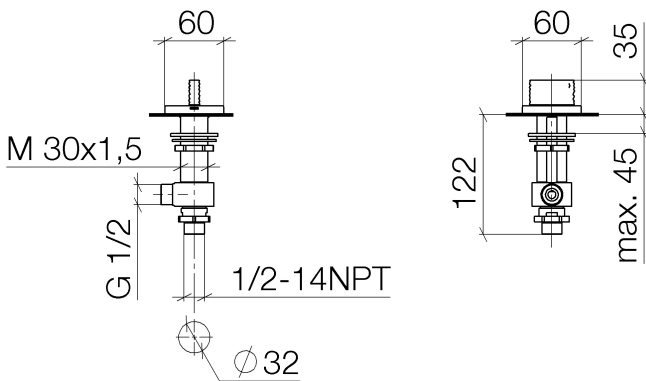


- 1-1/4" hole diameter
- Flange 2-3/8" x 2-3/8"
- Fittings group in compliance with DIN 4109: 1
- (ADA)



polished chrome

Dimensional drawing



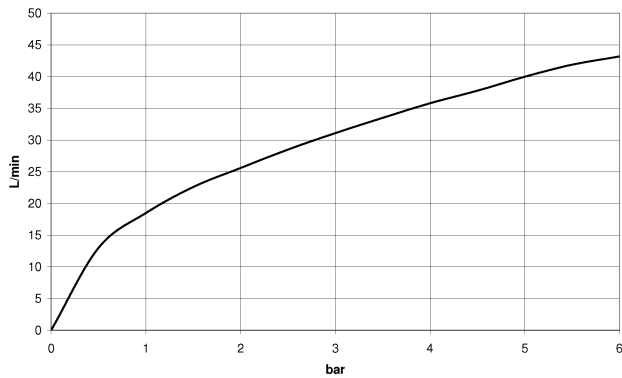
All dimensions in mm / inch = mm x 0,0394

Sink - CL.1

Deck valve counter-clockwise closing hot - polished chrome

Article number: 20 001 706-00

Flow rate chart



Other surface finishes



platinum matte
20 001 706-06

Other surfaces upon request (extra service)