

Sink - MEM

Single-lever lavatory mixer with drain - platinum matte

Article number: 33 500 782-06 0010

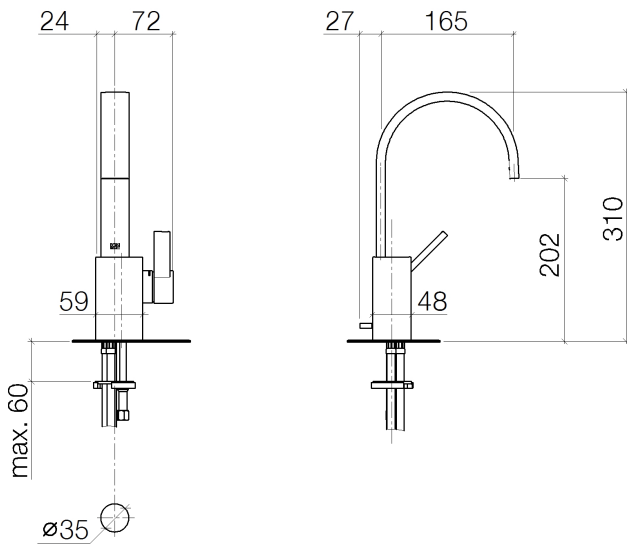


- 6-1/2" Projection
- US drain with overflow
- Fixed spout
- Rectangular aerated stream
- Total height 12-1/4"
- Height to aerator/spout outlet 8"
- 1-3/8" hole diameter
- 2x 3/8" US flexible supply lines
- Water flow rate limited to max. 1.2 gpm
- lead-free
- (ADA)
- Suitable only for basins with overflow.



platinum matte

Dimensional drawing



All dimensions in mm / inch = mm x 0,0394