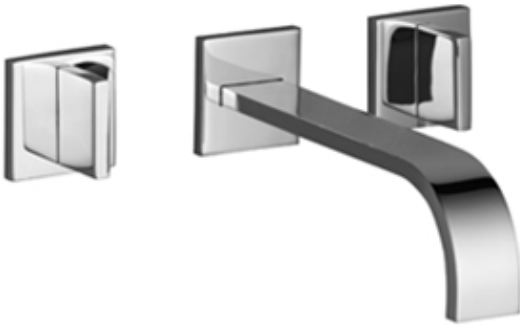


Sink - MEM

Wall-mounted three-hole lavatory mixer without drain - platinum

Article number: 36 712 782-08 0010



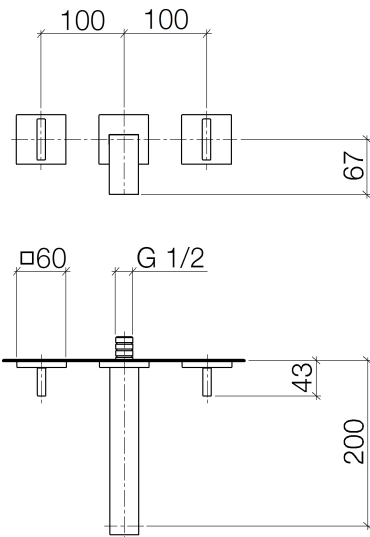
- 7-7/8" Projection
- Fixed spout
- Rectangular aerated stream
- Valve hole diameter 1-5/8"
- Spout hole diameter 1-5/8"
- Individual flanges 2-3/8" x 2-3/8"
- Water flow rate limited to max. 1.2 gpm
- lead-free
- (ADA)



platinum

Accessory is required for this item.

Dimensional drawing



All dimensions in mm / inch = mm x 0,0394

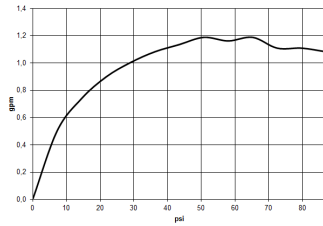


## Sink - MEM

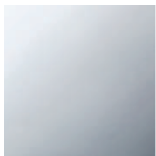
Wall-mounted three-hole lavatory mixer without drain - platinum

Article number: 36 712 782-08 0010

## Flow rate chart



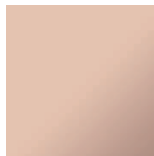
## Other surface finishes



polished chrome  
36 712 782-00 0010



platinum matte  
36 712 782-06 0010



Cyprum  
36 712 782-49 0010

Other surfaces upon request (extra service)

Sink - MEM

Wall-mounted three-hole lavatory mixer without drain - platinum

Article number: 36 712 782-08 0010

Required article



35 707 970-90 0010

Rough for wall-mounted  
faucet spout in center -



35 712 970-90 0010

Rough for wall-mounted  
faucet flexible positioning -



35 713 970-90 0010

Rough for wall-mounted  
faucet spout on left -



35 714 970-90 0010

Rough for wall-mounted  
faucet spout on right -