

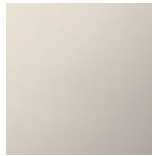
Sink - MEM

Lavatory spout, deck-mounted with drain - platinum

Article number: 13 715 782-08 0010

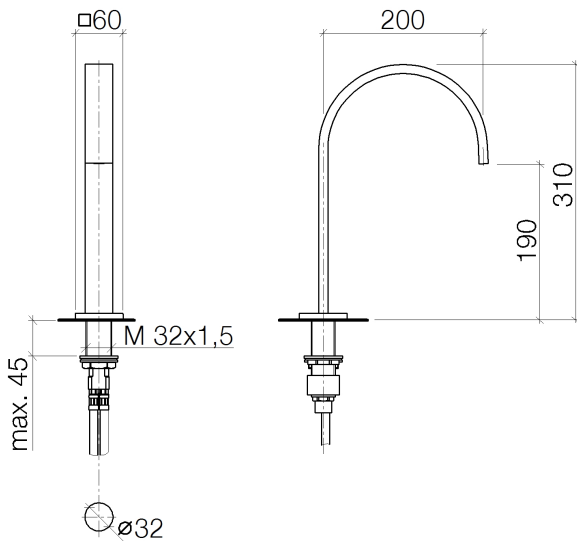


- 7-7/8" Projection
- US drain with overflow
- Fixed spout
- Rectangular aerated stream
- Total height 12-1/4"
- Height to aerator/spout outlet 7-1/2"
- 1-3/8" hole diameter
- Flange 2-3/8" x 2-3/8"
- Water flow rate limited to max. 1.2 gpm
- lead-free
- Suitable only for basins with overflow.



platinum

Dimensional drawing



All dimensions in mm / inch = mm x 0,0394