



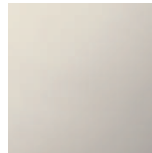
Sink - MEM

Lavatory spout, deck-mounted with drain - platinum

Article number: 13 715 782-08 0010

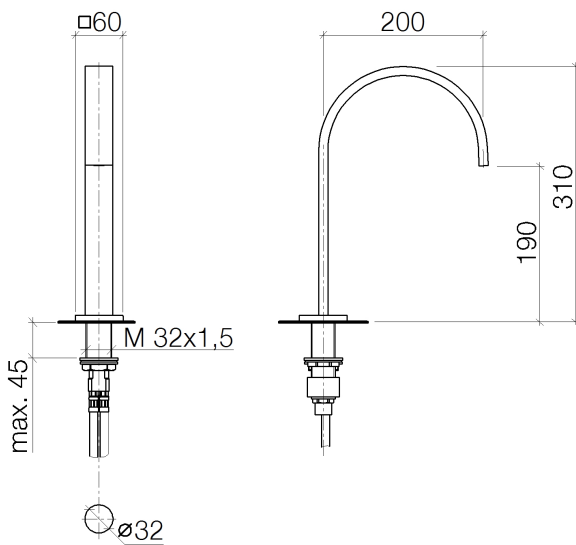


- 7-7/8" Projection
- US drain with overflow
- Fixed spout
- Rectangular aerated stream
- Total height 12-1/4"
- Height to aerator/spout outlet 7-1/2"
- 1-3/8" hole diameter
- Flange 2-3/8" x 2-3/8"
- Water flow rate limited to max. 1.2 gpm
- lead-free
- Suitable only for basins with overflow.



platinum

Dimensional drawing



All dimensions in mm / inch = mm x 0,0394

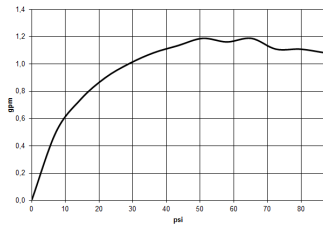


Sink - MEM

Lavatory spout, deck-mounted with drain - platinum

Article number: 13 715 782-08 0010

Flow rate chart



Other surface finishes



polished chrome

13 715 782-00 0010



platinum matte

13 715 782-06 0010



Cyprum

13 715 782-49 0010

Other surfaces upon request (extra service)

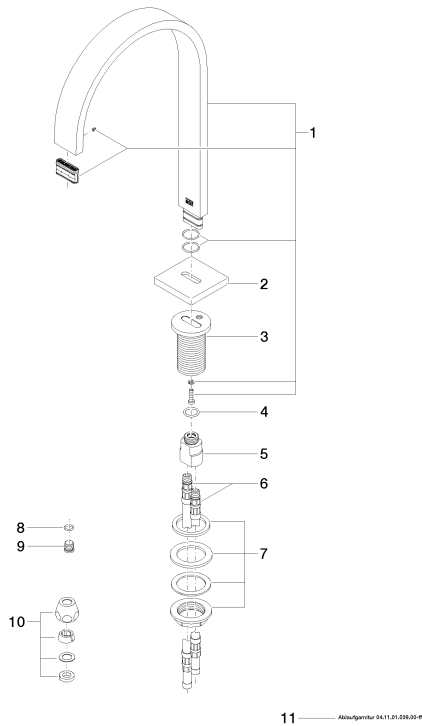


Sink - MEM

Lavatory spout, deck-mounted with drain - platinum

Article number: 13 715 782-08 0010

Exploded drawing



Spare parts list

Number	Item Number	Designation	Number of units
1	90 28 22 155 02-08	Outlet - platinum	1
2	09 27 78 034-08	Escutcheon - platinum	1
3	09 11 10 054 10 90	Wall connection -	1
4	09 14 10 130 90	Washer -	1
5	09 11 10 055 10 90	Wall connection -	1
6	04 30 04 016 00 90	Flexible supply line -	2
7	04 23 10 009 01 90	Mounting bracket -	1
8	09 14 10 060 90	Washer -	1
9	09 31 20 065 90	Plug for European drain -	1
10	04 23 30 040 00-08	Wall connection - platinum	2
11	10 125 970-08 0010	Drain Umbrella drain 1 1/4" - platinum	1