

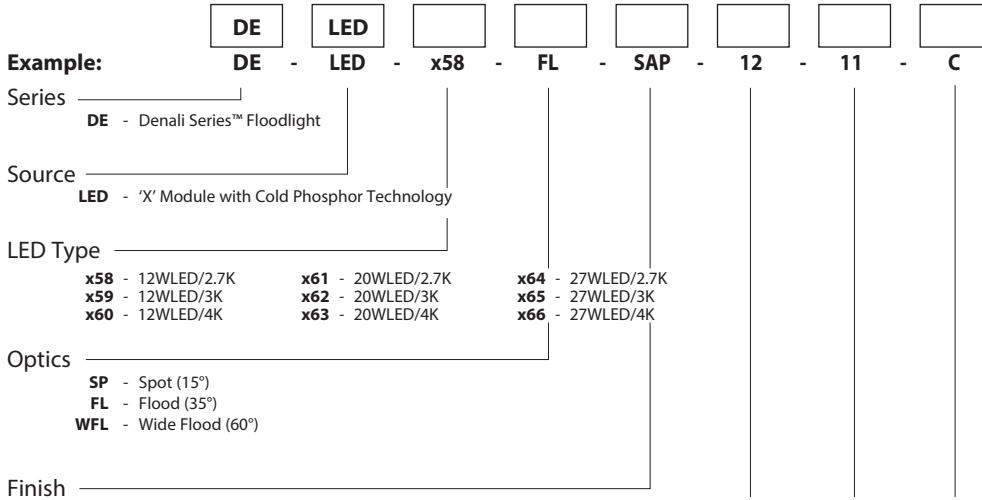
BKSSL
SOLID STATE LIGHTING
12-27W LED



DENALI SERIES™ FLOODLIGHT

PROJECT:	
TYPE:	
CATALOG NUMBER:	
SOURCE:	
NOTES:	

CATALOG NUMBER LOGIC



Configure Driver Housing Separately Driver Housing Required

INTEGRAL DRIVER HOUSINGS:

- HP2** - HP2 Housing
- PM2** - Universal Power Module 2
- PM2D** - Universal Power Module 2 Dual
- PC** - Power Canopy
- PPII** - Power Pipe II
- TMB** - Pole Mount or Tenon Mount

REMOTE DRIVER HOUSINGS:

- HP2RM** - HP2 Remote Housing
- PM2RM** - Universal Power Module 2 Remote
- PM2DRM** - Universal Power Module 2 Dual Remote
- RM** - Remote Wall Mount
- DRM** - Dual Remote Wall Mount

Aluminum Finish

Powder Coat Color	Satin	Wrinkle
Bronze	BZP	BZW
Black	BLP	BLW
White (Gloss)	WHP	WHW
Aluminum	SAP	—
Verde	—	VER

Premium Finish

ABP Antique Brass Powder	CMG Cascade Mountain Granite	RMG Rocky Mountain Granite
AMG Aleutian Mountain Granite	CRI Cracked Ice	SDS Sonoran Desert Sandstone
AQW Antique White	CRM Cream	SMG Sierra Mountain Granite
BCM Black Chrome	HUG Hunter Green	TXF Textured Forest
BGE Beige	MDS Mojave Desert Sandstone	WCP Weathered Copper
BPP Brown Patina Powder	NBP Natural Brass Powder	WIR Weathered Iron
CAP Clear Anodized Powder	OCP Old Copper	<i>Also available in RAL Finishes See submittal SUB-1439-00</i>

Lens Type 9 - Clear (Standard) 10 - Spread Lens* 12 - Soft Focus Lens* 13 - Rectilinear Lens*

Shielding 11 - Honeycomb Baffle*
**Accommodates up to 2 Lens/Shielding media*

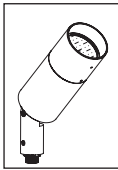
Cap Style A - 45° B - 90° C - Flush D - 45° less Weep Hole
(Interior Use Only) E - 90° less Weep Hole
(Interior Use Only)

B-K LIGHTING

40429 Brickyard Drive • Madera, CA 93636 • USA
 559.438.5800 • FAX 559.438.5900
 www.bklighting.com • info@bklighting.com

RELEASED
11-7-17

DRAWING NUMBER
SUB001113

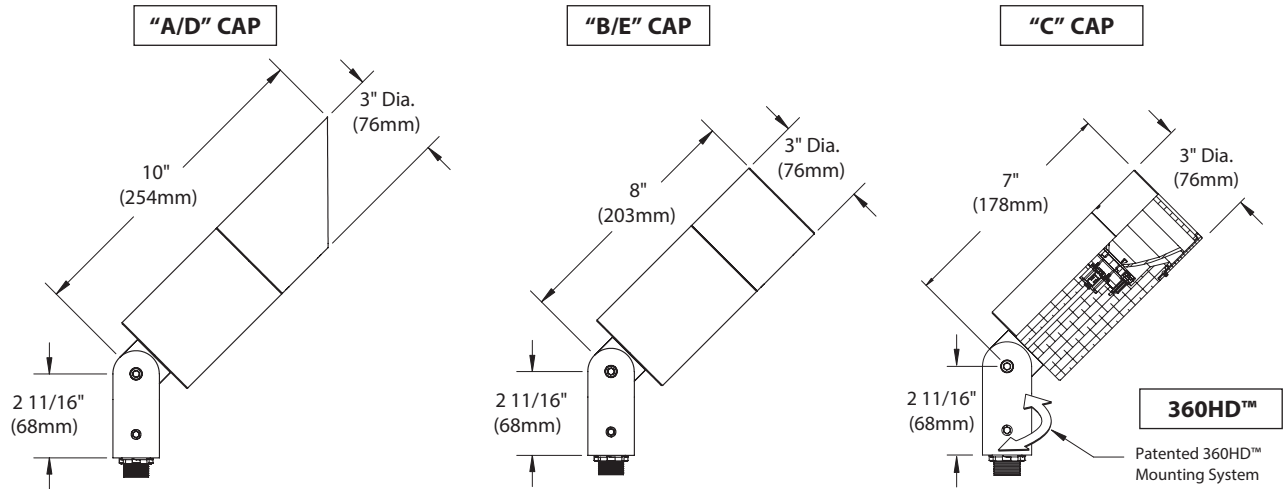


BKSSL
SOLID STATE LIGHTING
12-27W LED



DENALI SERIES™ FLOODLIGHT

PROJECT:	
TYPE:	

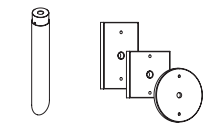


All dimensions indicated on this submittal are nominal. Contact Technical Sales if you require more stringent specifications.

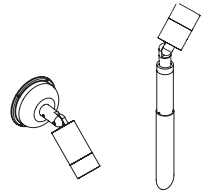
Accessories (Configure separately)

Drivers (Configure separately)

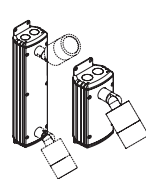
Mounting:



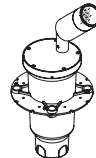
Power Pipe™ Canopies



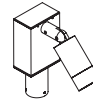
Power Canopy™ Power Pipe™



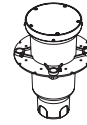
PM2D & PM2



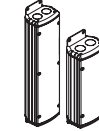
HP2



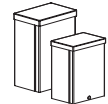
TMB



HP2RM



PM2DRM & PM2RM



RM & DRM

Drivers:

SPECIFICATIONS

GreenSource Initiative™

Metal and packaging components are made from recycled materials. Manufactured using renewable solar energy, produced on site. Returnable to manufacturer at end of life to ensure cradle-to-cradle handling. Packaging contains no chlorofluorocarbons (CFC's). Use of this product may qualify for GreenSource efficacy and recycling rebate(s). Consult www.bklighting.com/greensource for program requirements.

Materials

Furnished in Copper-Free Aluminum (Type 6061-T6).

Body

Fully machined from solid billet. Unibody design provides enclosed, water-proof wireway and integral heat sink for maximum component life. Integral knuckle for maximum mechanical strength. High temperature, silicone 'O' Ring provides water-tight seal.

Knuckle

Patented 360HD™ Mounting System features a mechanical taper-lock, which allows a full 180° vertical adjustment without the use of serrated teeth, which inherently limit aiming. High temperature, silicone 'O' Ring provides water-tight seal and compressive resistance to maintain fixture position. Design withstands 73 lb. static load prior to movement to ensure decades of optical alignment. ½" pipe thread for mounting. Biaxial source control additionally provides 360° horizontal rotation in addition to vertical adjustment. 'Aim-And-Lock' Technology allows precision adjustment without the redundant tightening and loosening of knuckle screw.

Cap

Fully machined. Accommodates [2] lens or louver media. Choose from 45° cutoff ('A' or 'D'), 1" deep bezel with 90° cutoff ('B' or 'E') or flush lens ('C') cap styles. 'A' and 'B' caps include weep-hole for water and debris drainage. 'D' and 'E' caps exclude weep-hole and are for interior use only.

Lens

Shock resistant, tempered, glass lens is factory adhered to fixture cap and provides hermetically sealed optical compartment.

BKSSL®

Integrated solid state system with 'x' technology is scalable for field upgrade. Modular design with electrical quick disconnects permit field maintenance.

LM-80 certified. Minimum 50,000 hour rated life at 70% of initial lumens (L70). BKSSL technology provides long life, significant energy reduction and exceptional thermal management.

Color Management

Corrected cold phosphor technology delivers near-perfect natural white light. Long term phosphor maintenance over product life. Exact color point conformity exceeds ANSI C78.377 standard. Provides uniform beam with no color variation over angle. Module exceeds 80 CRI (RA>80, R9>16).

Remote Driver

For use with remote LED driver. See remote driver submittal to determine remote distance and wiring requirements prior to detailing field installation of any remote wiring.

Optics

Interchangeable OPTIKIT™ modules permit field changes to optical distribution.

Wiring

Teflon® coated, 18AWG, 600V, 250° C rated and certified to UL 1659 standard.

Hardware

Tamper-resistant, stainless steel hardware. 360HD™ hardware is additionally black oxide treated for additional corrosion resistance.

Finish

StarGuard®, our exclusive RoHS compliant, 15 stage chromate-free process cleans and conversion coats aluminum components prior to application of Class 'A' TGIC polyester powder coating.

Warranty

5 year limited warranty.

Certification and Listing

UL tested to IESNA LM-79. UL Listed. Certified to CAN/CSA/ANSI Standards. RoHS compliant. Suitable for indoor or outdoor use. Suitable for use in wet locations. Additionally suitable for installation within 4' of the ground. IP66 Rated. Made in USA.



*Teflon is a registered trademark of DuPont Corporation.
*Energy Star is a registered trademark of the United States Environmental Protection Agency.

B-K LIGHTING

40429 Brickyard Drive • Madera, CA 93636 • USA
559.438.5800 • FAX 559.438.5900
www.bklighting.com • info@bklighting.com

RELEASED
11-7-17

DRAWING NUMBER
SUB001113

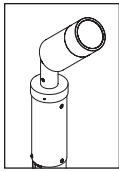
LM79 DATA				L70 DATA		OPTICAL DATA		
BK No.	CCT (Typ.)	CRI (Typ.)	Input Watts (Typ.)	Minimum Rated Life (hrs.) 70% of initial lumens (L70)		Angle	CBCP	Delivered Lumens
x58	2700K	80	12W	50,000		15°	3877	724
	2700K	80	12W	50,000		35°	1498	663
	2700K	80	12W	50,000		60°	629	625
x59	3000K	80	12W	50,000		15°	4059	758
	3000K	80	12W	50,000		35°	1568	694
	3000K	80	12W	50,000		60°	659	655
x60	4000K	80	12W	50,000		15°	4561	851
	4000K	80	12W	50,000		35°	1762	780
	4000K	80	12W	50,000		60°	740	736
x61	2700K	80	20W	50,000		15°	7098	1306
	2700K	80	20W	50,000		35°	2621	1124
	2700K	80	20W	50,000		60°	1048	1063
x62	3000K	80	20W	50,000		15°	7488	1378
	3000K	80	20W	50,000		35°	2765	1186
	3000K	80	20W	50,000		60°	1106	1121
x63	4000K	80	20W	50,000		15°	7800	1435
	4000K	80	20W	50,000		35°	2880	1235
	4000K	80	20W	50,000		60°	1152	1168
x64	2700K	80	27W	50,000		15°	15679	1769
	2700K	80	27W	50,000		35°	4656	1588
	2700K	80	27W	50,000		60°	1517	1386
x65	3000K	80	27W	50,000		15°	16190	1827
	3000K	80	27W	50,000		35°	4808	1640
	3000K	80	27W	50,000		60°	1567	1431
x66	4000K	80	27W	50,000		15°	17042	1923
	4000K	80	27W	50,000		35°	5061	1726
	4000K	80	27W	50,000		60°	1649	1506

FOR USE WITH

DE	Denali Series™ Floodlight
SM-DE	Denali Series™ Surface Downlight
TF-DE	Denali Series™ Twin Staff Star™
SF-DE	Denali Series™ Staff Star™
UL-DE	Denali Series™ Recessed Uplight
SN-DE	Denali Series™ Sign Star™
ST-DE	Denali Series™ Twin Sign Star™

OPTICS

Optic	Angle
Spot	15°
Flood	35°
Wide Flood	60°



Constant Current Driver

THE POWER OF



POWER PIPE II™ SYSTEM

PROJECT:	
TYPE:	
CATALOG NUMBER:	
SOURCE:	
NOTES:	

CATALOG NUMBER LOGIC



Example

Series

PPII - Power Pipe II™ System
(Specify Fixture Separately)

Type

- S12** - 12" Stake*
- J12** - 12" Junction Box*
- S18** - 18" Stake*
- J18** - 18" Junction Box*

* Includes 12" or 18" Power Pipe with Driver Housing

Driver Type

For use with Incandescent Dimmer. 120V only for Dimming:

- D12INC** - 12W Dimming Driver
- D20INC** - 20W Dimming Driver
- D27INC** - 27W Dimming Driver

Cap Style

- B** - Single Hole Cap

Input Voltage

- MT** - 120-277 VAC Input

Option

- SF** - Stability Flange

DRIVER ELECTRICAL DATA

TYPE	AC INPUT RANGE	FREQUENCY HZ	DIMMING	POWER FACTOR AT FULL LOAD	THD	OPERATING AMBIENT TEMPERATURE	DIMMER TYPE	DIMMER RANGE	IN RUSH CURRENT
D12INC	105-305	50/60	YES	>0.94	≤5%	-30°C to 50°C (-22°F to 122°F)	Incandescent	10-100%	<250mA
D20INC	105-305	50/60	YES	>0.94	≤5%	-30°C to 50°C (-22°F to 122°F)	Incandescent	10-100%	<250mA
D27INC	100-277	50/60	YES	>0.90	≤20%	-30°C to 60°C (-22°F to 140°F)	Incandescent	10-100%	<10A

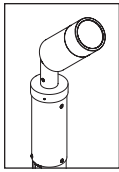
B-K LIGHTING

40429 Brickyard Drive • Madera, CA 93636 • USA
559.438.5800 • FAX 559.438.5900
www.bklighting.com • info@bklighting.com

RELEASED
12-15-16

DRAWING NUMBER
SUB001126

THIS DOCUMENT CONTAINS PROPRIETARY INFORMATION OF B-K LIGHTING, INC. AND ITS RECEIPT OR POSSESSION DOES NOT CONVEY ANY RIGHTS TO REPRODUCE, DISCLOSE ITS CONTENTS, OR TO MANUFACTURE, USE OR SELL ANYTHING IT MAY DESCRIBE. REPRODUCTION, DISCLOSURE OR USE WITHOUT SPECIFIC WRITTEN AUTHORIZATION OF B-K LIGHTING, INC. IS STRICTLY FORBIDDEN.



BKSSL
SOLID STATE LIGHTING

Constant Current Driver

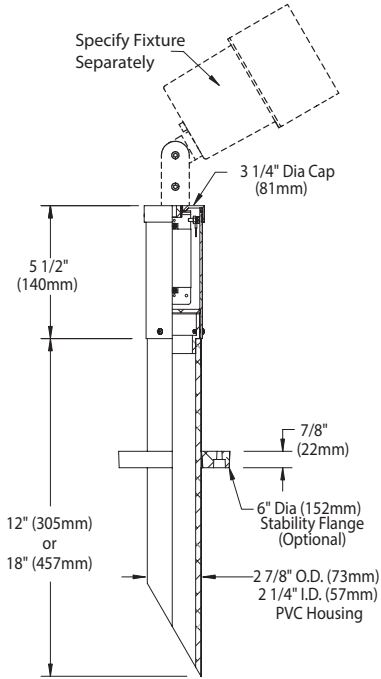


POWER PIPE II™ SYSTEM

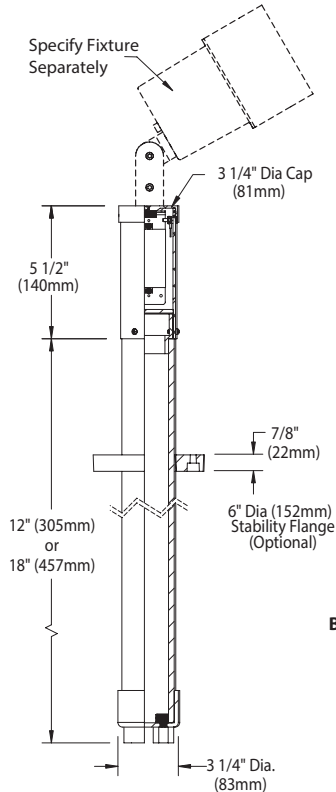
PROJECT:

TYPE:

STAKE (S)

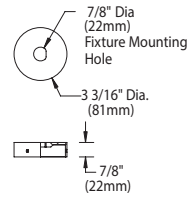


JUNCTION (J)

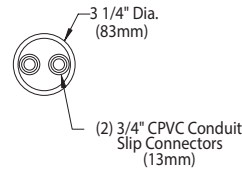


CAP STYLE

'B' Cap (Single Hole)



Bottom View of "J"



All dimensions indicated on this submittal are nominal. Contact Technical Sales if you require more stringent specifications.

SPECIFICATIONS

GreenSource Initiative™

Metal and packaging components are made from recycled materials. Manufactured using renewable solar energy, produced on site. Returnable to manufacturer at end of life to ensure cradle-to-cradle handling. Packaging contains no chlorofluorocarbons (CFC's). Use of this product may qualify for GreenSource efficacy and recycling rebate(s). Consult www.bklighting.com/greensource for program requirements.

Installation

Provides a clean, architectural transition from wiring system to fixture. 2" Schedule 80 PVC pipe. For direct burial into soil or concrete. Available in 12" or 18" length. Available in two installation types:

Stake (Type S)

60° angled bottom designed for use with conduit.

Junction Box (Type J)

Includes [2] 3/4" PVC slip connectors for branch circuit wiring.

Stability Flange

Optional 6" diameter, molded stability flange simplifies installation and projects into substrate to simplify installation and reinforce housing stability.

Cap Style

Machined from copper-free aluminum. Single Hole ('B') cap styles.

Driver Housing

Fully machined from copper-free aluminum. Stainless steel hardware. High temperature, silicone 'O' Ring provides watertight seal.

Driver

For use with 700mA (D12, D20, D27), Class A, constant current driver. 120-277VAC (nominal) primary input voltage. 50/60Hz. >0.94 Power Factor, <10.0A in-rush current, 0.25A input current, ≤5%THD (nominal at 120VAC full load). Output over-voltage, over-current, and short circuit protection with auto recovery. EMC: FCC47CFR Part 15 Class B compliant. Dimming driver for use with standard incandescent dimmers. 10-100% range.

Wiring

Teflon® coated wire, 18AWG, 600V, 250° C rated and certified to UL 1659 standard.

Hardware

Tamper resistant, stainless steel hardware.

Finish

StarGuard®, our exclusive RoHs compliant, 15 stage chromate-free process cleans and conversion coats aluminum components prior to application of Class 'A' TGIC polyester powder coating. Finish to match fixture (specified separately.)

Warranty

5 year limited warranty.

Listings

UL Listed. Certified to CAN/CSA/ANSI Standards. RoHs compliant. Made in USA.



*Teflon is a registered trademark of DuPont Corporation

B-K LIGHTING

40429 Brickyard Drive • Madera, CA 93636 • USA
559.438.5800 • FAX 559.438.5900
www.bklighting.com • info@bklighting.com

RELEASED
12-15-16

DRAWING NUMBER
SUB001126