

Power Pipe™ Installation



DENALI™ on POWER PIPE II™ SYSTEM



Warning






High Voltage



Hot Surface

**TOOLS
REQUIRED:**

-  3/16" & 5/64" Allen Wrench
 -  Waterproof Wire Connectors
 -  Phillips Screwdriver
- By Others**

INSTRUCTIONS PERTAINING TO A RISK OF FIRE, OR INJURY TO PERSONS IMPORTANT SAFETY INSTRUCTIONS

Lighted fixture is HOT!

WARNING - To reduce the risk of FIRE OR INJURY TO PERSONS:

Turn off/unplug and allow to cool before replacing LED. Fixture gets HOT quickly! Contact only switch/plug when turning on. Do not touch hot lens, guard, or enclosure. Keep fixture away from materials that may burn. Do not operate the luminaire fitting with a missing or damaged shield. Do not touch the source at any time. Use a soft cloth or gloves. Oil from skin may cause damage.

SAVE THESE INSTRUCTIONS

IMPORTANT SAFETY INFORMATION - READ, FOLLOW, AND SAVE ALL SAFETY AND INSTALLATION INSTRUCTIONS

- Product must be installed by a qualified person in a manner consistent with its intended use and in compliance with the National Electrical Code, Canadian Electrical Code, and all Local and Provincial Codes.
- Follow product label information and instructions.
- Qualified Personnel with appropriate personal protective equipment must perform all servicing of this product.
- Before wiring to power supply and during servicing, turn off and lock out power at fuse or circuit breaker before service.
- The use of accessory equipment not recommended by the manufacturer or installed contrary to instructions may cause an unsafe condition. The use of damaged components may cause an unsafe condition and void product warranty.
- Do not block light emanating from product in whole or part, as this may cause an unsafe condition.
- Never operate the fixture with missing or damaged lens. Lens must be cleaned on regular basis.
- Entire fixture may become extremely hot. Do not touch hot lens or fixture body.
- Replace LED assembly only with correct wattage and type of power supply appropriate for LED assembly.
- All gaskets, o-rings and sealing surfaces must be kept clean during installation and service; failure to do this may cause an unsafe condition and void product warranty.

IMPORTANT LISTINGS AND CERTIFICATIONS

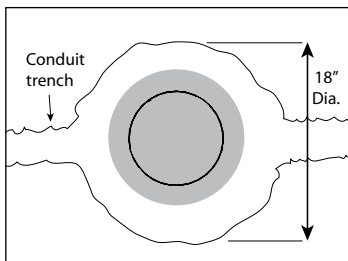
- Suitable for wet locations

Proper soil preparation is recommended before installation. See the DIG-IT guide at www.bklighting.com/dig-it for more information.

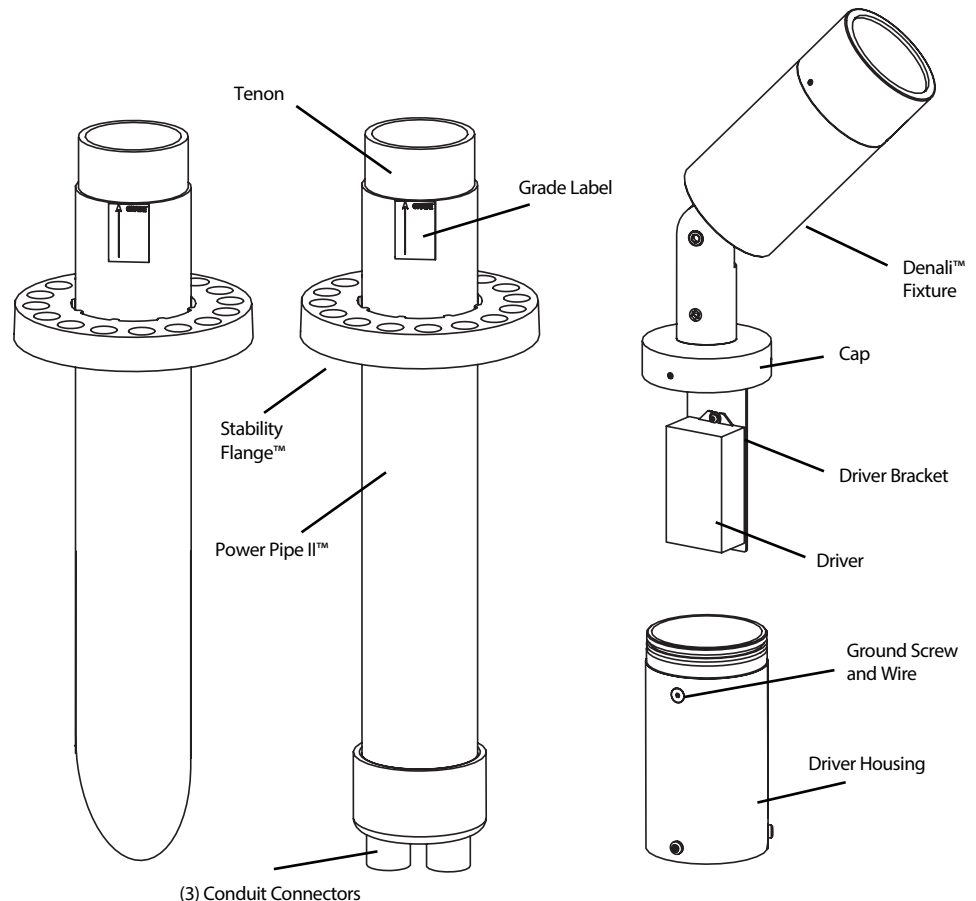
Soil Prep



- A. Determine Soil Type by referencing DIG-IT Guide. Prep soil according to DIG-IT Guide.



- B. Excavate a hole to the necessary dimensions for fixture placement and conduit runs.



IMPORTANT SAFETY INFORMATION - READ, FOLLOW, AND SAVE THESE INSTALLATION INSTRUCTIONS

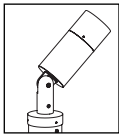
B-K LIGHTING

40429 Brickyard Drive • Madera, CA 93636 • USA
559.438.5800 • FAX 559.438.5900
www.bklighting.com • info@bklighting.com

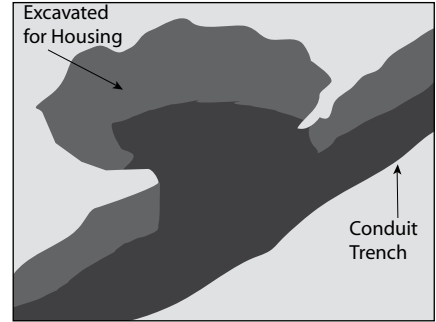
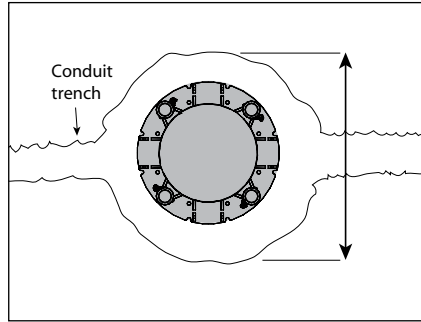
RELEASE DATE
11-9-16

DRAWING NUMBER
INS-2472-00

THIS DOCUMENT CONTAINS PROPRIETARY INFORMATION OF B-K LIGHTING AND ITS RECEIPT OR POSSESSION DOES NOT CONVEY ANY RIGHTS TO REPRODUCE, DISCLOSE ITS CONTENTS, OR TO MANUFACTURE, USE OR SELL ANYTHING IT MAY DESCRIBE. REPRODUCTION, DISCLOSURE OR USE WITHOUT SPECIFIC WRITTEN AUTHORIZATION OF TEKA ILLUMINATION IS STRICTLY FORBIDDEN.



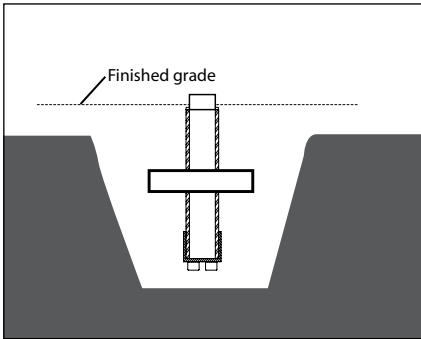
Junction Box Integral Driver Installation



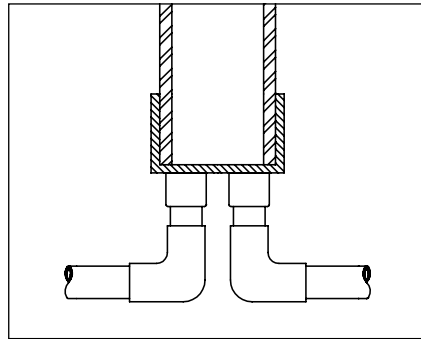
A. Determine Soil Type by referencing DIG-IT Guide. Prep soil according to DIG-IT Guide.

B. Dig hole 10" wide and 18" deep.

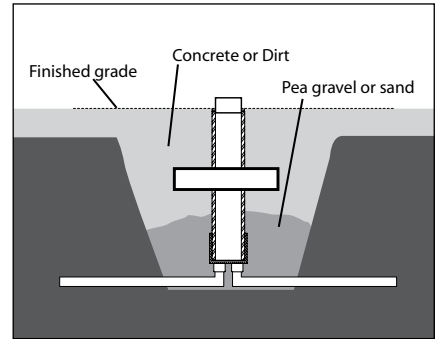
C. Prep soil according to DIG-IT Guide.



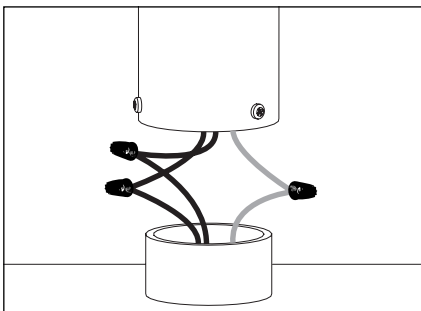
1. Excavate trench according to designed lighting plan. Dig hole a minimum of 24" deep and 10" wide to accommodate Power Pipe II™ at desired fixture locations.



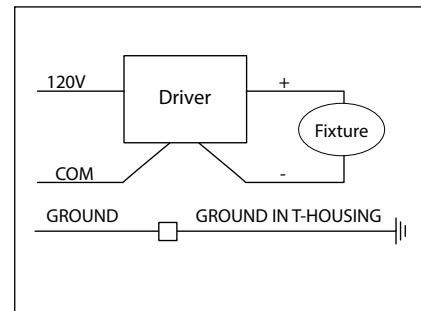
2. Connect conduit to the 3/4" conduit couplers attached to the bottom of the Power Pipe II™. Place Power Pipe II™ in hole.



3. Back fill hole with soil and/or prep for concrete.
4. Pull branch circuit wiring necessary for installation (By Others).

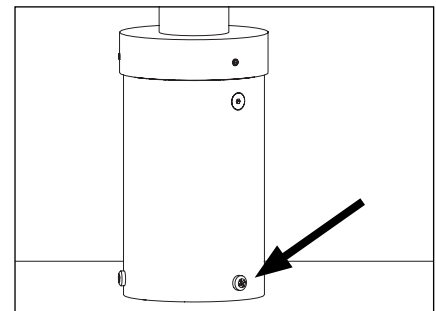


7. Make waterproof connections from branch circuit wiring to integral driver primary side using waterproof wire connectors. Connect incoming ground wire to green fixture wire. See wiring diagram.



WIRING DIAGRAM

⚠ All line voltage connections must be made in accordance to NEC standards.



8. Insert wires and connectors into Power Pipe™. Place fixture and cap on Power Pipe™.

9. Tighten three (3) Phillips screws using a Phillips screwdriver.

⚠ Failure to use waterproof wire connectors will cause fixture to fail and VOID PRODUCT WARRANTY.

**IMPORTANT SAFETY INFORMATION LISTED ON REVERSE
READ, FOLLOW, AND SAVE ALL SAFETY AND INSTALLATION INSTRUCTIONS**

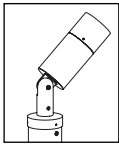


B-K LIGHTING

40429 Brickyard Drive • Madera, CA 93636 • USA
559.438.5800 • FAX 559.438.5900
www.bklighting.com • info@bklighting.com

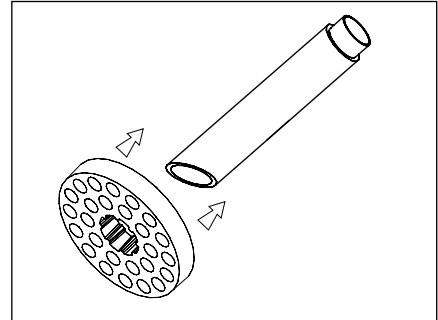
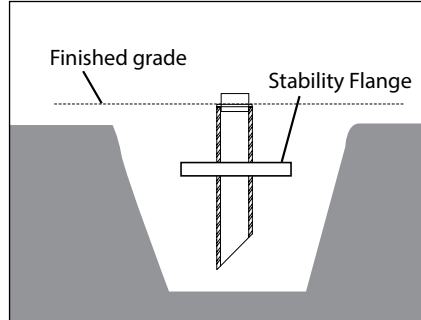
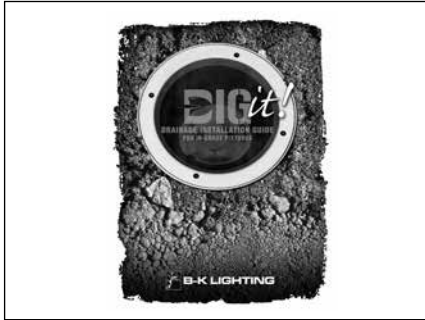
RELEASE DATE
11-9-16

DRAWING NUMBER
INS-2472-00

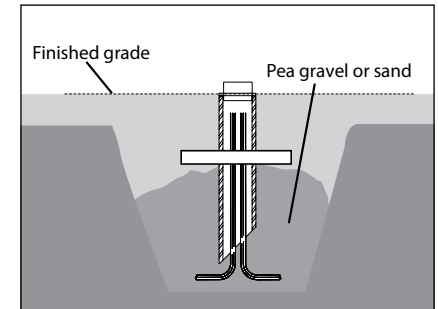
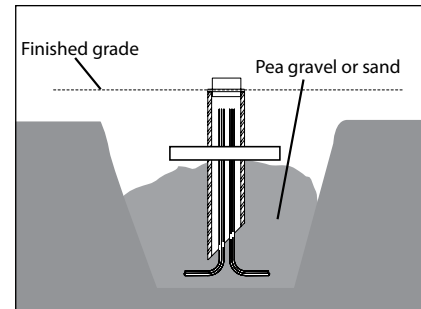
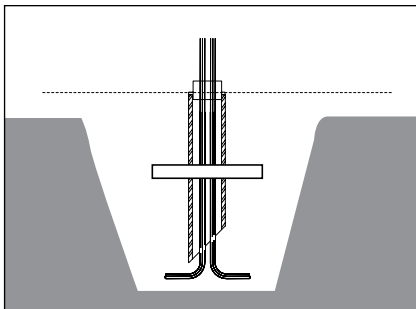


Stake Integral Driver Installation

DRIVER HOUSING MUST BE INSTALLED ABOVE GRADE. POWER PIPE™ IS LABELED AT GRADE LEVEL. DRIVER HOUSING INSTALLED BELOW GRADE WILL VOID WARRANTY

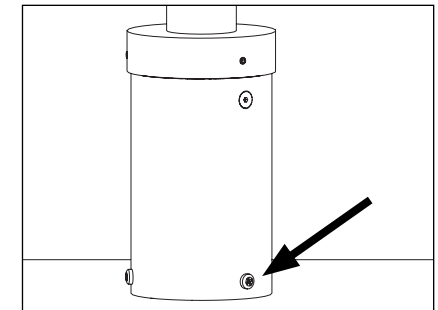
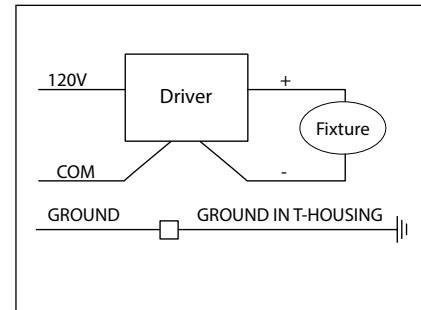
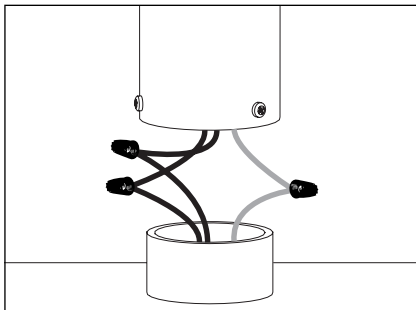


- Determine Soil Type by referencing DIG-IT Guide. Prep soil according to DIG-IT Guide.
- Excavate trench according to designed lighting plan. Dig hole a minimum of 24" deep and 10" wide to accommodate Power Pipe II™ at desired fixture locations.
- Slide Stability Flange onto Power Pipe II™. Use Stability Flange to aid in installation of Power Pipe II™.



- Pull low voltage wiring from remote driver to Power Pipe II™. Allow for additional cable to make connections to fixture leads and future service. Place Power Pipe II™ in hole.
- Back fill with pea gravel or sand prior to pour.
- Pour concrete (By Others).

⚠ Label on Power Pipe II™ indicates installation depth with finished grade.



- Make waterproof connections from branch circuit wiring to integral driver primary side using waterproof wire connectors. Connect incoming ground wire to green fixture wire. **See wiring diagram.**
- Insert wires and connectors into Power Pipe II™. Place fixture and cap on Power Pipe II™.
- Tighten three (3) Phillips screws using a Phillips screwdriver.

WIRING DIAGRAM

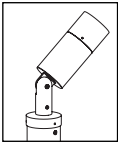
⚠ All line voltage connections must be made in accordance to NEC standards.

⚠ Failure to use waterproof wire connectors will cause fixture to fail and VOID PRODUCT WARRANTY.

IMPORTANT SAFETY INFORMATION LISTED ON REVERSE READ, FOLLOW, AND SAVE ALL SAFETY AND INSTALLATION INSTRUCTIONS



B-K LIGHTING	40429 Brickyard Drive • Madera, CA 93636 • USA 559.438.5800 • FAX 559.438.5900 www.bklighting.com • info@bklighting.com	RELEASE DATE 11-9-16	DRAWING NUMBER INS-2472-00
---------------------	---	-------------------------	-------------------------------



Power Pipe™ Installation



DENALI™ on POWER PIPE II™ SYSTEM



Warning

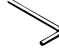




High Voltage



Hot Surface

TOOLS REQUIRED:

-  3/16" & 5/64" Allen Wrench
-  Waterproof Wire Connectors
-  Phillips Screwdriver

By Others

INSTRUCTIONS PERTAINING TO A RISK OF FIRE, OR INJURY TO PERSONS IMPORTANT SAFETY INSTRUCTIONS

Lighted fixture is HOT! WARNING - To reduce the risk of FIRE OR INJURY TO PERSONS:

Turn off/unplug and allow to cool before replacing LED. Fixture gets HOT quickly! Contact only switch/plug when turning on. Do not touch hot lens, guard, or enclosure. Keep fixture away from materials that may burn. Do not operate the luminaire fitting with a missing or damaged shield. Do not touch the source at any time. Use a soft cloth or gloves. Oil from skin may cause damage.

SAVE THESE INSTRUCTIONS

IMPORTANT SAFETY INFORMATION - READ, FOLLOW, AND SAVE ALL SAFETY AND INSTALLATION INSTRUCTIONS

- Product must be installed by a qualified person in a manner consistent with its intended use and in compliance with the National Electrical Code, Canadian Electrical Code, and all Local and Provincial Codes.
- Follow product label information and instructions.
- Qualified Personnel with appropriate personal protective equipment must perform all servicing of this product.
- Before wiring to power supply and during servicing, turn off and lock out power at fuse or circuit breaker before service.
- The use of accessory equipment not recommended by the manufacturer or installed contrary to instructions may cause an unsafe condition. The use of damaged components may cause an unsafe condition and void product warranty.
- Do not block light emanating from product in whole or part, as this may cause an unsafe condition.
- Never operate the fixture with missing or damaged lens. Lens must be cleaned on regular basis.
- Entire fixture may become extremely hot. Do not touch hot lens or fixture body.
- Replace LED assembly only with correct wattage and type of power supply appropriate for LED assembly.
- All gaskets, o-rings and sealing surfaces must be kept clean during installation and service; failure to do this may cause an unsafe condition and void product warranty.

IMPORTANT LISTINGS AND CERTIFICATIONS

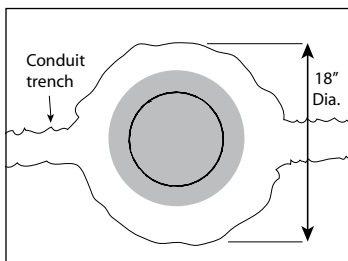
- Suitable for wet locations

Proper soil preparation is recommended before installation. See the DIG-IT guide at www.bklighting.com/dig-it for more information.

Soil Prep



- A. Determine Soil Type by referencing DIG-IT Guide. Prep soil according to DIG-IT Guide.



- B. Excavate a hole to the necessary dimensions for fixture placement and conduit runs.

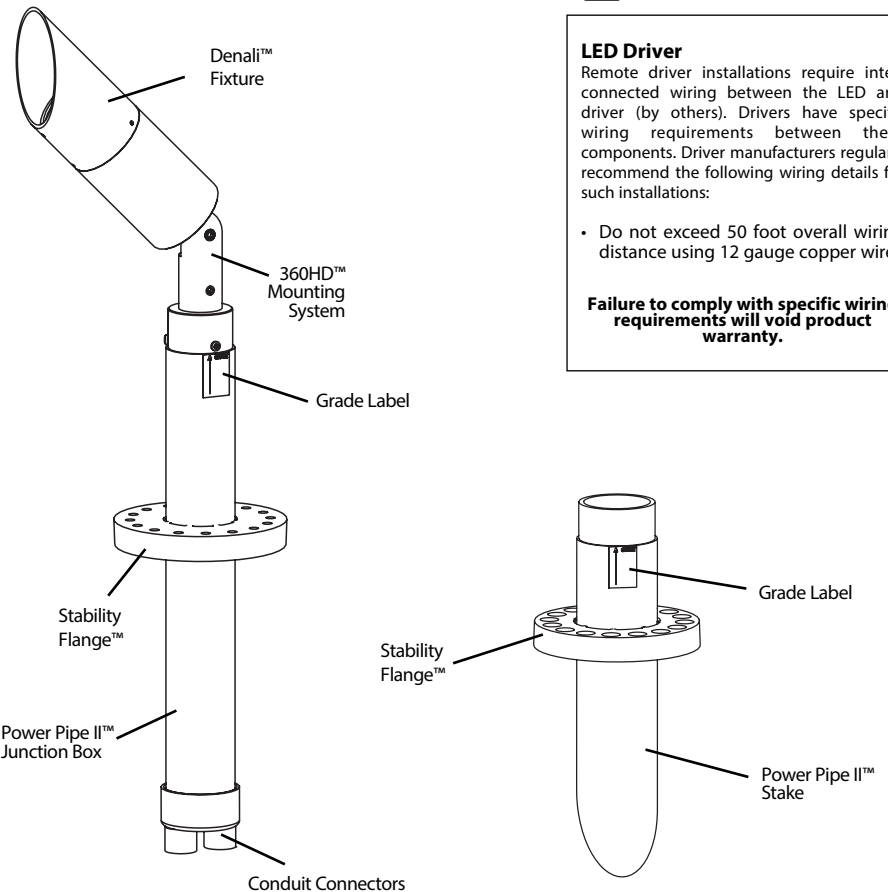
REMOTE WIRING

LED Driver

Remote driver installations require interconnected wiring between the LED and driver (by others). Drivers have specific wiring requirements between these components. Driver manufacturers regularly recommend the following wiring details for such installations:

- Do not exceed 50 foot overall wiring distance using 12 gauge copper wire.

Failure to comply with specific wiring requirements will void product warranty.



IMPORTANT SAFETY INFORMATION - READ, FOLLOW, AND SAVE THESE INSTALLATION INSTRUCTIONS

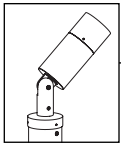
B-K LIGHTING

40429 Brickyard Drive • Madera, CA 93636 • USA
559.438.5800 • FAX 559.438.5900
www.bklighting.com • info@bklighting.com

RELEASE DATE
11-9-16

DRAWING NUMBER
INS-2472-01

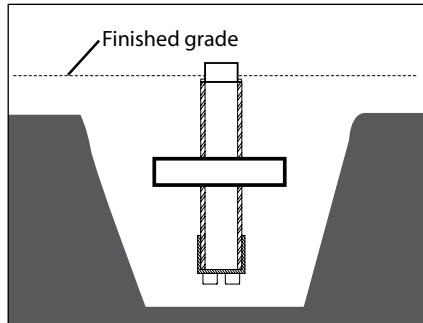
THIS DOCUMENT CONTAINS PROPRIETARY INFORMATION OF B-K LIGHTING AND ITS RECEIPT OR POSSESSION DOES NOT CONVEY ANY RIGHTS TO REPRODUCE, DISCLOSE ITS CONTENTS, OR TO MANUFACTURE, USE OR SELL ANYTHING IT MAY DESCRIBE. REPRODUCTION, DISCLOSURE OR USE WITHOUT SPECIFIC WRITTEN AUTHORIZATION OF TEKA ILLUMINATION IS STRICTLY FORBIDDEN.



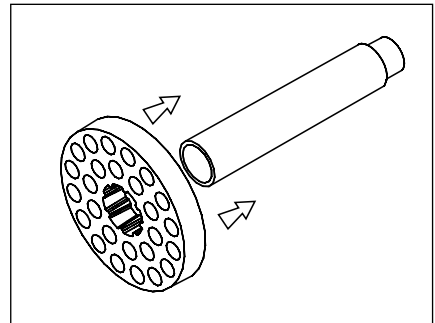
Junction Box Remote Driver Installation



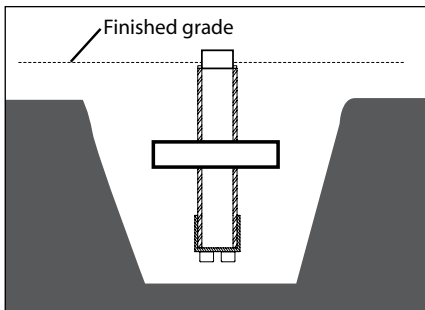
1. Determine Soil Type by referencing DIG-IT Guide. Prep soil according to DIG-IT Guide.



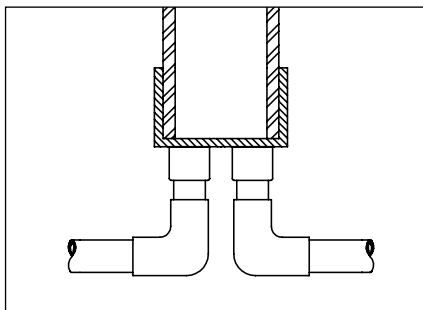
2. Excavate trench according to designed lighting plan. Dig hole a minimum of 24" deep and 10" wide to accommodate Power Pipe™ at desired fixture locations.



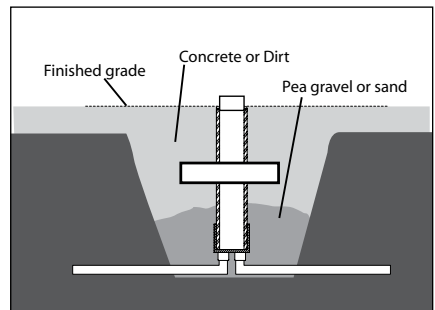
3. Slide Stability Flange onto Power Pipe™. Use Stability Flange to aid in installation of Power Pipe™.



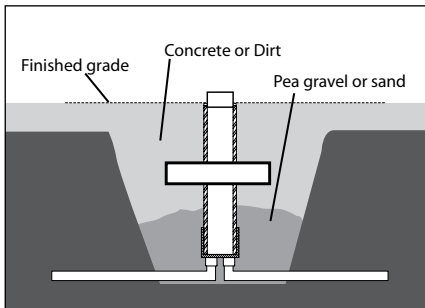
4. Pull secondary wiring from remote driver to Power Pipe™. Allow for additional cable to make connections to fixture lead, future service and stem length adjustment. Place Power Pipe™ in hole.



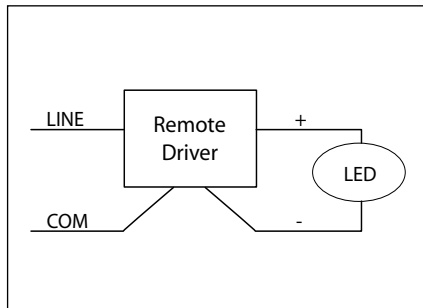
5. Connect conduit to the conduit couplers attached to the bottom of the Power Pipe™. Place Power Pipe™ in hole.



6. Back fill with pea gravel or sand prior to pour.

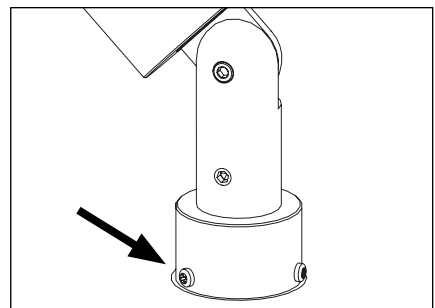


7. Pour concrete (By Others).



WIRING DIAGRAM

8. Make waterproof connections from remote driver to fixture leads using supplied waterproof wire connectors. See wiring diagram.



9. Insert wires and connectors into Power Pipe™. Place fixture on Power Pipe™.

10. Tighten three (3) #10-32 set screws using Phillips screwdriver.

⚠ Label on Power Pipe™ indicates installation depth with finished grade.

⚠ Failure to use waterproof wire connectors will cause fixture to fail and VOID PRODUCT WARRANTY.

**IMPORTANT SAFETY INFORMATION LISTED ON REVERSE
READ, FOLLOW, AND SAVE ALL SAFETY AND INSTALLATION INSTRUCTIONS**

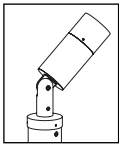


B-K LIGHTING

40429 Brickyard Drive • Madera, CA 93636 • USA
559.438.5800 • FAX 559.438.5900
www.bklighting.com • info@bklighting.com

RELEASE DATE
11-9-16

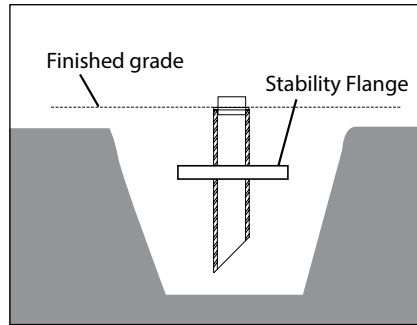
DRAWING NUMBER
INS-2472-01



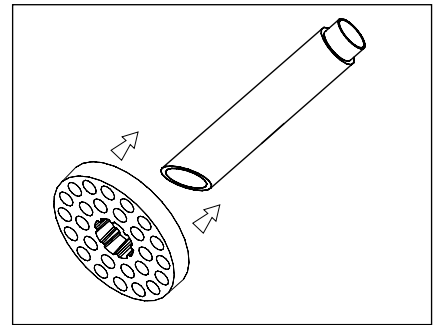
Stake Remote Driver Installation



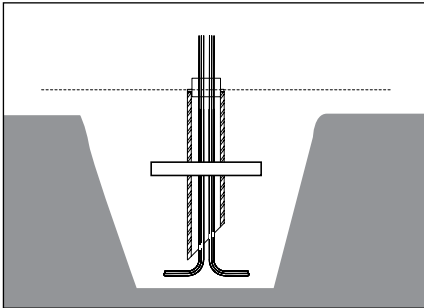
1. Determine Soil Type by referencing DIG-IT Guide. Prep soil according to DIG-IT Guide.



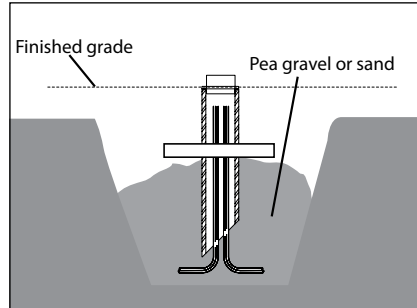
2. Excavate trench according to designed lighting plan. Dig hole a minimum of 24" deep and 10" wide to accommodate Power Pipe II™ at desired fixture locations.



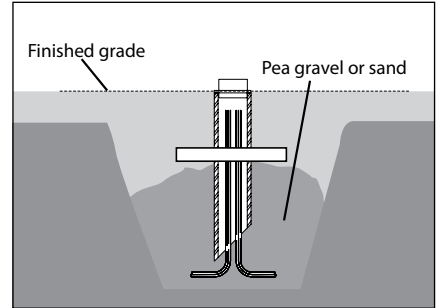
3. Slide Stability Flange onto Power Pipe II™. Use Stability Flange to aid in installation of Power Pipe II™.



4. Pull low voltage wiring from remote driver to Power Pipe II™. Allow for additional cable to make connections to fixture leads and future service. Place Power Pipe II™ in hole.

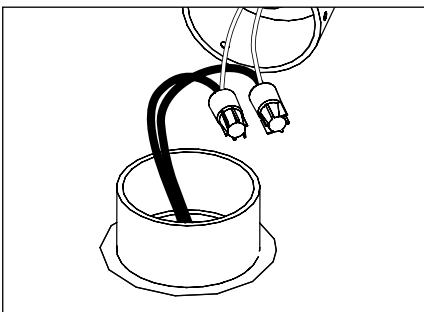


5. Back fill with pea gravel or sand prior to pour.

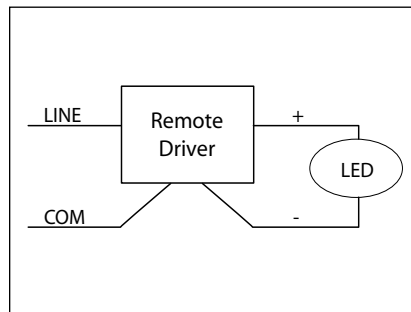


6. Pour concrete (By Others).

⚠ Label on Power Pipe™ indicates installation depth with finished grade.

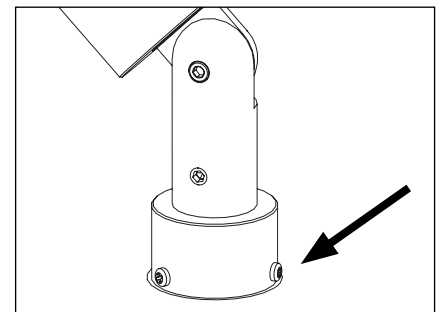


7. Make waterproof connections from remote driver secondary side to fixture secondary leads using waterproof wire connectors. **See wiring diagram.**



WIRING DIAGRAM

⚠ Failure to use waterproof wire connectors will cause fixture to fail and VOID PRODUCT WARRANTY.



8. Insert wires and connectors into Power Pipe™. Place fixture and cap on Power Pipe™.

9. Tighten three (3) Phillips screws using a Phillips screwdriver.

**IMPORTANT SAFETY INFORMATION LISTED ON REVERSE
READ, FOLLOW, AND SAVE ALL SAFETY AND INSTALLATION INSTRUCTIONS**



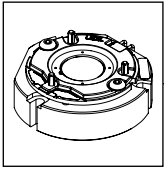
B-K LIGHTING

40429 Brickyard Drive • Madera, CA 93636 • USA
559.438.5800 • FAX 559.438.5900
www.bklighting.com • info@bklighting.com

RELEASE DATE
11-9-16

DRAWING NUMBER
INS-2472-01

THIS DOCUMENT CONTAINS PROPRIETARY INFORMATION OF B-K LIGHTING AND ITS RECEIPT OR POSSESSION DOES NOT CONVEY ANY RIGHTS TO REPRODUCE, DISCLOSE ITS CONTENTS, OR TO MANUFACTURE, USE OR SELL ANYTHING IT MAY DESCRIBE. REPRODUCTION, DISCLOSURE OR USE WITHOUT SPECIFIC WRITTEN AUTHORIZATION OF TEKA ILLUMINATION IS STRICTLY FORBIDDEN.



LED BOARD / OPTICS

Power of X (x64-x66)

Standard Installation Replacement



Warning



Hot Surface

TOOLS
NEEDED:



.050" & 5/64" Allen Wrench

By Others

INSTRUCTIONS PERTAINING TO A RISK OF FIRE, OR INJURY TO PERSONS IMPORTANT SAFETY INSTRUCTIONS

Lighted fixture is HOT!

**WARNING - To reduce the risk of
FIRE OR INJURY TO PERSONS:**

Turn off/unplug and allow to cool before replacing LED. Fixture gets HOT quickly! Contact only switch/plug when turning on. Do not touch hot lens, guard, or enclosure. Keep fixture away from materials that may burn. Do not operate the luminaire fitting with a missing or damaged shield. Do not touch the source at any time. Use a soft cloth or gloves. Oil from skin may cause damage.

SAVE THESE INSTRUCTIONS

IMPORTANT SAFETY INFORMATION - READ, FOLLOW, AND SAVE ALL SAFETY AND INSTALLATION INSTRUCTIONS

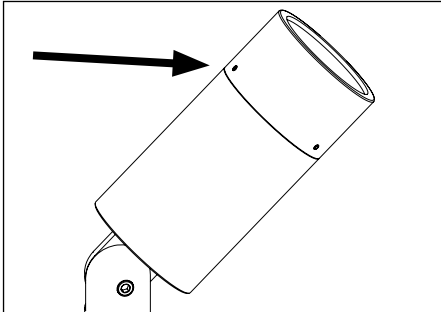
- Product must be installed by a qualified person in a manner consistent with its intended use and in compliance with the National Electrical Code, Canadian Electrical Code, and all Local and Provincial Codes.
- Follow product label information and instructions.
- Qualified Personnel with appropriate personal protective equipment must perform all servicing of this product.
- Before wiring to power supply and during servicing, turn off and lock out power at fuse or circuit breaker before service.
- The use of accessory equipment not recommended by the manufacturer or installed contrary to instructions may cause an unsafe condition. The use of damaged components may cause an unsafe condition and void product warranty.
- Do not block light emanating from product in whole or part, as this may cause an unsafe condition.
- Never operate the fixture with missing or damaged lens. Lens must be cleaned on regular basis.
- Entire fixture may become extremely hot. Do not touch hot lens or fixture body.
- Replace LED assembly only with correct wattage and type of power supply appropriate for LED assembly.
- All gaskets, o-rings and sealing surfaces must be kept clean during installation and service; failure to do this may cause an unsafe condition and void product warranty.

IMPORTANT LISTINGS AND CERTIFICATIONS

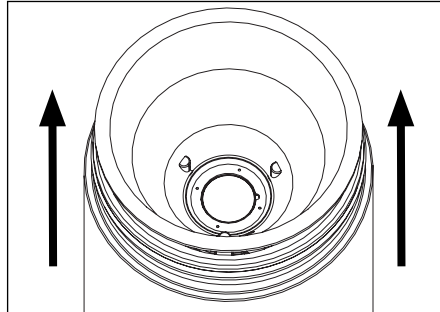
- Suitable for wet locations



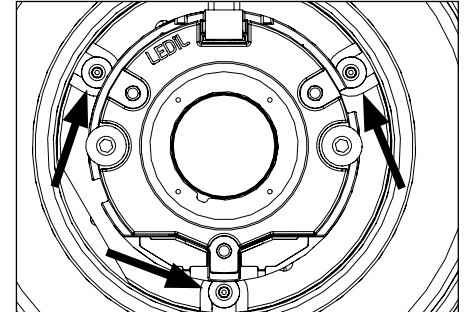
This product is available with field replaceable components. Exclusive interchangeable OPTIKITS and modular LED components with quick disconnects simplifies upgrades and maintenance when necessary.



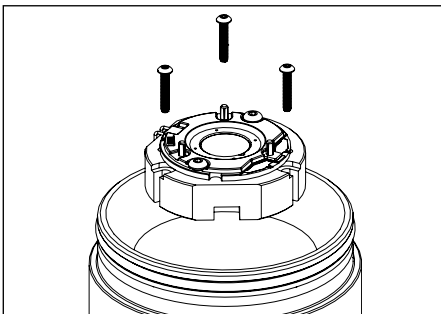
1. Use 5/64" Allen wrench to slightly loosen three (3) #8-32 stainless steel set screws to remove cap.



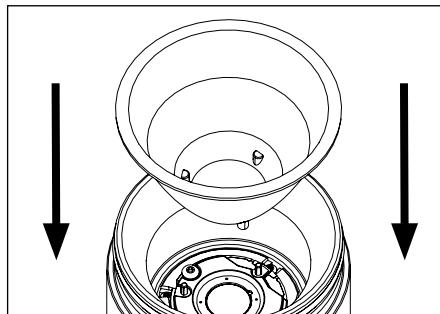
2. Remove optic by pulling gently and lift up.



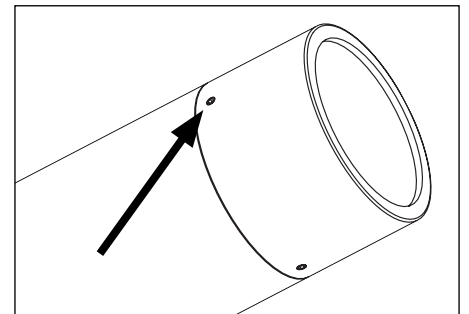
3. Use .050" Allen wrench to loosen three (3) set screws holding LED module. Gently lift from fixture.



4. Gently lift LED module and disconnect from fixture. Install new LED module. Secure set screws using .050" Allen wrench.



5. Replace optic by lining notches with optic holder, then pressing down gently until secured into place.



6. Place cap on fixture and tighten set screws. Tighten screw to 1/2 in-lbs. Top of screws should sit flush with fixture cap.



Do not pull on connector or wiring. Handle with care.



Warning: Do not over tighten set screws. Doing so will compromise O-Ring seal and will void warranty.

IMPORTANT SAFETY INFORMATION - READ, FOLLOW, AND SAVE THESE INSTALLATION INSTRUCTIONS

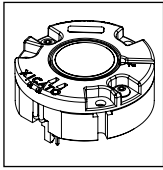
B-K LIGHTING

40429 Brickyard Drive • Madera, CA 93636 • USA
559.438.5800 • FAX 559.438.5900
www.bklighting.com • info@bklighting.com

RELEASED
12-19-16

REFERENCE NUMBER
INS000011

THIS DOCUMENT CONTAINS PROPRIETARY INFORMATION OF B-K LIGHTING, INC. AND ITS RECEIPT OR POSSESSION DOES NOT CONVEY ANY RIGHTS TO REPRODUCE, DISCLOSE ITS CONTENTS, OR TO MANUFACTURE, USE OR SELL ANYTHING IT MAY DESCRIBE. REPRODUCTION, DISCLOSURE OR USE WITHOUT SPECIFIC WRITTEN AUTHORIZATION OF B-K LIGHTING, INC. IS STRICTLY FORBIDDEN.



Standard Installation Replacement



LED BOARD / OPTICS

Power of X (x58-x63)



Warning



Hot Surface

TOOLS
NEEDED:



.050" & 5/64" Allen Wrench

By Others

INSTRUCTIONS PERTAINING TO A RISK OF FIRE, OR INJURY TO PERSONS IMPORTANT SAFETY INSTRUCTIONS

Lighted fixture is HOT!

WARNING - To reduce the risk of FIRE OR INJURY TO PERSONS:

Turn off/unplug and allow to cool before replacing LED. Fixture gets HOT quickly! Contact only switch/plug when turning on. Do not touch hot lens, guard, or enclosure. Keep fixture away from materials that may burn. Do not operate the luminaire fitting with a missing or damaged shield. Do not touch the source at any time. Use a soft cloth or gloves. Oil from skin may cause damage.

SAVE THESE INSTRUCTIONS

IMPORTANT SAFETY INFORMATION - READ, FOLLOW, AND SAVE ALL SAFETY AND INSTALLATION INSTRUCTIONS

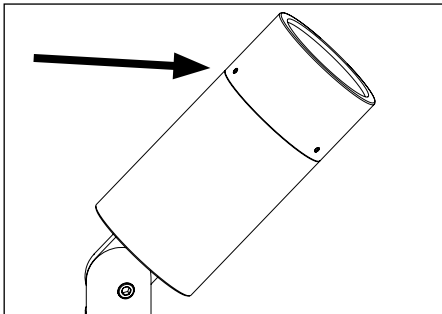
- Product must be installed by a qualified person in a manner consistent with its intended use and in compliance with the National Electrical Code, Canadian Electrical Code, and all Local and Provincial Codes.
- Follow product label information and instructions.
- Qualified Personnel with appropriate personal protective equipment must perform all servicing of this product.
- Before wiring to power supply and during servicing, turn off and lock out power at fuse or circuit breaker before service.
- The use of accessory equipment not recommended by the manufacturer or installed contrary to instructions may cause an unsafe condition. The use of damaged components may cause an unsafe condition and void product warranty.
- Do not block light emanating from product in whole or part, as this may cause an unsafe condition.
- Never operate the fixture with missing or damaged lens. Lens must be cleaned on regular basis.
- Entire fixture may become extremely hot. Do not touch hot lens or fixture body.
- Replace LED assembly only with correct wattage and type of power supply appropriate for LED assembly.
- All gaskets, o-rings and sealing surfaces must be kept clean during installation and service; failure to do this may cause an unsafe condition and void product warranty.

IMPORTANT LISTINGS AND CERTIFICATIONS

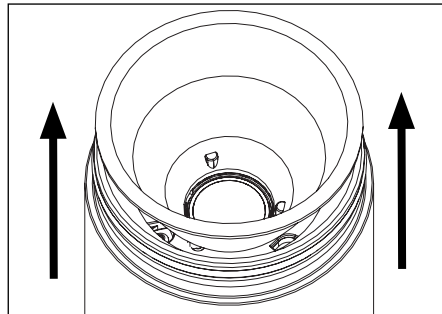
- Suitable for wet locations



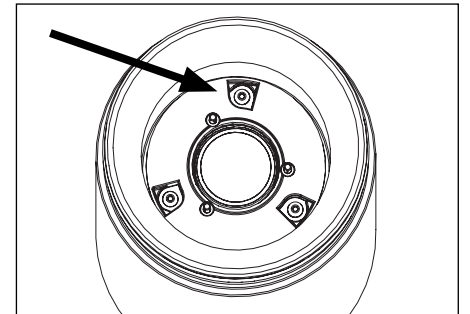
This product is available with field replaceable components. Exclusive interchangeable OPTIKITS and modular LED components with quick disconnects simplifies upgrades and maintenance when necessary.



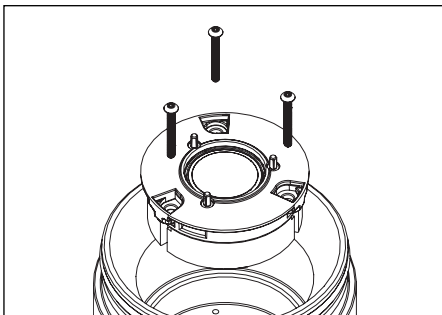
1. Use 5/64" Allen wrench to slightly loosen three (3) #8-32 stainless steel set screws to remove cap.



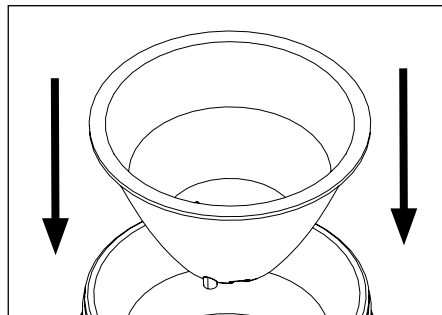
2. Remove optic by pulling gently and lift up.



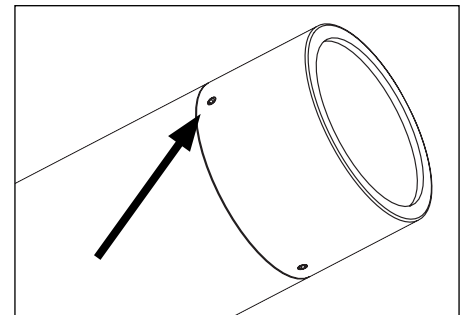
3. Use .050" Allen wrench to loosen three (3) set screws holding optic holder and LED module.



4. Gently lift LED module and disconnect from fixture. Install new LED module. Secure set screws through LED module and optic holder using .050" Allen wrench.



5. Replace optic by lining tabs with optic holder, then pressing down gently until secured into place.



6. Place cap on fixture and tighten set screws. Tighten screw to 1/2 in-lbs. Top of screws should sit flush with fixture cap.



Do not pull on connector or wiring. Handle with care.



Warning: Do not over tighten set screws. Doing so will compromise O-Ring seal and will void warranty.

IMPORTANT SAFETY INFORMATION - READ, FOLLOW, AND SAVE THESE INSTALLATION INSTRUCTIONS

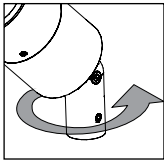
B-K LIGHTING

40429 Brickyard Drive • Madera, CA 93636 • USA
559.438.5800 • FAX 559.438.5900
www.bklighting.com • info@bklighting.com

RELEASED
12-19-16

REFERENCE NUMBER
INS000010

THIS DOCUMENT CONTAINS PROPRIETARY INFORMATION OF B-K LIGHTING, INC. AND ITS RECEIPT OR POSSESSION DOES NOT CONVEY ANY RIGHTS TO REPRODUCE, DISCLOSE ITS CONTENTS, OR TO MANUFACTURE, USE OR SELL ANYTHING IT MAY DESCRIBE. REPRODUCTION, DISCLOSURE OR USE WITHOUT SPECIFIC WRITTEN AUTHORIZATION OF B-K LIGHTING, INC. IS STRICTLY FORBIDDEN.



Standard Adjustment



Warning



Hot Surface

360HD™ Mounting System

**TOOLS
NEEDED:**



3/16" Allen wrench

By Others

INSTRUCTIONS PERTAINING TO A RISK OF FIRE, OR INJURY TO PERSONS IMPORTANT SAFETY INSTRUCTIONS

Lighted lamp is HOT!

WARNING - To reduce the risk of FIRE OR INJURY TO PERSONS:
Turn off/unplug and allow to cool before replacing lamp.
Lamp gets HOT quickly! Contact only switch/plug when
turning on.

Do not touch hot lens, guard, or enclosure (see diagram/
picture).

Keep lamp away from materials that may burn.
Do not touch the lamp at any time. Use a soft cloth. Oil
from skin may damage lamp.

Do not operate the luminaire fitting with a missing or
damaged shield.

SAVE THESE INSTRUCTIONS

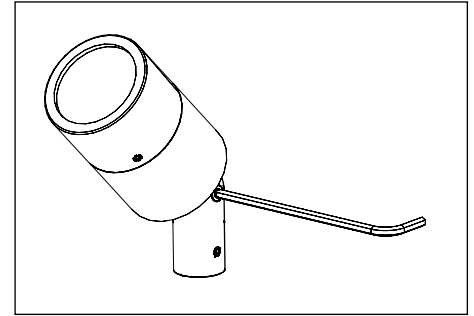
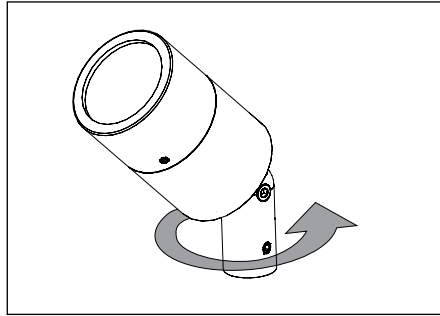
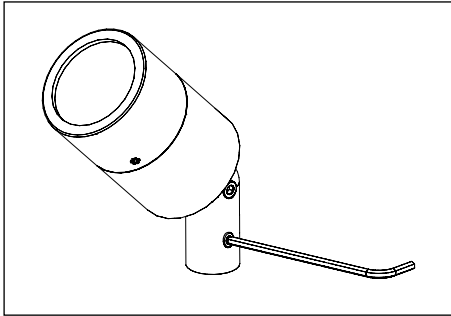
IMPORTANT SAFETY INFORMATION - READ, FOLLOW, AND SAVE ALL SAFETY AND INSTALLATION INSTRUCTIONS

- Product must be installed by a qualified person in a manner consistent with its intended use and in compliance with the National Electrical Code, Canadian Electrical Code, and all Local and Provincial Codes.
- Follow product label information and instructions.
- Qualified Personnel must perform all servicing or relamping of this product.
- Before wiring to power supply and during servicing or relamping, turn off power at fuse or circuit breaker before service.
- The use of accessory equipment not recommended by the manufacturer or installed contrary to instructions may cause an unsafe condition. The use of damaged components may cause an unsafe condition and void product warranty.
- Do not block light emanating from product in whole or part, as this may cause an unsafe condition.
- Never operate the fixture with missing or damaged lens. Lens must be cleaned on regular basis.
- Entire fixture may become extremely hot. Do not touch hot lens or fixture body. Do not touch the lamp at any time. Use a clean, dry, soft cloth to handle the lamp. Oil from skin may damage the lamp and cause it to rupture.
- Replace lamp only with correct wattage and type of lamp marked on fixture label.
- All gaskets, O-rings and sealing surfaces must be kept clean during installation and service; failure to do this may cause an unsafe condition and void product warranty.

IMPORTANT LISTINGS AND CERTIFICATIONS

- Suitable for wet locations • Additionally suitable for mounting within 4 ft. of the ground

360HD™ Knuckle



- Use 3/16" Allen wrench to slightly loosen (1) 3/8"-16 x 3/8" stainless steel black oxide set screw on the stem for 360° aiming purpose.
- Rotate fixture at base and aim fixture to desired horizontal location.
- Use 3/16" Allen wrench to loosen (1) 1/4"-28 x 1-1/4" stainless steel black oxide socket head cap screw at the knuckle for vertical aiming purpose.
- Tighten (1) 3/8"-16 x 3/8" stainless steel black oxide set screw on the stem to secure horizontal aiming position.

Tighten (1) 1/4"-28 x 1-1/4" stainless steel black oxide socket head cap screw to 24" minimum to 48" maximum pounds to secure vertical aiming position

Warning: Do not over tighten set screw. Doing so will compromise O-ring seal and will void warranty.

IMPORTANT SAFETY INFORMATION - READ, FOLLOW, AND SAVE THESE INSTALLATION INSTRUCTIONS

B-K LIGHTING

40429 Brickyard Drive • Madera, CA 93636 • USA
559.438.5800 • FAX 559.438.5900
www.bklighting.com • info@bklighting.com

RELEASED
1-31-14

REFERENCE NUMBER
INS-2096-00

THIS DOCUMENT CONTAINS PROPRIETARY INFORMATION OF B-K LIGHTING, INC. AND ITS RECEIPT OR POSSESSION DOES NOT CONVEY ANY RIGHTS TO REPRODUCE, DISCLOSE ITS CONTENTS, OR TO MANUFACTURE, USE OR SELL ANYTHING IT MAY DESCRIBE. REPRODUCTION, DISCLOSURE OR USE WITHOUT SPECIFIC WRITTEN AUTHORIZATION OF B-K LIGHTING, INC. IS STRICTLY FORBIDDEN.