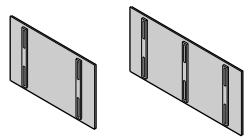


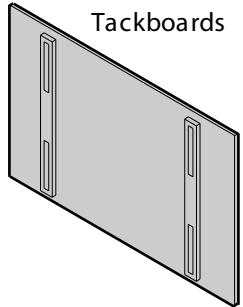
Desk or Wall-Mount Tackboards

turnstone®

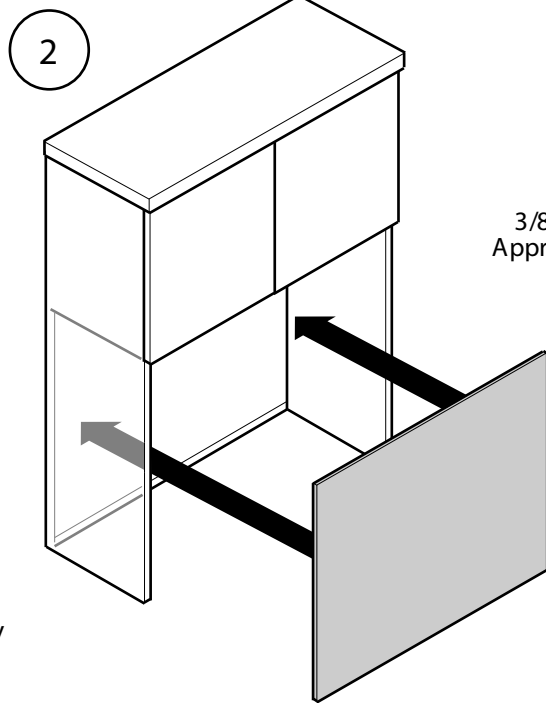
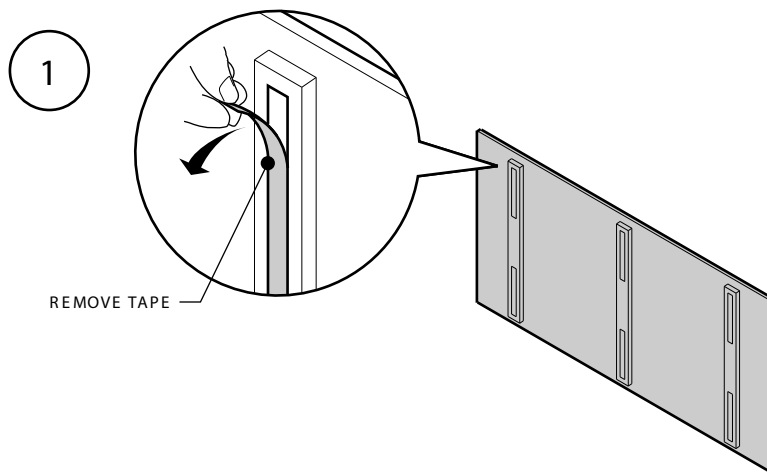
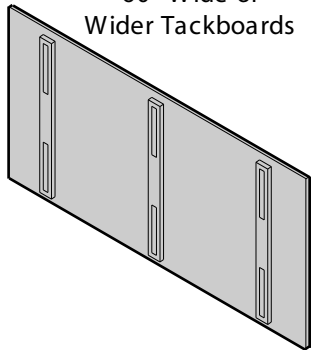


Tackboards

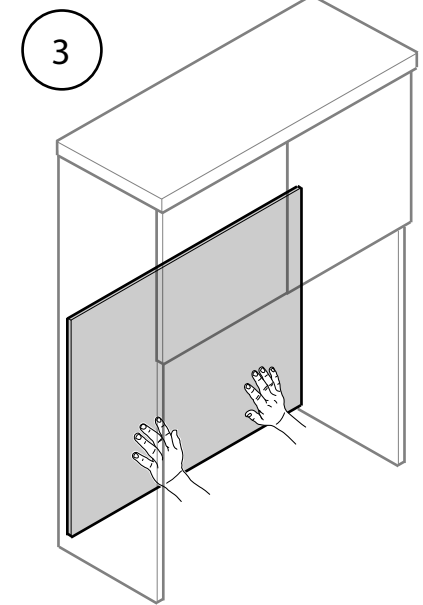
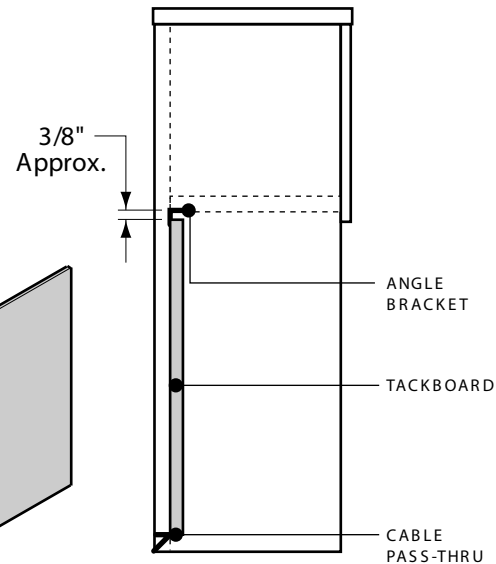
36" Wide to 48" Wide
Tackboards



60" Wide or
Wider Tackboards



Side View



NOTE: Actual components may vary
in appearance from the diagram,
depending upon unit sizes, etc.

INSTALL TACKBOARD TO A WALL

1. Determine the location of the tackboard and mounting spacers.

INSTALLATION TIP:
Alternative Method to Measuring and Locating Mounting Spacers.

1. Add 1/2" long screws or nails to holes in mounting spacers.
2. Position tackboard over desired location.
3. Press lightly over the spacers to transfer the mounting spacer screw hole locations to wall.

2. Install mounting spacers with wall anchors and screws recommended by builder.

3. Position tackboard and apply pressure over the velcro areas.

