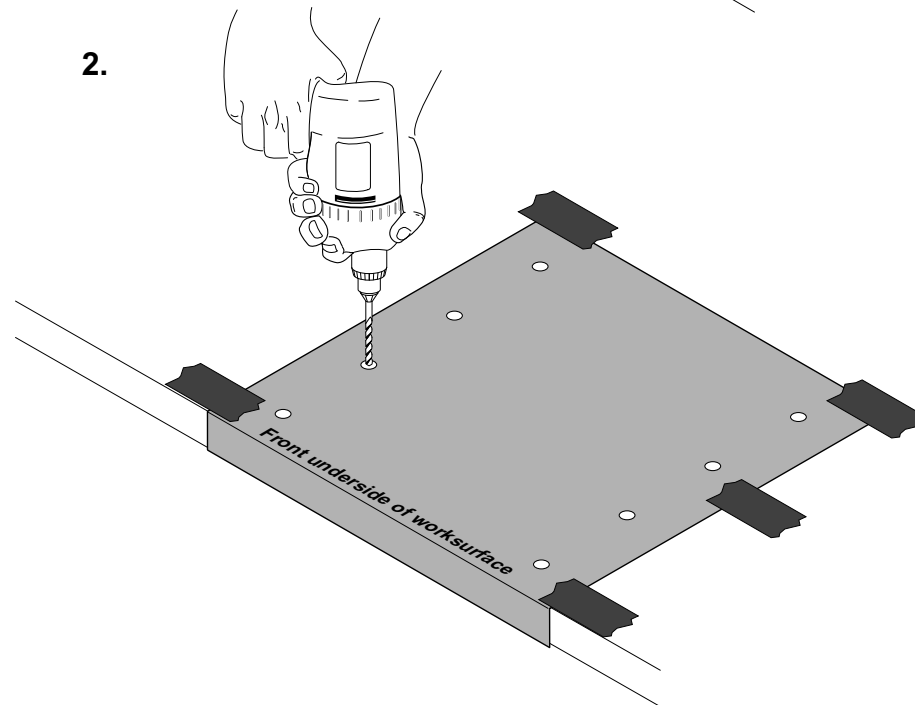
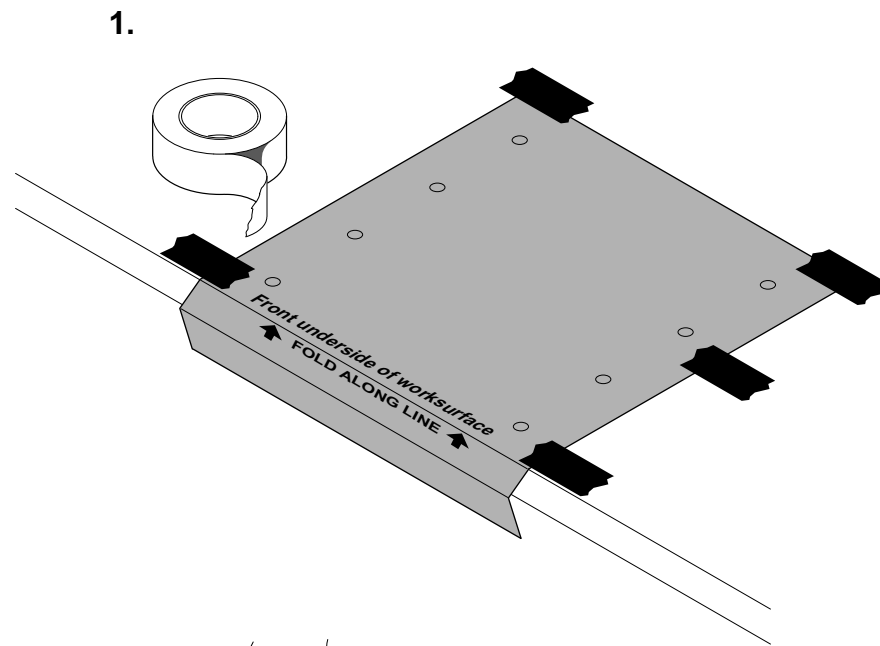


If you have a problem, question, or request, call your local dealer, or Steelcase Line 1 at **888.STEELCASE** (888.783.3522) for immediate action by people who want to help you. (Outside the U.S.A., Canada, Mexico, Puerto Rico, and the U.S. Virgin Islands, call: 1.616.247.2500) Or visit our website: www.steelcase.com

© 2004 Steelcase Inc.
Grand Rapids, MI 49501
U.S.A.
Printed in U.S.A.

1. Position template to underside of worksurface and tape into place.

2. Using the template as a guide, drill holes 1/8" diameter, 3/4" maximum depth.



3. Remove template. Mount drawer tracks.
4. Turn worksurface over and insert drawer.

